



**RU1S041-3D4 LF**

“LAN-MATE” SERIES

SINGLE RJ45 CONNECTOR MODULE WITH INTEGRATED 10/100 BASE-TX MAGNETICS AND LEDS

P/N: RU1S041-3D4 LF

**Feature**



- RJ-45 needs to be matched FCC standard
- Complies with requirement of IEEE802.3u standards.
- RJ 45 connector with 10/100 BASE-TX magnetic.
- Meet UL safety standard.
- Includes integrated 2 LEDS(option).
- LEDS signal leads are isolated from the Ethernet signal leads to reduce EMI and cross talk.
- Comply with RoHS requirements-whole part No Cd, No Hg, No Cr6+, No PBB and PBDE and No Pb on external pins.
- Operating temperature range: 0 to +70 .
- Storage temperature range: -25 to +85 .
- Recommended panel

Part Number	Standard LED	Forward*V(Max)	(TYP)
3	YELLOW	2.6V	2.1V
D4	GREEN & ORANGE	2.6V	2.2V

\*With a forward current 20mA

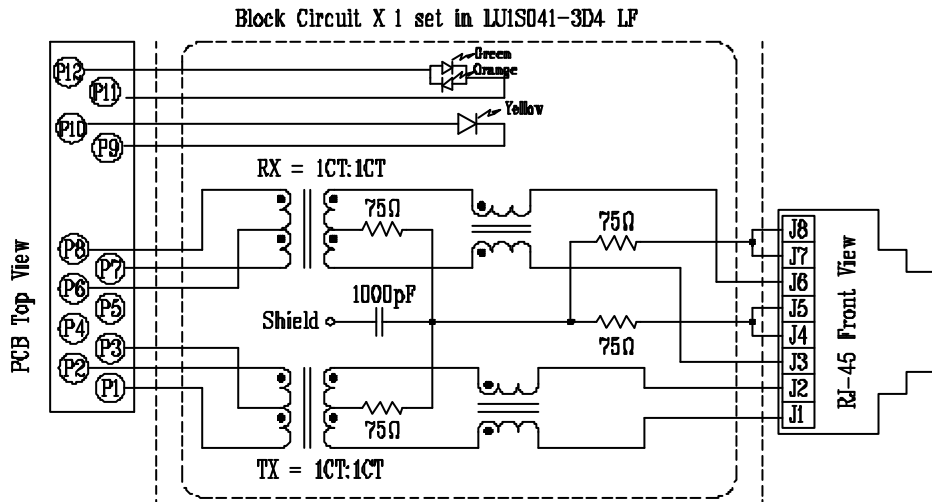
**Electrical Specifications @ 25°C**

Part Number	Turns Ratio (±5%) TX/RX	OCL(uH Min) @ 100 KHz/0.1V with 8mA DC Bias	C <sub>ww</sub> (pF Max)	L.L (uH Max)	Insertion Loss (dB Max)	HI-POT (Vrms)
					0.3-100MHz	
RU1S041-3D4 LF	1CT:1CT	350	28	0.4	-1.15	1500

**Continue**

Part Number	Return Loss (dB Min)					Cross talk (dB Min)			CMR (dB Min)		
	30MHz	40MHz	50MHz	60MHz	80MHz	0.3-30MHz	30-60MHz	60-100MHz	1-30MHz	30-60MHz	60-125MHz
RU1S041-3D4 LF	-16	-14	-13.5	-13	-10	-40	-35	-30	-30	-25	-20

**Schematic**





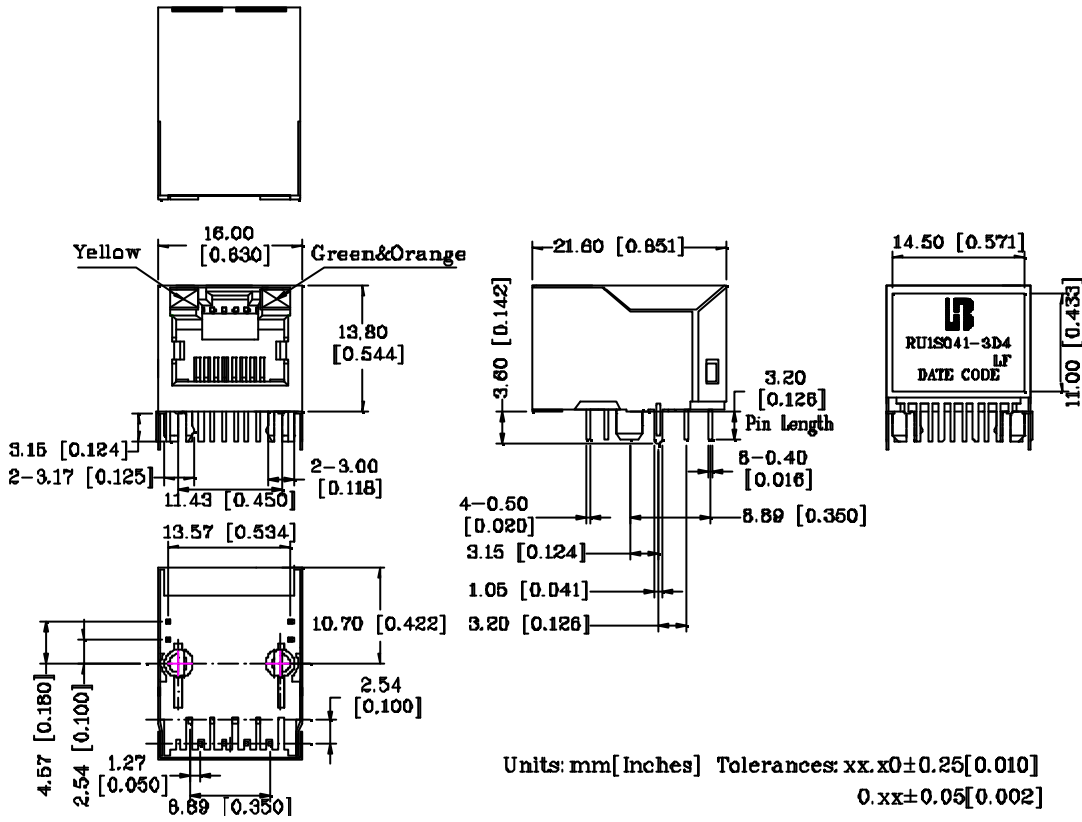
“LAN-MATE” SERIES

SINGLE RJ45 CONNECTOR MODULE WITH INTEGRATED 10/100 BASE-TX MAGNETICS AND LEDS

P/N: RU1S041-3D4 LF

Page : 2/2

Mechanical



- 1. Plastic Material : Thermoplastic (UL 94V-0), Black Housing
- 2. Metal Shield : Brass, 20u" inches thick Nickel
- 3. Spring Wire : Phosphor bronze with selective gold plating
- 4. Solder Pin : 0.4x0.4mm, Phosphor bronze with solder Plated
- 5. Durability : 750 Mating cycles Min.

PCB Layout Mounting Hole(Top View)

