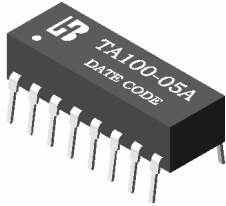


ISOLATION TRANSFORMER FOR ETHERNET

P/N:TA100-05A DATA SHEET

Feature

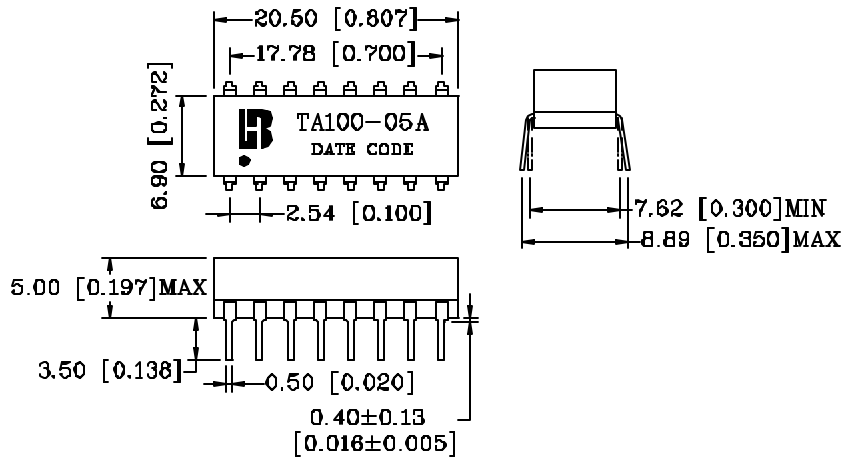
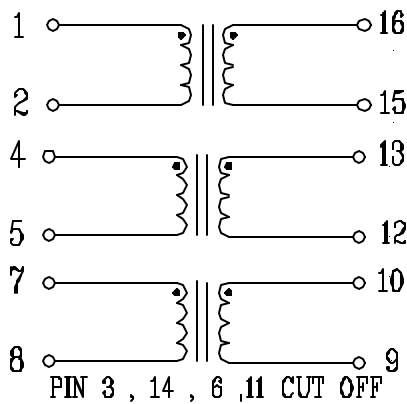


- Low leakage inductance and coupling capacitance for faster rise times.
- Small form factor, 50 mil lead spacing.
- Through hole, auto-insertable, 16-pin DIP package.
- Operating temperature range: 0°C to +70°C.
- Storage temperature range: -25°C to +125°C.

| Electrical Specifications @ 25°C | | | | | |
|----------------------------------|-------------------|--|--|---|--------------|
| Part Number | Turns Ratio (±5%) | Sine wave inductance (i H±20%) 100KHz/20mVrms | Leakage Inductance (i H Max) 100KHz/20mVrms | Interwinding Capacitance (pF Max) 100KHz/20mVrms | |
| TA100-05A | 1:1 | 100 | 0.20 | 10 | |
| Continue | | | | | |
| Part Number | DCR (Ω Max) | Primary ET-constant (v-us Min) | Rise Time 75 Ω Systems (ns Max) | HI-POT (Vrms) | Primary Pins |
| TA100-05A | 0.3 | 2.1 | 3.0 | 500 | 1-2/4-5/7-8 |

Schematic

Mechanical



Units: mm[Inches]
Tolerances: xx.x0±0.25[0.010]
0.xx±0.05[0.002]