

**PLEASE CHECK WWW.MOLEX.COM FOR LATEST PART INFORMATION**

**Part Number:** [0002081003](#)  
**Status:** **Active**  
**Overview:** [mlx](#)  
**Description:** MLX Crimp Terminal 42024, 14-20 AWG, Reel Tin (Sn)

**Documents:**

[Drawing \(PDF\)](#) [RoHS Certificate of Compliance \(PDF\)](#)  
[Product Specification PS-42022-0001 \(PDF\)](#)

**General**

Product Family Crimp Terminals  
 Series [42024](#)  
 Crimp Quality Equipment Yes  
 Overview [mlx](#)  
 Product Name MLX™

**Physical**

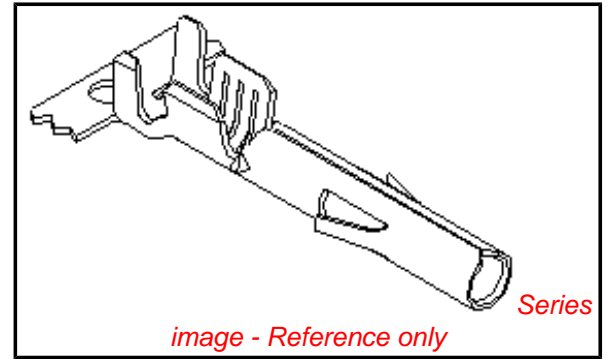
Gender Female  
 Material - Metal Phosphor Bronze  
 Material - Plating Mating Tin  
 Material - Plating Termination Tin  
 Packaging Type Reel  
 Plating min: Mating (µin) 20  
 Plating min: Mating (µm) 0.50  
 Plating min: Termination (µin) 20  
 Plating min: Termination (µm) 0.50  
 Termination Interface: Style Crimp or Compression  
 Wire Insulation Diameter 1.52-3.30mm (.060-.130")  
 Wire Size AWG 14, 16, 18, 20  
 Wire Size mm² N/A

**Material Info**

Old Part Number 42024-1B1

**Reference - Drawing Numbers**

Product Specification PS-42022-0001  
 Sales Drawing SD-42024-\*\*\*\*



**EU RoHS**

**ELV and RoHS  
 Compliant**  
**REACH SVHC  
 Contains SVHC: No**  
**Halogen-Free  
 Status**

**China RoHS**



**Need more information on product  
 environmental compliance?**

Email [productcompliance@molex.com](mailto:productcompliance@molex.com)  
 For a multiple part number RoHS Certificate of  
 Compliance, [click here](#)

Please visit the [Contact Us](#) section for any  
 non-product compliance questions.

**Search Parts in this Series**

[42024Series](#)

**Application Tooling | [FAQ](#)**

*Tooling specifications and manuals are  
 found by selecting the products below.  
 Crimp Height Specifications are then  
 contained in the Application Tooling  
 Specification document.*

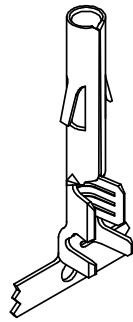
**Global**

Description	Product #
FineAdjust™ Applicator for MXL™ Crimp Terminals, 14-20 AWG wire with 2.08 to 2.50mm dia. Insulation	<a href="#">0639007500</a>
FineAdjust™ Applicator for MXL™ Crimp Terminals, 14-20 AWG wire with 2.41 to 2.95mm dia. Insulation	<a href="#">0639009800</a>
FineAdjust™ Applicator for MXL™	<a href="#">0639009900</a>

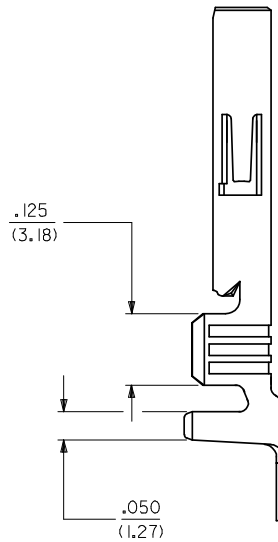
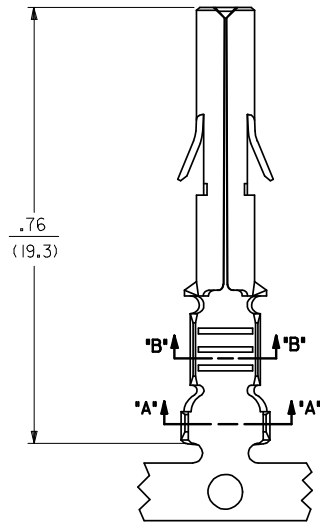
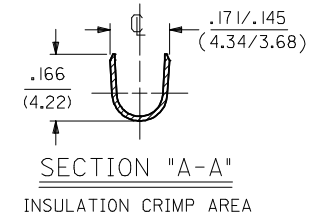
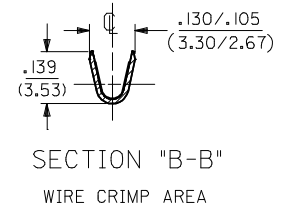
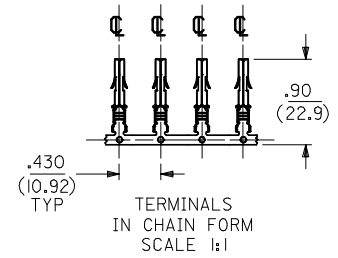
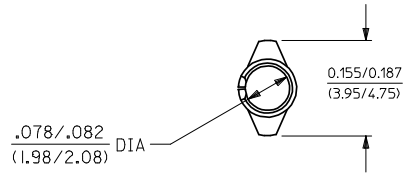
Crimp Terminals, 14-20 AWG wire with 2.65 to 3.30mm dia. Insulation Tooling Kit for MiniFit Compliant Pin Insertion	<u>0639107500</u>
T2 Terminator Tooling Die for MLX™ Crimp Terminals, 14-20 AWG	<u>0639109800</u>
T2 Terminator Tooling Die for MLX™ Crimp Terminals, 14-20 AWG	<u>0639109900</u>
HAND CRIMP TOOL Extraction Tool	<u>0638116800</u> <u>0011010168</u>

This document was generated on 05/17/2010

**PLEASE CHECK [WWW.MOLEX.COM](http://WWW.MOLEX.COM) FOR LATEST PART INFORMATION**



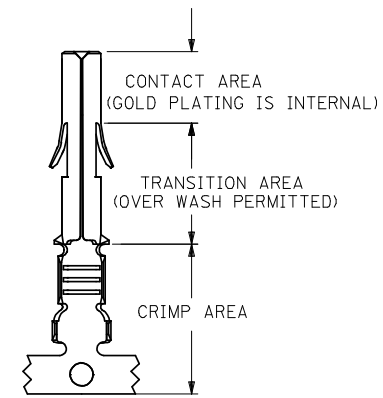
SOCKET TERMINAL  
42024-\*\*\*



SEE SHEET 2 FOR CHART, MATERIAL, PLATING, NOTES, AND CRIMP OPTIONS

ENTER DESCRIPTION EC NO: 12008-0359 DRAWN BY: 2008/03/03 CHKD: VINU 2008/03/03 APPR: KPRASAD 2008/03/03	QUALITY SYMBOLS	GENERAL TOLERANCES (UNLESS SPECIFIED)	DIMENSION STYLE	SCALE	DESIGN UNITS	THIRD ANGLE PROJECTION														
	$\nabla=0$ $\nabla=0$	<table border="1"> <thead> <tr> <th></th> <th>mm</th> <th>INCH</th> </tr> </thead> <tbody> <tr> <td>4 PLACES</td> <td>± .010</td> <td>± .004</td> </tr> <tr> <td>3 PLACES</td> <td>± .015</td> <td>± .006</td> </tr> <tr> <td>2 PLACES</td> <td>± .025</td> <td>± .010</td> </tr> <tr> <td>1 PLACE</td> <td>± .038</td> <td>± .015</td> </tr> </tbody> </table>		mm	INCH	4 PLACES	± .010	± .004	3 PLACES	± .015	± .006	2 PLACES	± .025	± .010	1 PLACE	± .038	± .015	IN/MM	4:1	INCH
	mm	INCH																		
4 PLACES	± .010	± .004																		
3 PLACES	± .015	± .006																		
2 PLACES	± .025	± .010																		
1 PLACE	± .038	± .015																		
	<table border="1"> <thead> <tr> <th>DESCRIPTION</th> <th>DATE</th> </tr> </thead> <tbody> <tr> <td>DRAWN BY: SUDHIR</td> <td>2004/09/27</td> </tr> <tr> <td>CHECKED BY: KPRASAD</td> <td>2004/09/27</td> </tr> <tr> <td>APPROVED BY: KPRASAD</td> <td>2004/09/27</td> </tr> </tbody> </table>	DESCRIPTION	DATE	DRAWN BY: SUDHIR	2004/09/27	CHECKED BY: KPRASAD	2004/09/27	APPROVED BY: KPRASAD	2004/09/27	TITLE		MOLEX INCORPORATED								
DESCRIPTION	DATE																			
DRAWN BY: SUDHIR	2004/09/27																			
CHECKED BY: KPRASAD	2004/09/27																			
APPROVED BY: KPRASAD	2004/09/27																			
	DRAFT WHERE APPLICABLE MUST REMAIN WITHIN DIMENSIONS	SEE CHART	DOCUMENT NO.		SHEET NO.															
		SIZE A2	THIS DRAWING CONTAINS INFORMATION THAT IS PROPRIETARY TO MOLEX INCORPORATED AND SHOULD NOT BE USED WITHOUT WRITTEN PERMISSION		SD-42024-**** 1 OF 2															

ENG. NO.	EDP NO.	FINISH (REF)	CONTACT AREA (REF)	CRIMP AREA (REF)	MATERIAL (REF)	WIRE SIZE	INSULATION DIA.
42024-IA1	002-08-1001	SDES-88-P901	----	----	C26000	#14-#20 AWG	.060-.130
42024-IA1L	002-08-1002	SDES-88-P901	----	----	C26000	#14-#20 AWG	.060-.130
42024-IB1	002-08-1003	SDES-88-P901	----	----	C51000	#14-#20 AWG	.060-.130
42024-IB1L	002-08-1004	SDES-88-P901	----	----	C51000	#14-#20 AWG	.060-.130
42024-IA2	002-08-1005	SEE NOTE 5	.000030 MIN GOLD	.000100 MIN MATTE TIN	C26000	#14-#20 AWG	.060-.130
42024-IA2L	002-08-1006	SEE NOTE 5	.000030 MIN GOLD	.000100 MIN MATTE TIN	C26000	#14-#20 AWG	.060-.130
42024-IB2	002-08-1007	SEE NOTE 5	.000030 MIN GOLD	.000100 MIN MATTE TIN	C51000	#14-#20 AWG	.060-.130
42024-IB2L	002-08-1008	SEE NOTE 5	.000030 MIN GOLD	.000100 MIN MATTE TIN	C51000	#14-#20 AWG	.060-.130



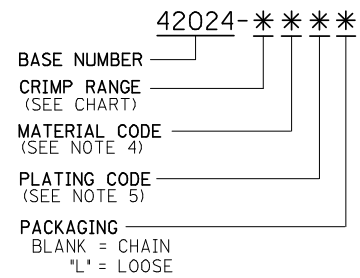
### PLATING REGIONS

APPLIES TO GOLD PLATED TERMINALS ONLY

**NOTES:**

- SOCKET TERMINALS FOR USE WITH THE .084/(2.13) SERIES HOUSINGS:  
 PLUG (42021-\*\*)  
 CAP (42022-\*\*)
- SOCKET TERMINALS MATE WITH PIN TERMINALS: .084/(2.13) DIA. SERIES (42023-\*\*\*\*).
- TERMINALS FINISHED IN CHAIN UNLESS SPECIFIED LOOSE. "L" SUFFIX INDICATES LOOSE FORM. (SEE TABLE)
- MATERIAL: .012/(0.30) THICK STRIP:  
 A = BRASS, \*C26000, PER SMES-124-C7.  
 B = PHOSPHOR BRONZE, \*C51000, PER SMES-124-E7.
- FINISH:  
 1 = HOT TIN DIP 20 m.l./(.51 MICRONS) MINIMUM (PER SDES-88-P901).  
 2 = 30 (M.I) / 0.75 MICRONS) MIN SELECT GOLD AND 100 (M.I) (2.50 MICRON) MIN SELECT TIN (MATTE) OVER 50 (M.I) (1.25 MICRONS) MIN NICKEL OVERALL
- CRIMP RANGE: SEE CHART.
- PRODUCT SPECIFICATION PS-42022-0001 APPLIES.

**LEGEND:**



<b>ENTER DESCRIPTION</b> EC NO: 12008-0359 DRAWN BY: DRW:AB CHKD: VINI APPR: KPRASAD 2008/03/03 2008/03/03 2008/03/03	<b>QUALITY SYMBOLS</b> ▽=0 ▽=0	<b>GENERAL TOLERANCES (UNLESS SPECIFIED)</b>		<b>DIMENSION STYLE</b> IN/MM		<b>SCALE</b> ---	<b>DESIGN UNITS</b> INCH	THIRD ANGLE PROJECTION	
		4 PLACES ±--- ±---	3 PLACES ±--- ±---	2 PLACES ±--- ±---	1 PLACE ±--- ±---	DRAWN BY: SUDHIR DATE: 2004/09/27	<b>TITLE</b> RMINAL, SOCKET 84/(2.13) DIA. SERIES		
		ANGULAR ±---°		DRAFT WHERE APPLICABLE MUST REMAIN WITHIN DIMENSIONS		CHECKED BY: KPRASAD DATE: 2004/09/27	<b>MOLEX INCORPORATED</b>		
		SEE CHART		MATERIAL NO. SD-42024-****		APPROVED BY: KPRASAD DATE: 2004/09/27		SHEET NO. 2 OF 2	

THIS DRAWING CONTAINS INFORMATION THAT IS PROPRIETARY TO MOLEX INCORPORATED AND SHOULD NOT BE USED WITHOUT WRITTEN PERMISSION