

**PLEASE CHECK WWW.MOLEX.COM FOR LATEST PART INFORMATION**

**Part Number:** **0190840001**  
**Status:** **Active**  
**Description:** Open Barrel Star Ring , Brass, for 14-18 AWG Wire, Stud Size 6

**Documents:**

[Drawing \(PDF\)](#) [RoHS Certificate of Compliance \(PDF\)](#)  
[Product Specification PS-19902-006 \(PDF\)](#)

**Agency Certification**

CSA LR18689  
 UL E32244

**General**

Product Family Ring and Spade Terminals  
 Series 19084  
 Crimp Quality Equipment Yes  
 Mil-Spec N/A  
 Product Name N/A  
 Type Ring

**Physical**

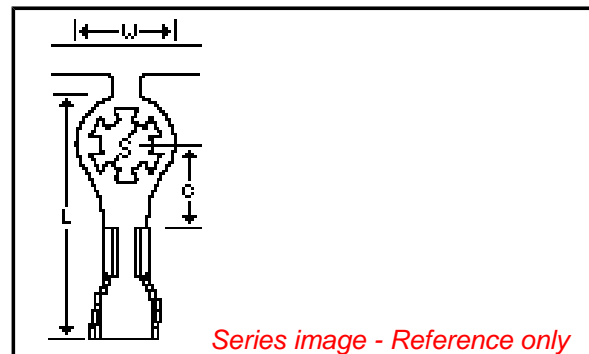
Barrel Type Open  
 Insulation None  
 Material - Plating Mating Tin  
 Packaging Type Reel  
 Plating min: Mating (µin) 100  
 Plating min: Mating (µm) 2.5  
 Plating min: Termination (µin) 100  
 Plating min: Termination (µm) 2.5  
 Stud Size 6 (M3.5)  
 Termination Interface: Style Crimp or Compression  
 Wire Insulation Diameter N/A  
 Wire Size AWG 14, 16, 18  
 Wire Size mm<sup>2</sup> 0.80 - 2.00

**Material Info**

Old Part Number SRZ-0129-06

**Reference - Drawing Numbers**

Product Specification PS-19902-006  
 Sales Drawing SD-19084-001



**EU RoHS**

**ELV and RoHS  
 Compliant**  
**REACH SVHC  
 Contains SVHC: No**  
**Halogen-Free  
 Status  
 Halogen-Free**

**China RoHS**



**Need more information on product  
 environmental compliance?**

Email [productcompliance@molex.com](mailto:productcompliance@molex.com)  
 For a multiple part number RoHS Certificate of  
 Compliance, [click here](#)

Please visit the [Contact Us](#) section for any  
 non-product compliance questions.

**Search Parts in this Series**

19084Series

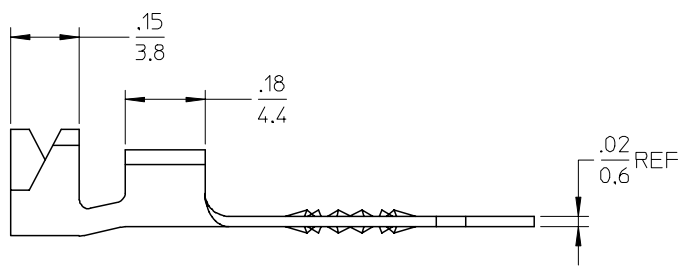
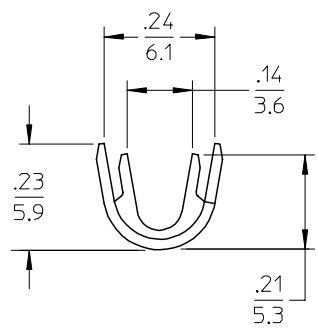
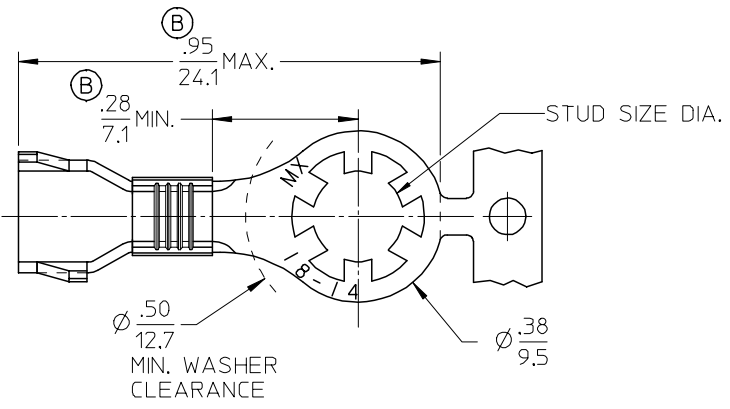
**Application Tooling | [FAQ](#)**

*Tooling specifications and manuals are  
 found by selecting the products below.  
 Crimp Height Specifications are then  
 contained in the Application Tooling  
 Specification document.*

**Global**

Description	Product #
ASP Perishable Tool Kit used in ASP presses that process metal strip product	<u>0190290053</u>
Mini-Mac™ Applicator	<u>0638815600</u>

MATERIAL NO.	ENG. NO.	STUD SIZE	"S"±.003	MATERIAL	PLATING
190840001	SRZ-0129-06	6	.146/3.71	BRASS	NONE
190840002	SRZ-0129-08	8	.173/4.39		
190840003	SRZ-0129-10	10	.198/5.03		
190840004	SRZ-4129-06	6	.146/3.71	BRASS	TIN
190840005	SRZ-4129-08	8	.173/4.39		
190840006	SRZ-4129-10	10	.198/5.03		
190840007	SRZ-S-4129-06	6	.146/3.71	STEEL	
190840008	SRZ-S-4129-08	8	.173/4.39		
190840009	SRZ-S-4129-10	10	.198/5.03		



SALES DRAWING

NOTE(S):  
 1. WIRE: SIZE: 18-14 AWG  
 0.7 - 2.6 MM<sup>2</sup>

UPDATE TO MX STDS EC NO: ETC2001-0128 DRWNG: JYR/CK 2005/02/18 CHKD: JPAML/CK 2005/02/18 APPR: JPAML/CK 2005/02/18	DESCRIPTION REV	QUALITY SYMBOLS ▽=0 ▽=0	GENERAL TOLERANCES (UNLESS SPECIFIED)		DIMENSION STYLE IN/MM	SCALE	DESIGN UNITS INCH	THIRD ANGLE PROJECTION		
		4 PLACES ± --- ± ---	mm INCH	DRAWN BY JHACKNEY	DATE 1995/05/05	TITLE OPEN BARREL STRIP STAR RING, VIBRAKRIMP 18-14 AWG				
		3 PLACES ± --- ± .005		CHECKED BY RDEROSS	DATE 1995/05/05	MOLEX INCORPORATED				
		2 PLACES ± 0.13 ± .01 1 PLACE ± 0.25 ± --- ANGULAR ± 1/2°		APPROVED BY RDEROSS	DATE 1995/05/05	MATERIAL NO. SEE CHART	DOCUMENT NO. SD-19084-001	SHEET NO. 1 OF 1		
DRAFT WHERE APPLICABLE MUST REMAIN WITHIN DIMENSIONS			THIS DRAWING CONTAINS INFORMATION THAT IS PROPRIETARY TO MOLEX INCORPORATED AND SHOULD NOT BE USED WITHOUT WRITTEN PERMISSION							