

PLEASE CHECK WWW.MOLEX.COM FOR LATEST PART INFORMATION

Part Number: [0357182210](#)
Status: **Active**
Description: 4.75mm (.187") Safe Lock Terminal, Quick Disconnect, Female, 0.81mm (.032") Tab Thickness, Wire Range 18-20 AWG (0.80-0.52mm²), Pre-Tin Plated

Documents:

[Drawing \(PDF\)](#) [RoHS Certificate of Compliance \(PDF\)](#)

General

Product Family	Quick Disconnects
Series	35718
Crimp Quality Equipment	Yes
Product Name	Safelock
Type	Quick Disconnect

Physical

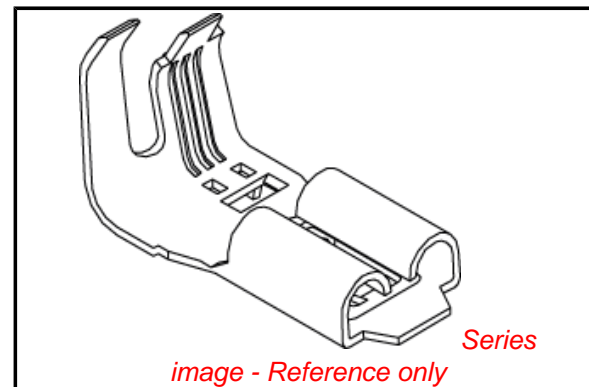
Barrel Type	Open
Gender	Female
Glow-Wire Compliant	No
Insulation	None
Lock to Mating Part	Yes
Material - Metal	Brass
Material - Plating Mating	Tin
Material - Plating Termination	Tin
Orientation	Straight
Packaging Type	Reel
Plating min: Mating (µin)	40
Plating min: Mating (µm)	1
Plating min: Termination (µin)	40
Plating min: Termination (µm)	1
Polarized to Mating Part	No
Tab Thickness	0.81mm (.032")
Tab Width	4.75mm (.187")
Temperature Range - Operating	-40°C to +105°C
Termination Interface: Style	Crimp or Compression
Wire Insulation Diameter	2.50mm (.098") max.
Wire Size AWG	18, 20
Wire Size mm ²	0.52 - 0.80

Electrical

Voltage - Maximum	250V
-------------------	------

Material Info

Old Part Number	35718-2110
-----------------	------------



EU RoHS **China RoHS**

Compliance Status

Not Reviewed

REACH SVHC

Not Reviewed

Halogen-Free

Status

Not Reviewed

Need more information on product environmental compliance?

Email productcompliance@molex.com
 For a multiple part number RoHS Certificate of Compliance, [click here](#)

Please visit the [Contact Us](#) section for any non-product compliance questions.

Search Parts in this Series

[35718Series](#)

Use With

4.75mm (.187") Tab

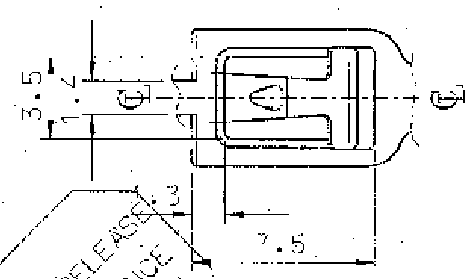
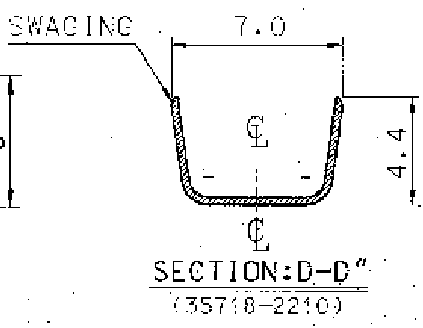
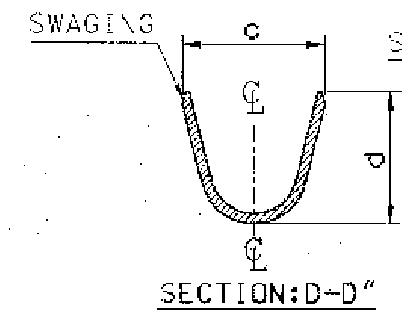
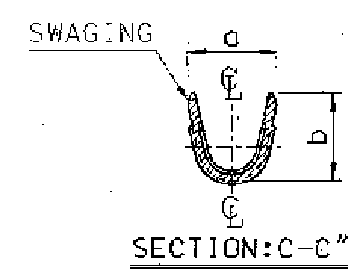
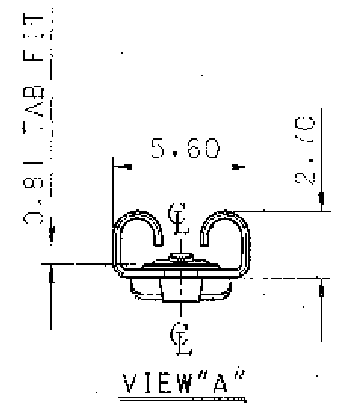
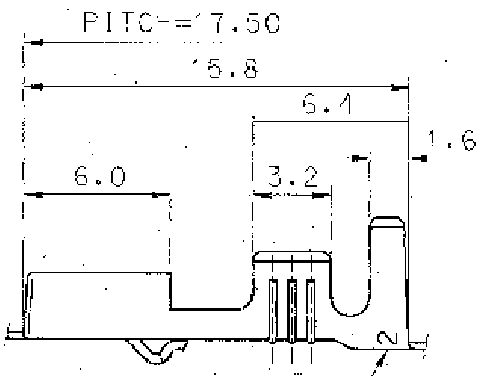
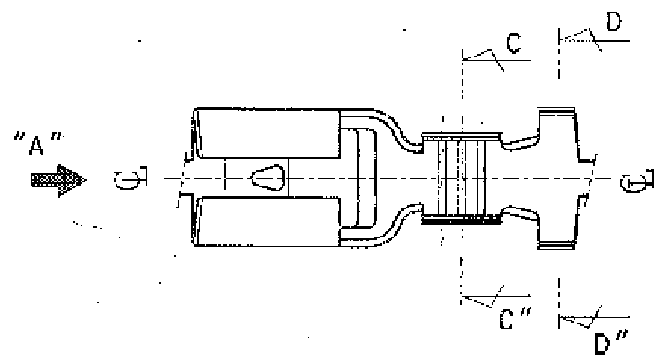
SD 35718-2*0

.187 SAFE LOCK IN L

UNITS IN MILLIMETER

NOTES

1. MATERIAL: BRASS, 0.30 mm THICKNESS
2. FINISH: PRE-PLATED TIN
3. MATING TAB THICKNESS: 0.8 mm
4. RECOMMENDED LENGTH OF WIRE STRIP IS 4.5-5.0 mm.



ENG. NO.	a	b	c	d	WIRE RANGE	INS. DIA.	QTY/REEL
35718-2010	2.1	2.2	3.9	3.9	AWG #24-#22	2.6 MAX.	5,000
35718-2110	3.2	3.4	5.3	5.2	AWG #20-#16	3.6 MAX.	5,000
35718-2210	4.0	4.0	—	—	AWG #20-#20 AWG #18-#20 AWG #18-#18	—	5,000

PRE-RELEASED
REFERENCE
USE ONLY

ASSY PART		QTY/REEL OR PACK	SURFACE AREA	MATERIAL	SEE NOTES	WIRE RANGE	GENERAL TOLERANCES		
DESCRIPTION	ENG. NO.	SEE TABLE	MM ²			AWG:	DIM. ±0.3		
DE NO.			LAYOUT NO.	DIMENSION CLASSIFICATION		MM ² :	ANGLE ±°		
				<input checked="" type="checkbox"/> CRITICAL	<input checked="" type="checkbox"/> MAJOR		REVISE ONLY ON CAD SYSTEM		
				<input type="checkbox"/> MINOR	<input type="checkbox"/> REFERENCE	INSULATION RANGE	TITLE: .187 SAFE LOCK RECEPTACLE		
3	TEMPORARY RELEASED		WIRE CRIMP WIDTH	INS. CRIMP WIDTH	DRAWN BY J.S.KANG	CHKD BY B.S.CHOI	ENG. NO. SD 35718-2010/2110/2210		
LTR	REVISION RECORD	ECON	DATE	DE FEED	APPL FEED	WEDW	EDW	SCALE 5:1 (CAD)	REV 0

MK-9