

PLEASE CHECK WWW.MOLEX.COM FOR LATEST PART INFORMATION

Part Number: [0512031200](#)
Status: **Active**
Description: HMC™ Rectangular Industrial Male Housing, Multi-Module Type, 12 Circuits

Documents:

[Drawing \(PDF\)](#) [RoHS Certificate of Compliance \(PDF\)](#)

Agency Certification

CSA	LR19980
TUV	R72081037
UL	E29179

General

Product Family	I/O Connectors
Series	51203
Application	Panel-Mount
Component Type	Housing
Product Name	HMC™
Type	N/A

Physical

Boot Color	N/A
Breakaway	No
Circuits (Loaded)	N/A
Circuits (maximum)	12
Color - Resin	Natural
Durability (mating cycles max)	50
Flammability	94V-0
Gender	Male
Lock to Mating Part	Yes
Material - Plating Mating	n/a
Material - Resin	Nylon
Number of Rows	2
Orientation	Vertical
PCB Locator	No
Packaging Type	Bag
Panel Mount	N/A
Pitch - Mating Interface (in)	0.165 In
Pitch - Mating Interface (mm)	4.20 mm
Polarized to Mating Part	Yes
Polarized to PCB	N/A
Ports	1
Surface Mount Compatible (SMC)	No
Temperature Range - Operating	-55°C to +125°C
Termination Interface: Style	N/A
Waterproof / Dustproof	No

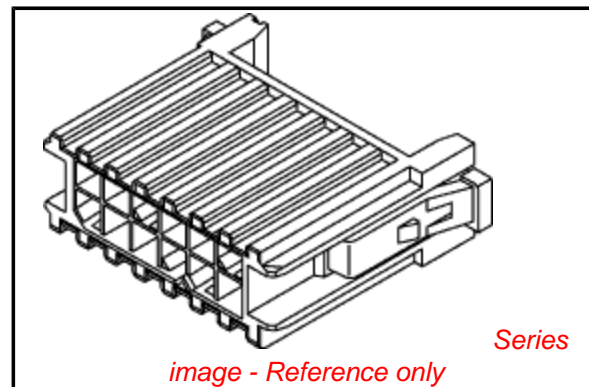
Electrical

Current - Maximum per Contact	43A
Shielded	No
Voltage - Maximum	250V AC / 300V DC

Material Info

Reference - Drawing Numbers

Product Specification	RPS-51200-003, RPS-58719-004, RPS-58719-007
Sales Drawing	SD-51203-002



EU RoHS

ELV and RoHS Compliant
REACH SVHC Contains SVHC: No
Halogen-Free Status

China RoHS



Need more information on product environmental compliance?

Email productcompliance@molex.com
 For a multiple part number RoHS Certificate of Compliance, [click here](#)

Please visit the [Contact Us](#) section for any non-product compliance questions.

Search Parts in this Series

[51203Series](#)

Mates With

[51204-1200](#)

Use With

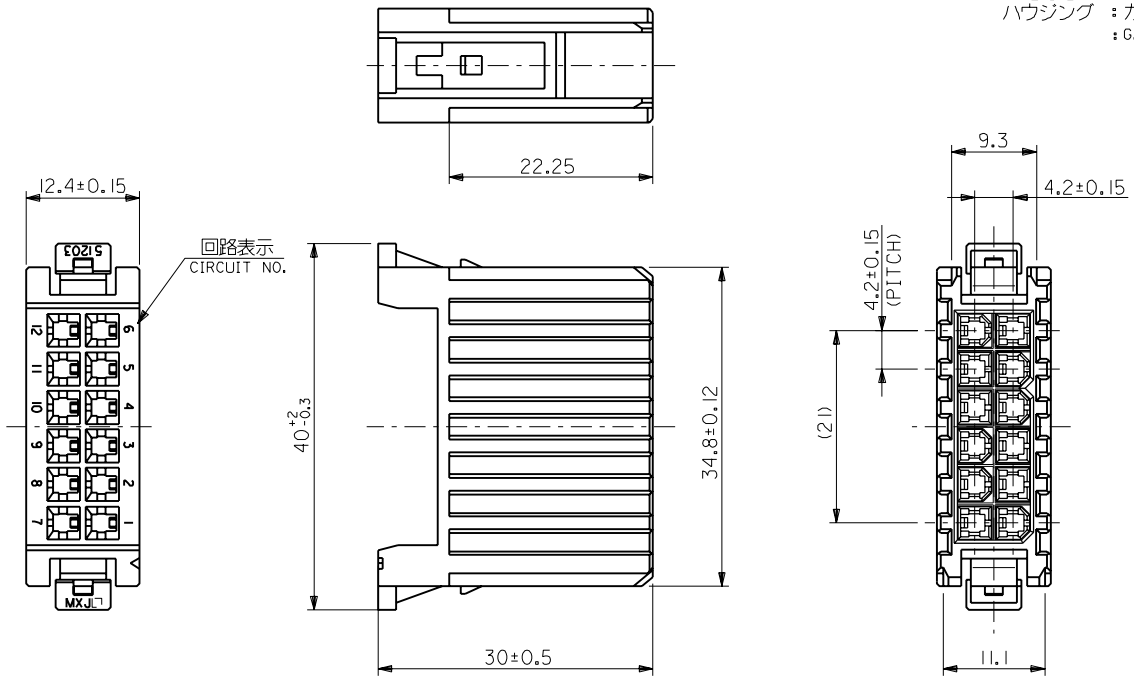
58719 panel-mount bracket, [5558](#) GSX terminal, [58721](#) hood bracket

This document was generated on 04/12/2010

PLEASE CHECK WWW.MOLEX.COM FOR LATEST PART INFORMATION

注記
NOTES.

- 適合ターミナル : 5558****
APPLICABLE TERMINAL : 5558****
- 材質
MATERIAL
ハウジング : ガラス入りナイロン66 UL94V-0 色: 自然色
: G.F. NYLON UL94V-0 COLOR : NATURAL



51203-1200	51203-1200
------------	------------

MATERIAL NO	MODEL NO
-------------	----------

DIMENSIONS:	SHT	REV
<input type="checkbox"/> mm <input type="checkbox"/> INCH <input checked="" type="checkbox"/> mm ONLY		REVISE ON CAD ONLY

DO NOT SCALE DRAWING

EC NO. DRWN: CHK: APPR:	EC NO. DRWN: CHK: APPR:	EC NO. DRWN: CHK: APPR:
----------------------------------	----------------------------------	----------------------------------

REVISED '98/12/23
EC NO. JD90898
DRWN: Y. TETSUKA
CHK: S. AKIYAMA/YO.ITO
APPR: H. IKESUGI
RELEASED '98/9/9
EC NO. JD90377
DRWN: S. AKIYAMA
CHK: YO.ITO
APPR: H. IKESUGI

MATERIAL 材料	注記参照 SEE NOTES.
FINISH 仕上り	—
WIRE RANGE 適用電線範囲	—
INS. RANGE 被覆外径	—

GENERAL TOLERANCES: (UNLESS SPECIFIED) 一般公差	SCALE 2-1	DESIGN UNITS <input checked="" type="checkbox"/> mm <input type="checkbox"/> INCH	THIRD ANGLE PROJECTION
10 UNDER 未満	+0.2	DRAWN BY & DATE S. Akiyama '98/9/9	TITLE: POWER CONN. 12P PIN HOUSING
10 OVER 以上	+0.25	CHECKED BY & DATE Y. Ota	APPROVED BY & DATE S. Akiyama
30 UNDER 未満	+0.3	APPROVED BY & DATE S. Akiyama	MATERIAL NO. SEE CHART
30 OVER 以上	+0.3	CAD FILE NAME 51203002.S01	DRAWING NO. SD-51203-002
ANGLE 角度	+3°		SHEET NO. 1 OF 1

THIS DRAWING CONTAINS INFORMATION THAT IS PROPRIETARY TO MOLEX INCORPORATED AND SHOULD NOT BE USED WITHOUT WRITTEN PERMISSION.		SIZE B
--	--	-----------