

**PLEASE CHECK WWW.MOLEX.COM FOR LATEST PART INFORMATION**

**Part Number:** [0524653271](#)  
**Status:** **Active**  
**Description:** 0.80mm (.031") Pitch Board-to-Board Receptacle, Surface Mount, Dual Row, 32 Circuits, Lead-free

**Documents:**

[3D Model](#) [Product Specification PS-52465-014 \(PDF\)](#)  
[Drawing \(PDF\)](#) [RoHS Certificate of Compliance \(PDF\)](#)  
[Product Specification PS-52465-010 \(PDF\)](#)

**General**

Product Family PCB Receptacles  
 Series [52465](#)  
 Application Board-to-Board  
 Product Name N/A

**Physical**

Circuits (Loaded) 32  
 Color - Resin Natural  
 Durability (mating cycles max) 30  
 Glow-Wire Compliant No  
 Mated Height (in) 0.222 In  
 Mated Height (mm) 5.65 mm  
 Material - Metal Phosphor Bronze  
 Material - Plating Mating Tin  
 Material - Plating Termination Tin  
 Material - Resin High Temperature Thermoplastic  
 Number of Rows 2  
 Orientation Vertical  
 PCB Locator No  
 PCB Retention None  
 Packaging Type Embossed Tape on Reel  
 Pitch - Mating Interface (in) 0.031 In  
 Pitch - Mating Interface (mm) 0.80 mm  
 Plating min: Mating (µin) 40  
 Plating min: Mating (µm) 1  
 Plating min: Termination (µin) 40  
 Plating min: Termination (µm) 1  
 Polarized to PCB No  
 Surface Mount Compatible (SMC) N/A  
 Temperature Range - Operating -20°C to +105°C  
 Termination Interface: Style Surface Mount

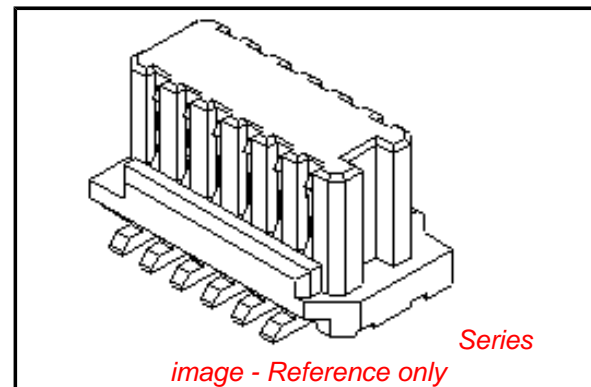
**Electrical**

Current - Maximum per Contact 0.5A  
 Voltage - Maximum 50V

**Material Info**

**Reference - Drawing Numbers**

Product Specification PS-52465-010, PS-52465-014, RPS-52465-042, RPS-52465-045, RPS-52465-047, RPS-52465-048, RPS-52465-049  
 Sales Drawing SD-52465-028, SD-52465-029



**EU RoHS**

**ELV and RoHS Compliant**  
**REACH SVHC**  
 Not Reviewed  
**Halogen-Free Status**  
**Not Reviewed**

**China RoHS**



**Need more information on product environmental compliance?**

Email [productcompliance@molex.com](mailto:productcompliance@molex.com)  
 For a multiple part number RoHS Certificate of Compliance, [click here](#)

Please visit the [Contact Us](#) section for any non-product compliance questions.

**Search Parts in this Series**

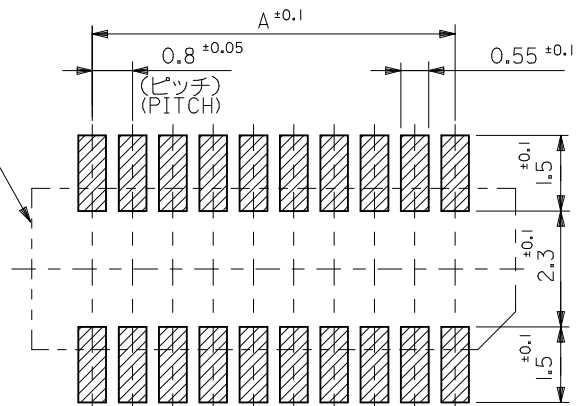
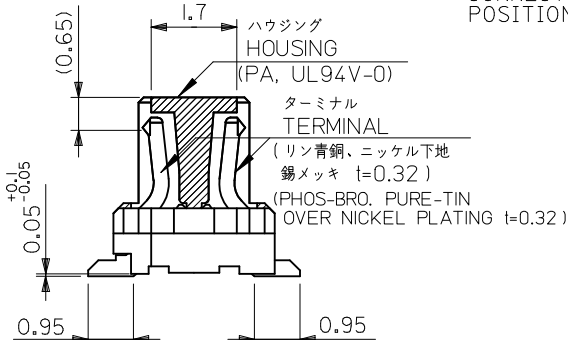
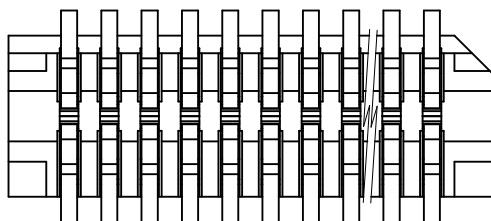
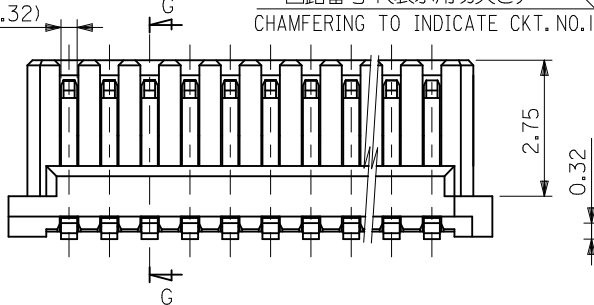
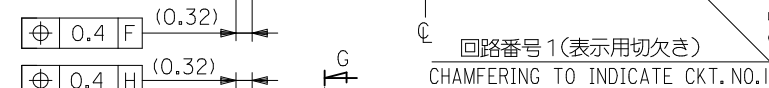
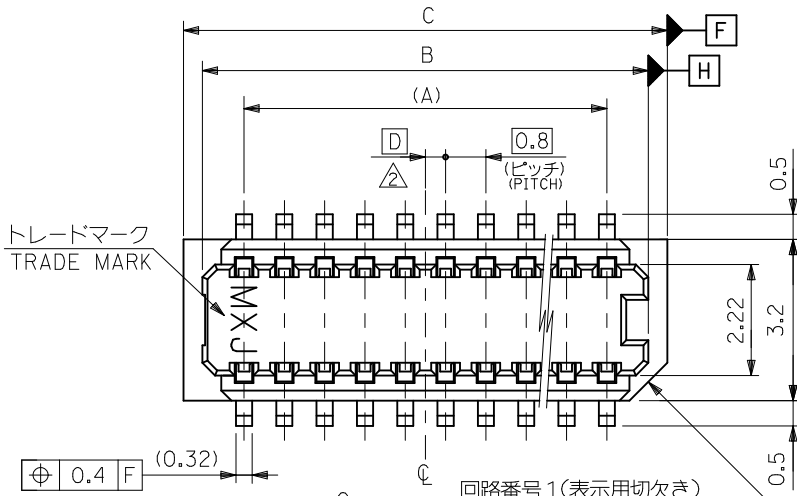
[52465Series](#)

**Mates With**

[53309](#)

This document was generated on 04/14/2010

**PLEASE CHECK [WWW.MOLEX.COM](http://WWW.MOLEX.COM) FOR LATEST PART INFORMATION**



参考基板レイアウト (マウント面)  
P.C.B. PATTERN LAYOUT (REF.) (MOUNT AREA)

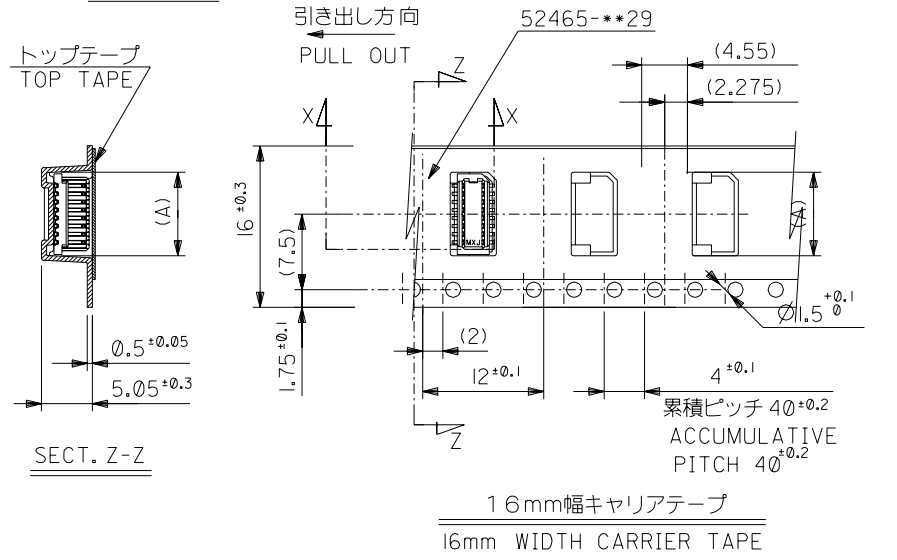
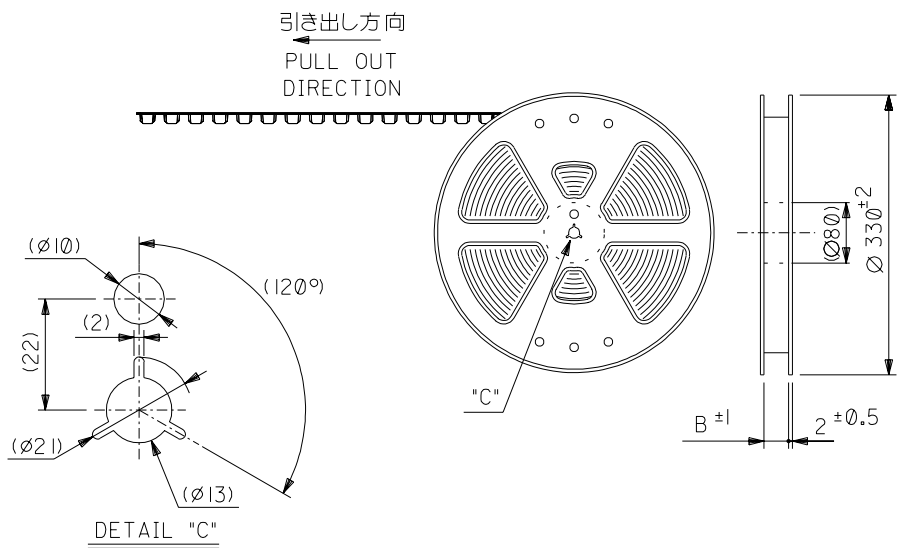
0.4	17.6	16.85	15.2	52465-4071	52465-4029	40
0.8	16.8	16.05	14.4	52465-3871	52465-3829	38
0.4	16.0	15.25	13.6	52465-3671	52465-3629	36
0.8	15.2	14.45	12.8	52465-3471	52465-3429	34
0.4	14.4	13.65	12.0	52465-3271	52465-3229	32
0.8	13.6	12.85	11.2	52465-3071	52465-3029	30
0.4	12.8	12.05	10.4	52465-2871	52465-2829	28
0.8	12.0	11.25	9.6	52465-2671	52465-2629	26
0.4	11.2	10.45	8.8	52465-2471	52465-2429	24
0.8	10.4	9.65	8.0	52465-2271	52465-2229	22
0.4	9.6	8.85	7.2	52465-2071	52465-2029	20
0.8	8.8	8.05	6.4	52465-1871	52465-1829	18
0.4	8.0	7.25	5.6	52465-1671	52465-1629	16
0.8	7.2	6.45	4.8	52465-1471	52465-1429	14
0.4	6.4	5.65	4.0	52465-1271	52465-1229	12
0.8	5.6	4.85	3.2	52465-1071	52465-1029	10
D	C	B	A	EMBOSSED TAPE ORDER No.	MATERIAL NO.	CKT.

NOTES

- 嵌合相手：53307, 53309 シリーズ  
MATES WITH 53307, 53309 SERIES
- ハウジングの C から隣接するターミナルの C 迄の位置を示す。  
SHOW POSITION FROM C OF HOUSING TO C OF ADJACENT TERMINALS.
- 一對の基板の嵌合に於いて、本製品を2個以上使用することは推奨できません。  
MXJ DOSE NOT RECOMMEND THE USAGE OF TWO OR MORE OF THESE CONNECTORS BETWEEN A SINGLE PAIR OF P. C. BOARD.
- 本製品は 52465-\*\*27 の鉛フリー品である。  
THIS PRODUCT IS LEAD FREE OF 52465-\*\*27.
- ELV及びRoHS適合品  
ELV AND RoHS COMPLIANT

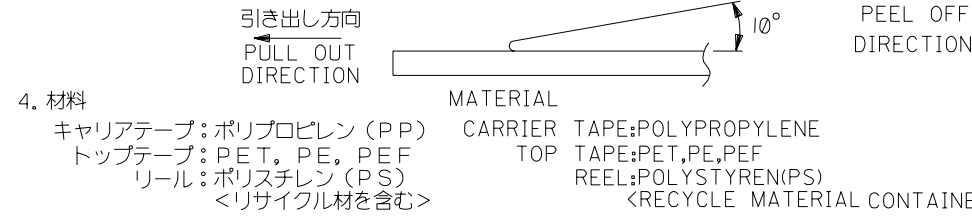
REVISED EC NO: J2010-0755 DRWN: TAKAGAWA01 2008/12/17 CHKD: SMARUYAMA 2010/03/24 APPR: MSASAO 2010/03/25	DESCRIPTION	GENERAL TOLERANCES (UNLESS SPECIFIED)		DIMENSION STYLE MM ONLY		SCALE 10:1		DESIGN UNITS METRIC		THIRD ANGLE PROJECTION	
		10 UNDER	±0.2	DRAWN BY Y. SAKIYAMA		DATE 2004/02/17		TITLE 0.8 BOARD TO BOARD CONN. HOUSING ASSY SMT			
		10 OVER 30 UNDER	±0.25	CHECKED BY M. SASAO		DATE 2004/02/17					
		30 OVER	±0.3	APPROVED BY M. SASAO		DATE 2004/02/17		MATERIAL NO.		SHEET NO.	
A	REV	ANGULAR ±3 °		SEE TABLE		DOCUMENT NO. SD-52465-028		1 OF 1		INCORPORATED AND SHOULD NOT BE USED WITHOUT WRITTEN PERMISSION	

DWG. NO. SD-52465-029



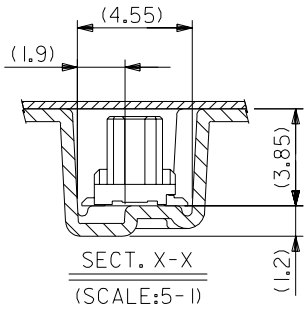
NOTES

- 梱包数量: 1000 個/リール NUMBER OF CONNECTORS: 1000 PCS/REEL
- リードテープ長さ LEAD TAPE LENGTH  
 トップテープ リーダー部 TOP TAPE LEADER PART 175 ±25  
 トップテープ 未接着部 TOP TAPE NON-BONDED PART 25 ±5  
 リーダー部 (空部) LEADER PART (EMPTY) 120 ±20  
 部品挿入部 COMPONENT SUPPLIER  
 末端部 (空部) TAIL PART (EMPTY) 150 ±40
- トップテープの剥離強度: 0.1 ~ 1.3N (10 ~ 130gf) (剥離方向は下図参照)  
 尚、本規格値は、出荷時に適用。(但し、輸送時に剥離が発生しない事。)  
 PEELING OFF FORCE OF TOP TAPE: 0.1 ~ 1.3N (10 ~ 130gf)  
 (PEELING DIRECTION AS SHOWN IN FOLLOWING FIG.)  
 THIS REQUIREMENT SHOULD BE APPLIED AT SHIPMENT  
 PEEL OFF SHOULD NOT BE ALLOWED, DURING TRANSPORTATION



- 材料  
 キャリアテープ: ポリプロピレン (PP) CARRIER TAPE: POLYPROPYLENE  
 トップテープ: PET, PE, PEF TOP TAPE: PET, PE, PEF  
 リール: ポリスチレン (PS) REEL: POLYSTYRENE (PS)  
 <リサイクル材を含む> <RECYCLE MATERIAL CONTAINED>

5. 本製品は 52465-\*\*\*91 の鉛フリー品である。  
 THIS PRODUCT IS LEAD FREE OF 52465-\*\*\*91.



16	17.5	9.1	52465-1871	18
		8.3	52465-1671	16
		7.5	52465-1471	14
		6.7	52465-1271	12
		5.9	52465-1071	10
キャリアテープ幅 CARRIER TAPE WIDTH	B	(A)	MATERIAL NO.	CIRCUITS

DO NOT SCALE DRAWING				MATERIAL 材料 SEE NOTES		GENERAL TOLERANCES: (UNLESS SPECIFIED) 一般公差		SCALE 1:1		DESIGN UNITS 公差 <input checked="" type="checkbox"/> mm <input type="checkbox"/> INCH		THIRD ANGLE PROJECTION		DIMENSIONS: <input type="checkbox"/> mm <input type="checkbox"/> INCH <input checked="" type="checkbox"/> mm ONLY		SHT 1		REV	
EC NO. DRWN: CHK: APPR:	EC NO. DRWN: CHK: APPR:	EC NO. DRWN: CHK: APPR:	EC NO. DRWN: CHK: APPR:	REV 0	DESCRIPTION RELEASED '04/02/17 EC NO. J2004-2482 DRWN: Y.SAKIYAMA CHK: M.SASAO APPR: M.SASAO	WIRE RANGE 適用電線範囲	FINISH 仕上げ	ANGLE 角度	DRAWN BY & DATE Y.SAKIYAMA '04/02/17	CHECKED BY & DATE M.SASAO '04/02/17	TITLE: 0.8 B-To-B Hsg Assy SMT Embstp Pkg -LEAD FREE-	MOLEX MOLEX INCORPORATED		MATERIAL NO. SD-52465-029.S01	DRAWING NO. SD-52465-029	SHEET NO. 1 OF 2	THIS DRAWING CONTAINS INFORMATION THAT IS PROPRIETARY TO MOLEX INCORPORATED AND SHOULD NOT BE USED WITHOUT WRITTEN PERMISSION.		SIZE B

