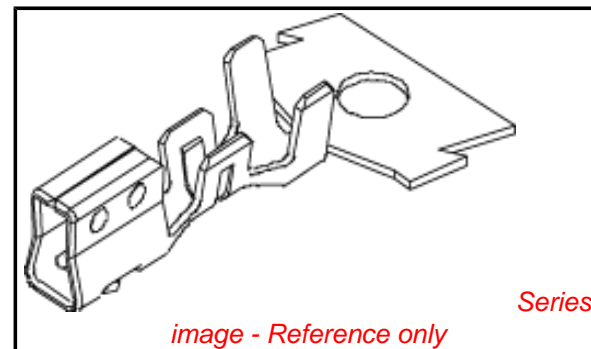


PLEASE CHECK WWW.MOLEX.COM FOR LATEST PART INFORMATION

Part Number: **0579158001**
Status: **Active**
Description: 2.50mm (.098") Pitch Wire-to-Board Terminal, 2.30 to 2.80mm (.091 to .110") Strip Length, Phosphor Bronze

Documents:

[Drawing \(PDF\)](#)
[Product Specification PS-35572-001 \(PDF\)](#)
[Product Specification PS-49549-002 \(PDF\)](#)
[Product Specification PS-68426-001 \(PDF\)](#)
[RoHS Certificate of Compliance \(PDF\)](#)



General

Product Family	Crimp Terminals
Series	<u>57915</u>
Crimp Quality Equipment	Yes
Product Name	N/A

Physical

Gender	Female
Material - Metal	Phosphor Bronze
Material - Plating Mating	Tin
Material - Plating Termination	Tin
Packaging Type	Reel
Termination Interface: Style	Crimp or Compression
Wire Insulation Diameter	1.15-1.80mm (.045-.071")
Wire Size AWG	22, 24, 26, 28
Wire Size mm ²	N/A

Material Info

Reference - Drawing Numbers

Product Specification	PS-35572-001, PS-49549-002, PS-68426-001
Sales Drawing	SD-57915-001

EU RoHS

**ELV and RoHS
Compliant**
**REACH SVHC
Contains SVHC: No**
**Halogen-Free
Status**
Halogen-Free

China RoHS



**Need more information on product
environmental compliance?**

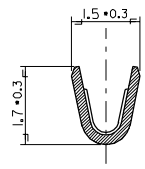
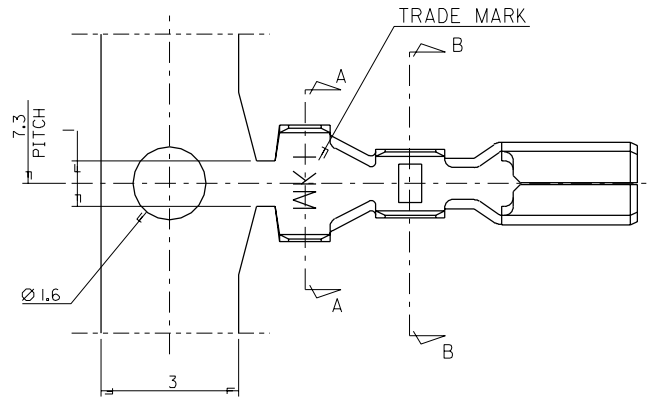
Email productcompliance@molex.com
 For a multiple part number RoHS Certificate of Compliance, [click here](#)

Please visit the [Contact Us](#) section for any non-product compliance questions.

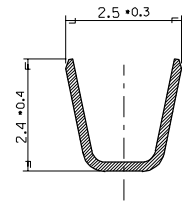
Search Parts in this Series
57915Series

Use With
35572

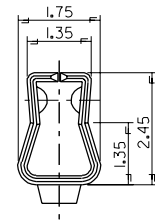
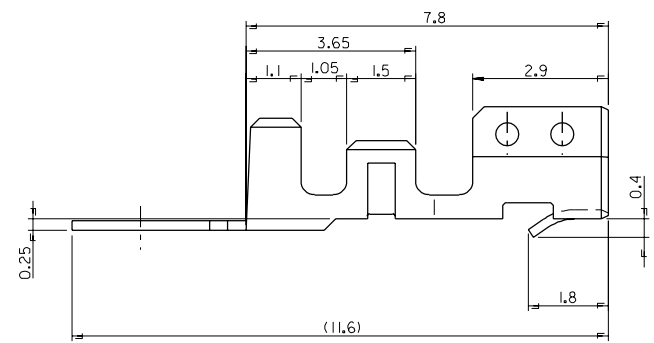
DWG. NO.
SIMILAR ITEM
PROJECT NO.
C
B
DO NOT SCALE DRAWING
DIMENSION IN METRIC



SECTION B-B



SECTION A-A



NOTE

1. MATERIAL : BRASS/PHOSPHOR BRONZE (+0.203)
2. APPLIED HOUSING : 35572-**-00
3. APPLIED WIRE : AWG#22#28(INS. RANGE: ϕ 15 \pm 1.8)

PRE-TINNED BRASS	57915-9002
PRE-TINNED PHOSPHOR BRONZE	57915-8001
MATERIAL	ENG NO.

NEW RELEASED EC NO. KOR2000-0026 DRWN: H.S.SHIN 00/04/19 CHK: J.K.OH APPR: C.W.LEE	DESCRIPTION MAJOR CRITICAL C	GENERAL TOLERANCES: (UNLESS SPECIFIED)		SCALE 10-1	DESIGN UNITS <input checked="" type="checkbox"/> mm <input type="checkbox"/> INCH	DIMENSIONS: <input type="checkbox"/> mm <input type="checkbox"/> INCH <input checked="" type="checkbox"/> mm ONLY	SHT REV	
		4 PLACES $\pm 0.$ \pm	mm $\pm 0.$ INCH \pm	DRAWN BY & DATE H.S.SHIN 00/02/19	TITLE: 2.5 PITCH W/B CONN. CRIMPING TERMINAL			REVISE ON CAD ONLY
		3 PLACES $\pm 0.$ \pm	mm $\pm 0.$ INCH \pm	CHECKED BY & DATE J.K.OH	MOLEX INCORPORATED KOREA			
		2 PLACES $\pm 0.$ \pm	mm $\pm 0.$ INCH \pm	APPROVED BY & DATE C.W.LEE	CAD FILENAME SD57915.DGN	MATERIAL NO. SEE TABLE	DRAWING NO. SD-57915-001	SHEET NO. 1/1
1 PLACE ± 0.2 \pm	mm ± 0.2 INCH \pm	ANGULAR: \pm $^\circ$	THIS DRAWING CONTAINS INFORMATION THAT IS PROPRIETARY TO MOLEX INCORPORATED AND SHOULD NOT BE USED WITHOUT WRITTEN PERMISSION.				SIZE B	
REV A	DRAFT WHERE APPLICABLE MUST REMAIN WITHIN DIMENSIONS						MX-A3	