

**PLEASE CHECK WWW.MOLEX.COM FOR LATEST PART INFORMATION**

**Part Number:** **0672983091**  
**Status:** **Active**  
**Description:** Universal Serial Bus (USB) Shielded I/O Receptacle, Right Angle, Dual Stacked, Type A, 0.76µm (30µ") Gold (Au) Plating, Black Housing, with 4 Beveled Metal Pins, Lead Free

**Documents:**

[3D Model](#) [Product Specification PS-67298-001 \(PDF\)](#)  
[Drawing \(PDF\)](#) [RoHS Certificate of Compliance \(PDF\)](#)

**General**

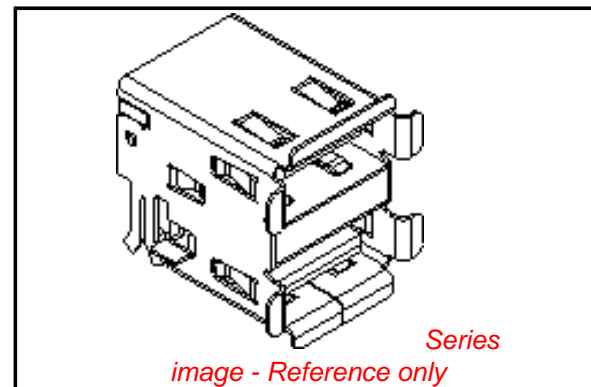
Product Family	I/O Connectors
Series	<a href="#">67298</a>
Application	Wire-to-Board
Comments	4 Beveled Metal Pins
Component Type	Receptacle
Product Name	USB
Type	A

**Physical**

Boot Color	N/A
Circuits (Loaded)	8
Circuits (maximum)	8
Gender	Receptacle
Keying to Mating Part	Yes
Lock to Mating Part	Yes
Material - Plating Mating	Gold
Material - Plating Termination	Tin
Number of Rows	2
Orientation	Right Angle
PC Tail Length (in)	0.110 In
PC Tail Length (mm)	2.80 mm
PCB Locator	Yes
PCB Retention	Yes
PCB Thickness Recommended (in)	0.062 In
PCB Thickness Recommended (mm)	1.60 mm
Packaging Type	Tray
Panel Mount	Yes
Pitch - Mating Interface (in)	0.079 In, 0.098 In
Pitch - Mating Interface (mm)	2.00 mm, 2.50 mm
Pitch - Term. Interface (in)	0.079 In, 0.098 In
Pitch - Term. Interface (mm)	2.00 mm, 2.50 mm
Plating min: Mating (µin)	30
Plating min: Mating (µm)	0.76
Polarized to Mating Part	Yes
Polarized to PCB	Yes
Ports	2
Surface Mount Compatible (SMC)	No
Temperature Range - Operating	0°C to +50°C
Termination Interface: Style	Through Hole
Waterproof / Dustproof	No

**Electrical**

Current - Maximum per Contact	1.5A
Shield Type	Full Shield
Shielded	Yes



**EU RoHS**

**ELV and RoHS Compliant**  
**REACH SVHC**  
 Not Reviewed  
**Halogen-Free Status**  
 Not Reviewed

**China RoHS**



**Need more information on product environmental compliance?**

Email [productcompliance@molex.com](mailto:productcompliance@molex.com)  
 For a multiple part number RoHS Certificate of Compliance, [click here](#)

Please visit the [Contact Us](#) section for any non-product compliance questions.

**Search Parts in this Series**

[67298Series](#)

**Mates With**

USB Type A Plug

Voltage - Maximum

30V DC

**Material Info**

**Reference - Drawing Numbers**

Product Specification

PS-67298-001

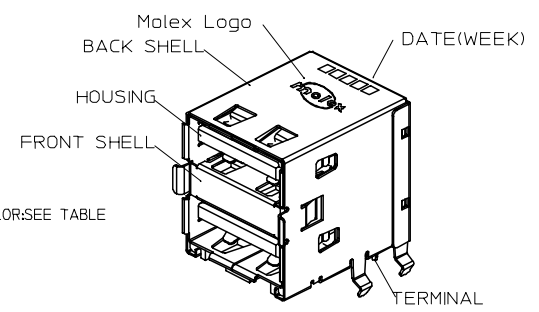
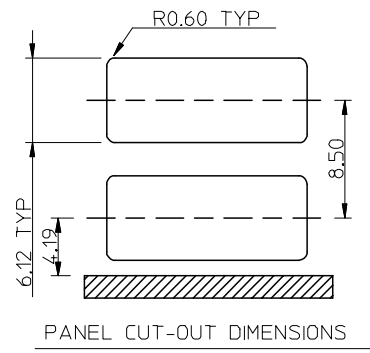
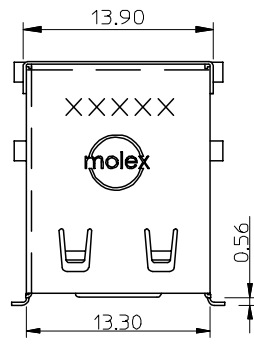
Sales Drawing

SD-67298-008

This document was generated on 03/31/2010

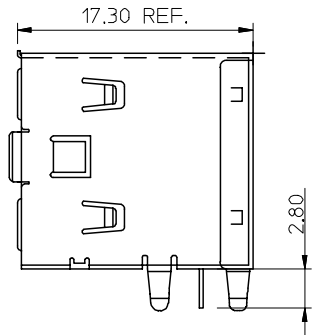
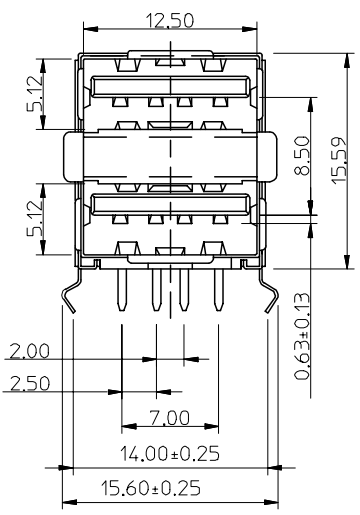
**PLEASE CHECK [WWW.MOLEX.COM](http://WWW.MOLEX.COM) FOR LATEST PART INFORMATION**

7 6 5 4 3 2 1

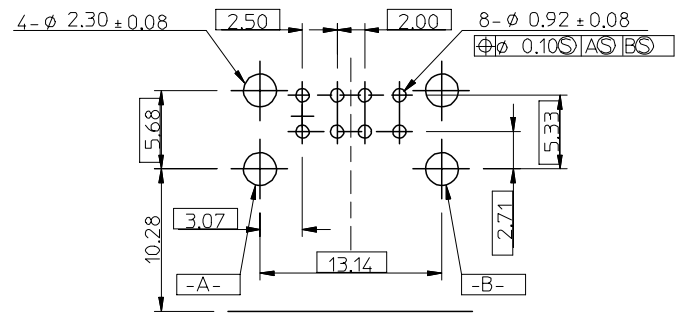


- NOTE :
- MATERIAL :  
HOUSING :POLYESTER(PBT),GLASS FIBER FILLED, UL94-V0,COLOR:SEE TABLE  
TERMINAL :PHOSPHOR BRONZE  
METAL SHELL :FRONT SHELL:SUS 304  
BACK SHELL:SPCC
  - PLATING :  
TERMINAL :  
CONTACT AREA :SEE TABLE  
SOLDER TAIL :TIN(Sn) ALLOY,THICKNESS=75 MICROINCH MIN/1.9 MICROMETER MIN.  
UNDER PLATE :NICKEL(Ni),THICKNESS=50 MICROINCH MIN/1.27 MICROMETER MIN.  
METAL SHELL :TIN PLATING,THICKNESS=100 MICROINCH MIN/2.54 MICROMETER MIN.  
UNDER PLATE :NICKEL (Ni),THICKNESS=50 MICROINCH MIN/1.27 MICROMETER MIN.
  - RECOMMENDED PCB THICKNESS :1.60 +/- 0.05mm
  - PRODUCT SPECIFICATION:REFER TO PS-67298-001
  - TEST SUMMARY:REFER TO TS-67298-008
  - PACKAGING:REFER TO PK-67298-003
  - THE HOUSING MATERIAL IS NOT FOR IR REFLOW PROCESS OR SURFACE MOUNTING COMPATIBLE PROCESS.
  - LEAD FREE AND ROHS COMPLIANCE PRODUCT
  - WEEK CODE XXXXX  

↑	FACTORY
WEEK	YEAR



P/N	COLOR	CONTACT PLATING
67298-3090	BLACK	GOLD FLASH
67298-4090	WHITE	GOLD FLASH
67298-3091	BLACK	30 MICRO INCH
67298-4091	WHITE	30 MICRO CHEN



RECOMMENDED PCB LAYOUT

L/F FOR 67298 EC NO: SH2005020297 DRWN: JCHEN12 2005/05/06 CHKD: 2005/05/10 APPR: WWSCHANG 2005/05/10	QUALITY SYMBOLS ▽=0 ◻=0	GENERAL TOLERANCES (UNLESS SPECIFIED)		DIMENSION STYLE MM ONLY		SCALE	DESIGN UNITS METRIC	THIRD ANGLE PROJECTION	
			mm	INCH	DRAWN BY IVY-LIN	DATE 2005/03/11	TITLE USB DUAL STACKED A CONNECTOR (LEAD FREE VERSION)	MATERIAL NO. SEE TABLE	DOCUMENT NO. SD-67298-008
		4 PLACES	± ---	± ---	CHECKED BY ALL IN	DATE 2005/04/01			
		3 PLACES	± ---	± ---	APPROVED BY WWSCHANG	DATE 2005/04/01			
		2 PLACES	± 0.25	± ---	MOLEX INCORPORATED				
		1 PLACE	± 0.25	± ---	SHEET NO. 1 OF 1				
		ANGULAR ± 3 °		MATERIAL NO. SEE TABLE		THIS DRAWING CONTAINS INFORMATION THAT IS PROPRIETARY TO MOLEX INCORPORATED AND SHOULD NOT BE USED WITHOUT WRITTEN PERMISSION			
		DRAFT WHERE APPLICABLE MUST REMAIN WITHIN DIMENSIONS		SIZE A4					

6 5 4 3 2 1