

PLEASE CHECK WWW.MOLEX.COM FOR LATEST PART INFORMATION

Part Number: [0679130002](#)
Status: **Active**
Description: 2.50mm (.098") Pitch, SDIO Memory Card Connector, Reverse Mount, Ultra Low Profile, Push Push Type, Lead-Free

Documents:

[3D Model](#) [Product Specification PS-67913-002 \(PDF\)](#)
[Drawing \(PDF\)](#) [RoHS Certificate of Compliance \(PDF\)](#)

General

Product Family	Memory Card Sockets
Series	67913
Button Type	Push-Push
Comments	Lead free
Component Type	Header & Ejector (Host)
Product Name	SDIO
Type	N/A

Physical

Card Detection Switch	Yes
Circuits (Loaded)	9
Circuits (maximum)	9
Color - Resin	Black
Durability (mating cycles max)	10,000
Ejector Button Side	No Ejector Button Present
Entry Angle	90° Angle (Side Entry)
Keying to Mating Part	Yes
Material - Metal	Copper Alloy
Material - Plating Mating	Gold
Material - Resin	High Temperature Thermoplastic
PCB Locator	Yes
PCB Mounting Side	Reverse
PCB Retention	Yes
Packaging Type	Embossed Tape on Reel
Pitch - Mating Interface (in)	0.067 In, 0.098 In
Pitch - Mating Interface (mm)	1.70 mm, 2.50 mm
Pitch - Term. Interface (in)	0.067 In, 0.098 In
Pitch - Term. Interface (mm)	1.70 mm, 2.50 mm
Ports	1
Temperature Range - Operating	-25°C to +90°C
Termination Interface: Style	Surface Mount

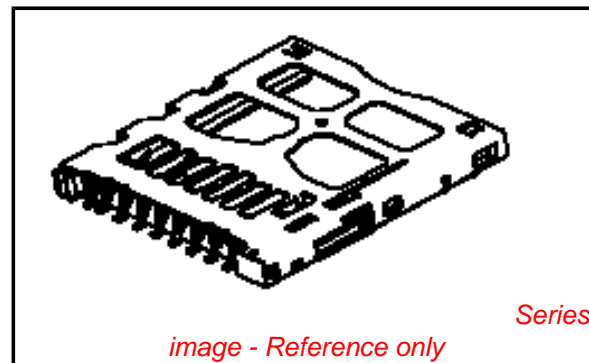
Electrical

Current - Maximum per Contact	0.5A
Shielded	Yes
Voltage - Maximum	100V

Material Info

Reference - Drawing Numbers

Product Specification	PS-67913-002
Sales Drawing	SD-67913-001



EU RoHS

**ELV and RoHS
Compliant**
**REACH SVHC
Contains SVHC: No**
**Halogen-Free
Status**

China RoHS



**Need more information on product
environmental compliance?**

Email productcompliance@molex.com
 For a multiple part number RoHS Certificate of Compliance, [click here](#)

Please visit the [Contact Us](#) section for any non-product compliance questions.

Search Parts in this Series

67913Series

Use With

SDIO

F

E

D

C

B

A

F

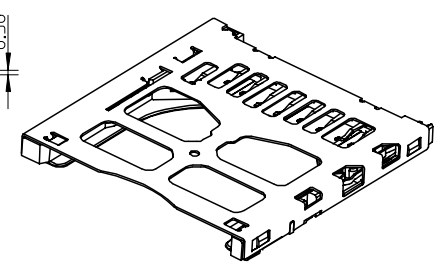
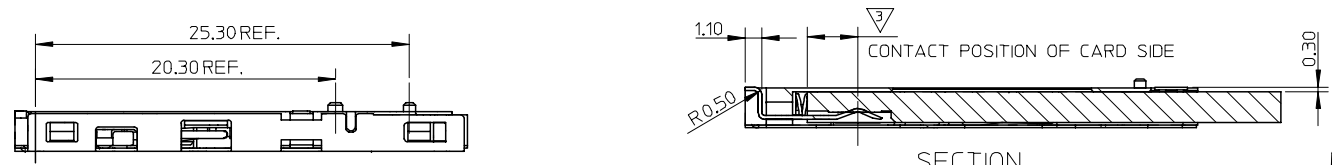
E

D

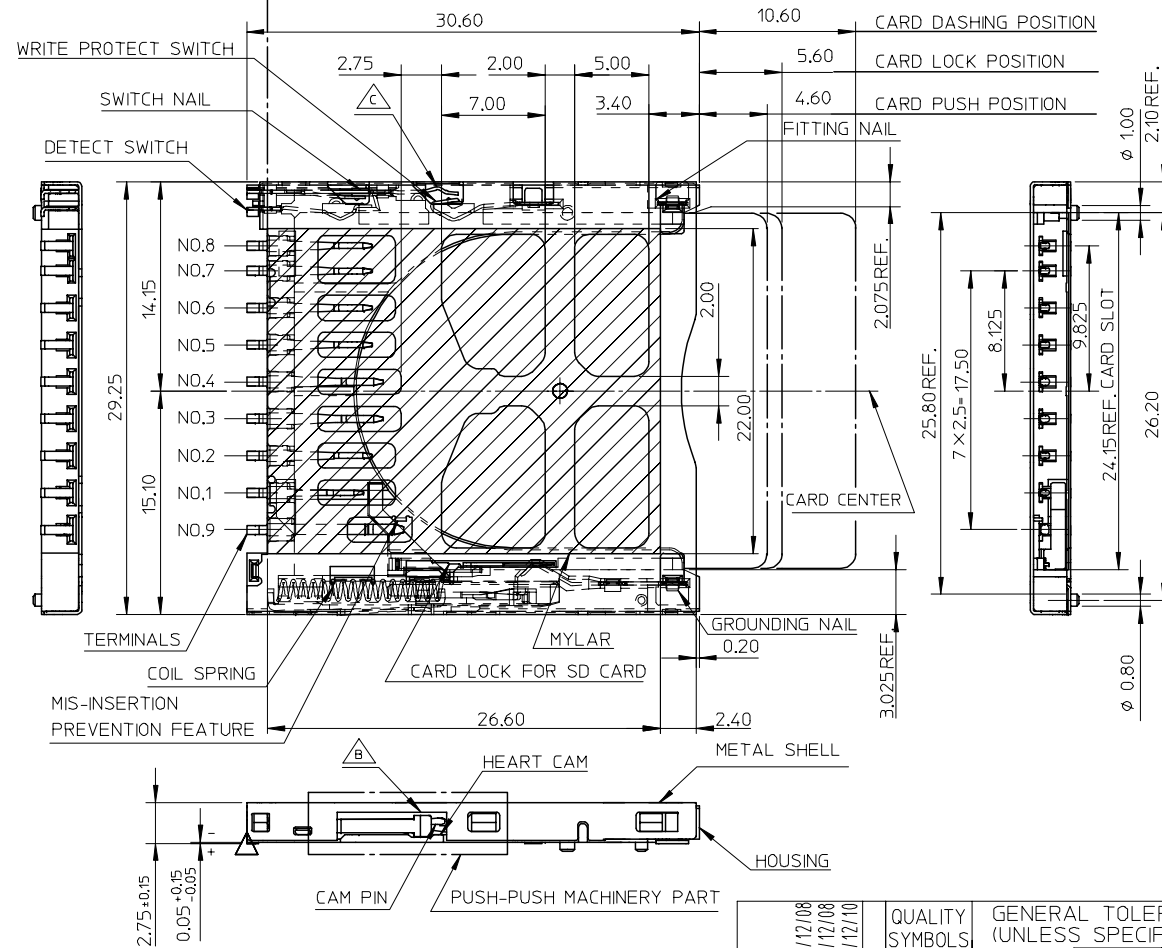
C

B

A



SECTION



- NOTES:
- HOUSING: HIGH TEMPERATURE THERMOPLASTIC.
COLOR: BLACK
 - TERMINAL: COPPER ALLOY, SELECTIVE Au PLATING
 - METAL SHELL: STAINLESS STEEL
 - EACH SWITCHES: COPPER ALLOY, SELECTIVE Au PLATING.
 - EACH NAILS: COPPER ALLOY, SELECTIVE AU PLATING.
 - COIL SPRING: STEEL WIRE.
 - CAM PIN: STAINLESS STEEL
2. TERMINAL AND NAIL COPLANARITY TO BE 0.1MAX
3. CONTACT POSITION OF CARD SIDE

TERMINAL NO.	CONTACT POSITION
NO.1	2.4
NO.2,5,6,7,8	2.9
NO.3,4	3.4
NO.9	5.2

4. OPEN/CLOSE OF EACH SWITCH

	PROTECT TERMINAL		DETECT TERMINAL
	WRITE PROTECT POSITION	WRITE ENABLE POSITION	
CARD UNINSERTION	OPEN	OPEN	OPEN
CARD HALF INSERTION	CLOSE	CLOSE	OPEN
CARD INSERTION	OPEN	CLOSE	CLOSE

- WHEN DELIVERING, THE PUSH/PUSH MECHANISM IS IN THE STATE OF THE UNLOCK.(CARD DASHING OUT POSITION)
- CARD READ ONLY BY THE TIME THE CARD DETECTION.
- I/O CONTACTS, BASED ON SD I/O ASSOC. REV.G.

PART NO.	DESCRIPTION	PRODUCT SPECIFICATION	REMARK
67913-0001	TIN-LEAD	PS-67840-001	FOR SD ONLY
67913-0002	LEAD FREE	PS-67913-002	
67913-0003	TIN-LEAD WITH/MYLAR	PS-67840-001	
67913-0006	TIN-LEAD W/O CARD LOCK PIN	PS-67913-003	SD/MMC

ADD REMARK
EC NO: SH2005-0167
2004/12/08
DRAWN: JIAN
CHKD:GRATE
APPR: YIYAP
2004/12/10

QUALITY SYMBOLS
▽=0
▽=0

GENERAL TOLERANCES (UNLESS SPECIFIED)

	mm	INCH
4 PLACES	± ---	± ---
3 PLACES	± ---	± ---
2 PLACES	± 0.25	± ---
1 PLACE	± 0.25	± ---
ANGULAR ± 3°		

DRAFT WHERE APPLICABLE
MUST REMAIN WITHIN DIMENSIONS

DIMENSION STYLE
MM ONLY

DRAWN BY DATE
MAX 2003/02/13

CHECKED BY DATE
WILSON 2003/02/13

APPROVED BY DATE
ERICK 2003/02/13

MATERIAL NO.
SEE TABLE

SCALE
3:1

DESIGN UNITS
METRIC

THIRD ANGLE PROJECTION

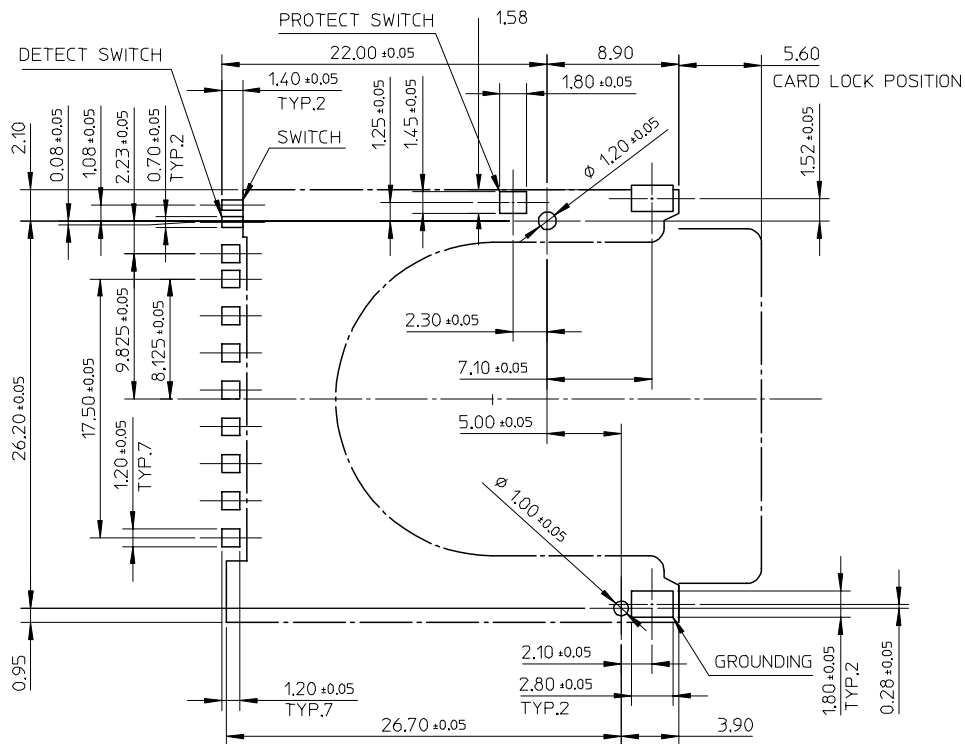
TITLE
SD/I/O CARD CONN.
REVERSE TYPE WITH
PUSH PUSH

MOLEX INCORPORATED

DOCUMENT NO.
SD-67913-001

SHEET NO.
1 OF 3

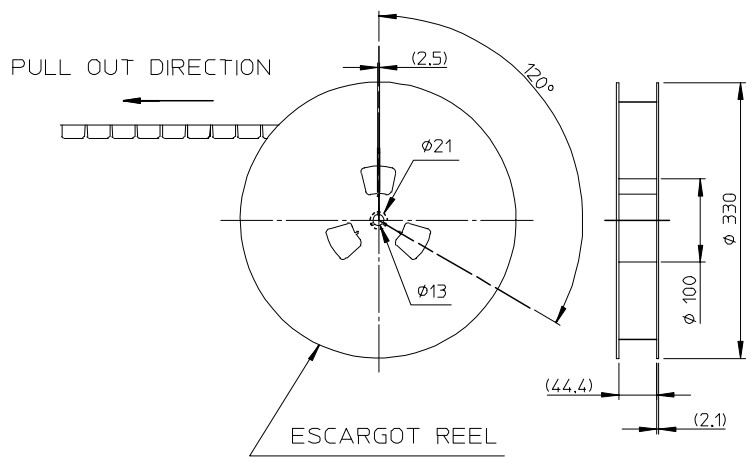
THIS DRAWING CONTAINS INFORMATION THAT IS PROPRIETARY TO MOLEX INCORPORATED AND SHOULD NOT BE USED WITHOUT WRITTEN PERMISSION



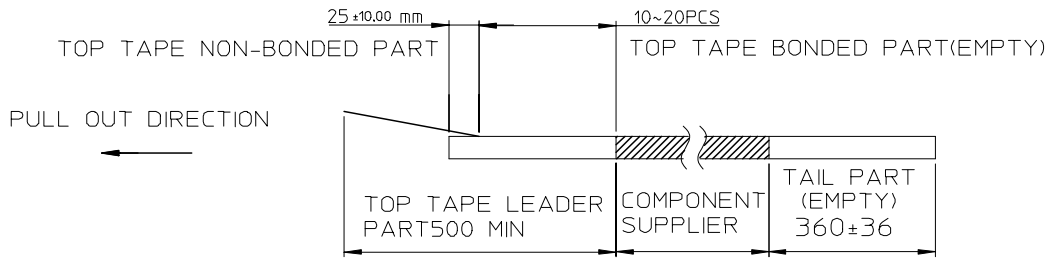
RECOMMENDED P.C.B LAYOUT DIMENSION

ADD REMARK EC NO: SH2005-0167 DRAWN: JIAN CHKD:GRATE APPR: YIYAP	QUALITY SYMBOLS ▽=0 ▽=0	GENERAL TOLERANCES (UNLESS SPECIFIED)		DIMENSION STYLE MM ONLY	SCALE 3:1	DESIGN UNITS METRIC	THIRD ANGLE PROJECTION		
		4 PLACES ± --- ± ---	3 PLACES ± --- ± ---	2 PLACES ± 0.25 ± ---	1 PLACE ± 0.25 ± ---	ANGULAR ± 3 °	DRAWN BY MAX	DATE 2003/02/13	TITLE SD/IO CARD CONN. REVERSE TYPE WITH PUSH PUSH
		DRAFT WHERE APPLICABLE MUST REMAIN WITHIN DIMENSIONS		SEE SHEET 1	MATERIAL NO.	DOCUMENT NO. SD-67913-001	SHEET NO. 2 OF 3	MOLEX INCORPORATED	
		THIS DRAWING CONTAINS INFORMATION THAT IS PROPRIETARY TO MOLEX INCORPORATED AND SHOULD NOT BE USED WITHOUT WRITTEN PERMISSION							

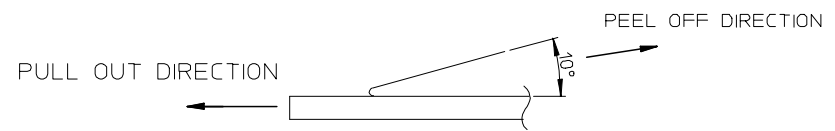
10 9 8 7 6 5 4 3 2 1



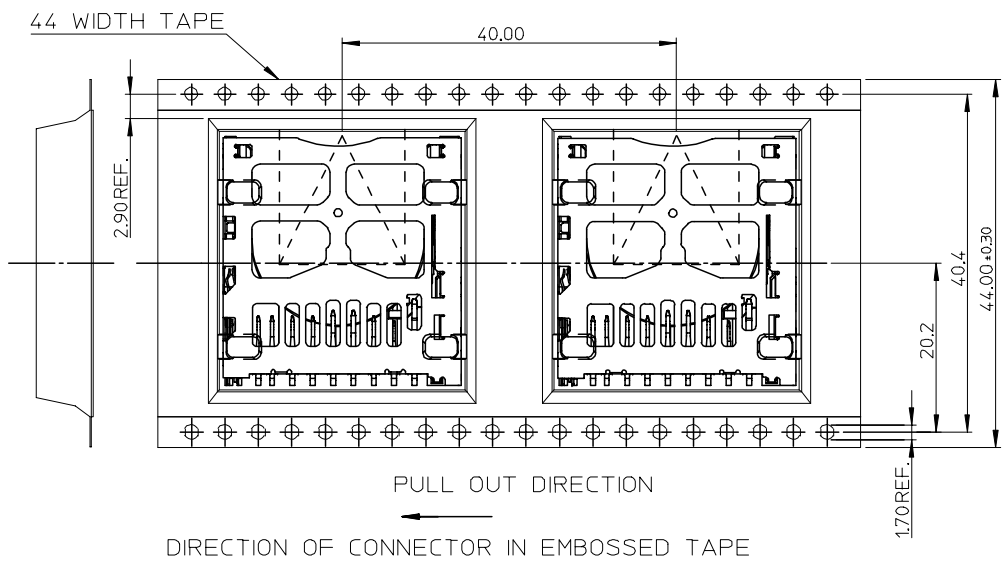
- NOTES**
1. NUMBER OF CONNECTORS: 300 PCS/REEL
 - 2.



3. PEEL OFF FORCE OF TOP TAPE: 0.1~1.3 N (10.2~130gf)
PEELING DIRECTION AS SHOWN IN FOLLOWING FIG.)
(PEEL OFF SPEED: 300mm/min.REF.)



4. PACKAGING DRAWING REFERS TO PK-67913-001.



ADD REMARK EC NO: SH2005-0167 DRAWN: JIYAN CHKD: GRATE APPR: YIYAP	2004/12/08 2004/12/08 2004/12/10	QUALITY SYMBOLS ▽=0 ▽=0	GENERAL TOLERANCES (UNLESS SPECIFIED)		DIMENSION STYLE	SCALE	DESIGN UNITS	THIRD ANGLE PROJECTION			
					MM ONLY	1:1	METRIC				
					DRAWN BY	DATE	TITLE				
					MAX	2003/02/13	SD/IO CARD CONN. REVERSE TYPE WITH PUSH PUSH				
		4 PLACES	± ---	± ---	CHECKED BY	DATE	MOLEX INCORPORATED MOLEX INCORPORATED				
		3 PLACES	± ---	± ---	WILSON	2003/02/13					
		2 PLACES	± 0.25	± ---	APPROVED BY	DATE	DOCUMENT NO.		SHEET NO.		
		1 PLACE	± 0.25	± ---	ERICK	2003/02/13	SD-67913-001			3 OF 3	
		ANGULAR ± 3 °		MATERIAL NO.		DOCUMENT NO.					
		DRAFT WHERE APPLICABLE MUST REMAIN WITHIN DIMENSIONS		SEE SHEET 1		SD-67913-001					
		THIS DRAWING CONTAINS INFORMATION THAT IS PROPRIETARY TO MOLEX INCORPORATED AND SHOULD NOT BE USED WITHOUT WRITTEN PERMISSION									

9 8 7 6 5 4 3 2 1