

**PLEASE CHECK WWW.MOLEX.COM FOR LATEST PART INFORMATION**

**Part Number:** [0679130007](#)  
**Status:** **Active**  
**Description:** 2.50mm (.098") Pitch, SDIO Memory Card Connector, Reverse Mount, Ultra Low Profile, with integrated shell nails, Lead-Free

**Documents:**

[3D Model](#) [RoHS Certificate of Compliance \(PDF\)](#)  
[Drawing \(PDF\)](#)

**General**

Product Family	Memory Card Sockets
Series	<a href="#">67913</a>
Button Type	Push-Push
Comments	SD/SDIO/MMC cards acceptable
Component Type	Header & Ejector (Host)
Product Name	SDIO
Type	N/A

**Physical**

Card Detection Switch	Yes
Circuits (Loaded)	9
Circuits (maximum)	9
Color - Resin	Black
Durability (mating cycles max)	10,000
Ejector Button Side	No Ejector Button Present
Entry Angle	90° Angle (Side Entry)
Keying to Mating Part	Yes
Material - Metal	Copper Alloy
Material - Plating Mating	Gold
Material - Resin	High Temperature Thermoplastic
PCB Locator	Yes
PCB Mounting Side	Reverse
PCB Retention	Yes
Packaging Type	Embossed Tape on Reel
Pitch - Mating Interface (in)	0.067 In, 0.098 In
Pitch - Mating Interface (mm)	1.70 mm, 2.50 mm
Pitch - Term. Interface (in)	0.067 In, 0.098 In
Pitch - Term. Interface (mm)	1.70 mm, 2.50 mm
Ports	1
Termination Interface: Style	Surface Mount

**Electrical**

Current - Maximum per Contact	0.5A
Shielded	Yes
Voltage - Maximum	250V DC

**Material Info**

**Reference - Drawing Numbers**

Sales Drawing	SD-67913-002
---------------	--------------

**EU RoHS**  
**ELV and RoHS**  
**Compliant**  
**REACH SVHC**  
 Not Reviewed  
**Halogen-Free**  
**Status**  
**Not Reviewed**

**China RoHS**



**Need more information on product environmental compliance?**

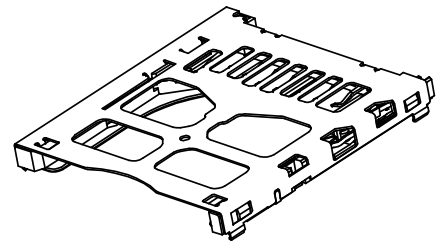
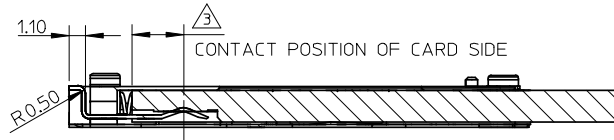
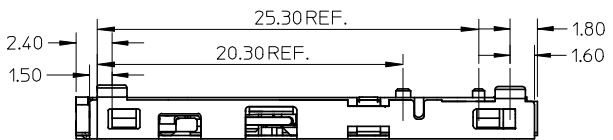
Email [productcompliance@molex.com](mailto:productcompliance@molex.com)  
 For a multiple part number RoHS Certificate of Compliance, [click here](#)

Please visit the [Contact Us](#) section for any non-product compliance questions.

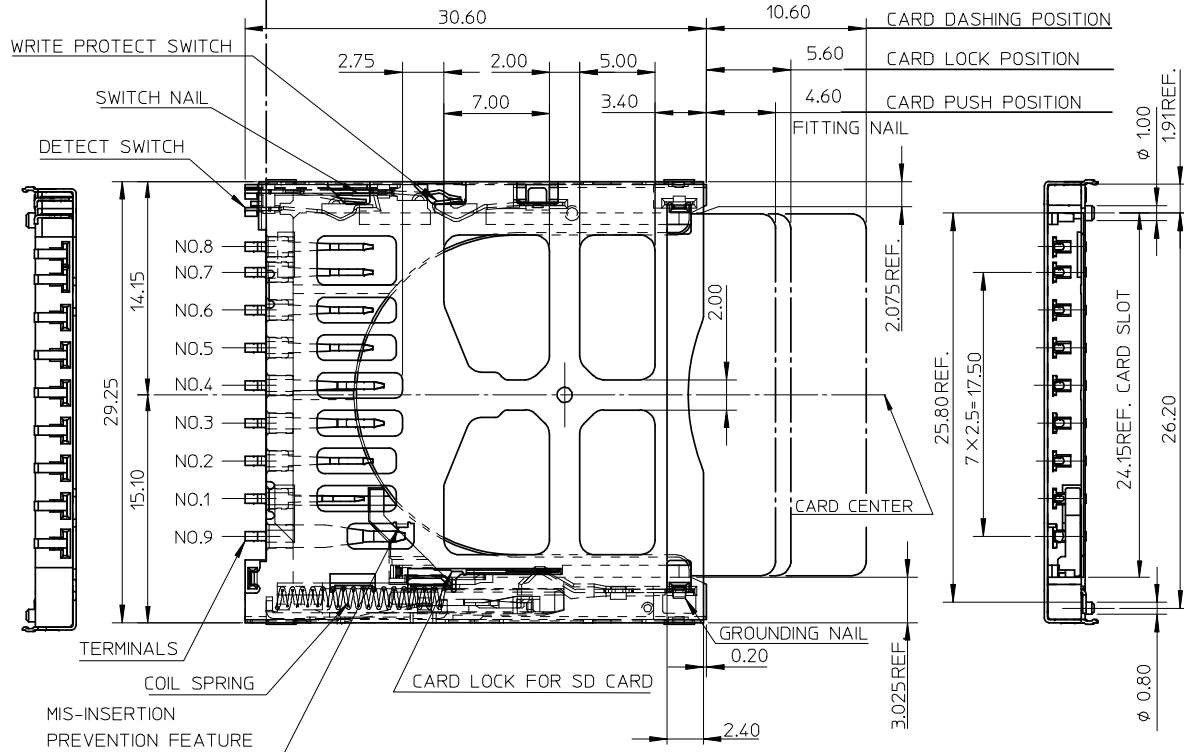
**Search Parts in this Series**  
[67913Series](#)

**Use With**  
 SDIO

10 9 8 7 6 5 4 3 2 1



SECTION



- NOTES:
- HOUSING: HIGH TEMPERATURE THERMOPLASTIC.  
COLOR: BLACK  
TERMINAL: COPPER ALLOY, SELECTIVE Au PLATING  
METAL SHELL: STAINLESS STEEL  
EACH SWITCHES: COPPER ALLOY, SELECTIVE Au PLATING.  
EACH NAILS: COPPER ALLOY, SELECTIVE AU PLATING.  
COIL SPRING: STEEL WIRE.  
CAM PIN: STAINLESS STEEL
  - TERMINAL AND NAIL COPLANARITY TO BE 0.1MAX
  - CONTACT POSITION OF CARD SIDE

TERMINAL NO.	CONTACT POSITION
NO.1	2.4
NO.2,5,6,7,8	2.9
NO.3,4	3.4
NO.9	5.2

4.OPEN/CLOSE OF EACH SWITCH

	PROTECT TERMINAL		DETECT TERMINAL
	WRITE PROTECT POSITION	WRITE ENABLE POSITION	
CARD UNINSERTION	OPEN	OPEN	OPEN
CARD HALF INSERTION	CLOSE	CLOSE	OPEN
CARD INSERTION	OPEN	CLOSE	CLOSE

- WHEN DELIVERING, THE PUSH/PUSH MECHANISM IS IN THE STATE OF THE UNLOCK.(CARD DASHING OUT POSITION)
- CARD READ ONLY BY THE TIME THE CARD DETECTION.
- I/O CONTACTS. BASED ON SD I/O ASSOC. REV.G.
- THE PRODUCT SUPPORT SD,SDIO AND MMC CARD.
- COMPLIANT TO RoHS DIRECTIVE 2002/95/EC AND ELV 2000/53/EC

UPDATE DRAWING  
EC NO: SH2008-0286  
DRWN:L.SONG09 2007/12/13  
CHKD:JTIAN 2007/12/14  
APPR:HWANG 2008/01/09

QUALITY SYMBOLS  
▽=0  
C=0

DESCRIPTION

GENERAL TOLERANCES (UNLESS SPECIFIED)

	mm	INCH
4 PLACES	± ---	+ ---
3 PLACES	± ---	+ ---
2 PLACES	± 0.25	+ ---
1 PLACE	± 0.25	+ ---

ANGULAR ± 3 °

DRAFT WHERE APPLICABLE MUST REMAIN WITHIN DIMENSIONS

DIMENSION STYLE  
MM ONLY

SCALE  
3:1

DESIGN UNITS  
METRIC

THIRD ANGLE PROJECTION

DRAWN BY: LHSHEH DATE: 2005/04/25  
CHECKED BY: GRATE DATE: 2005/04/25  
APPROVED BY: YAP DATE: 2005/04/25

MATERIAL NO.  
679130007

TITLE  
SD/IO CARD CONN.REVERSE TYPE WITH PUSH PUSH AND SHELL'S NAIL (LEAD FREE)

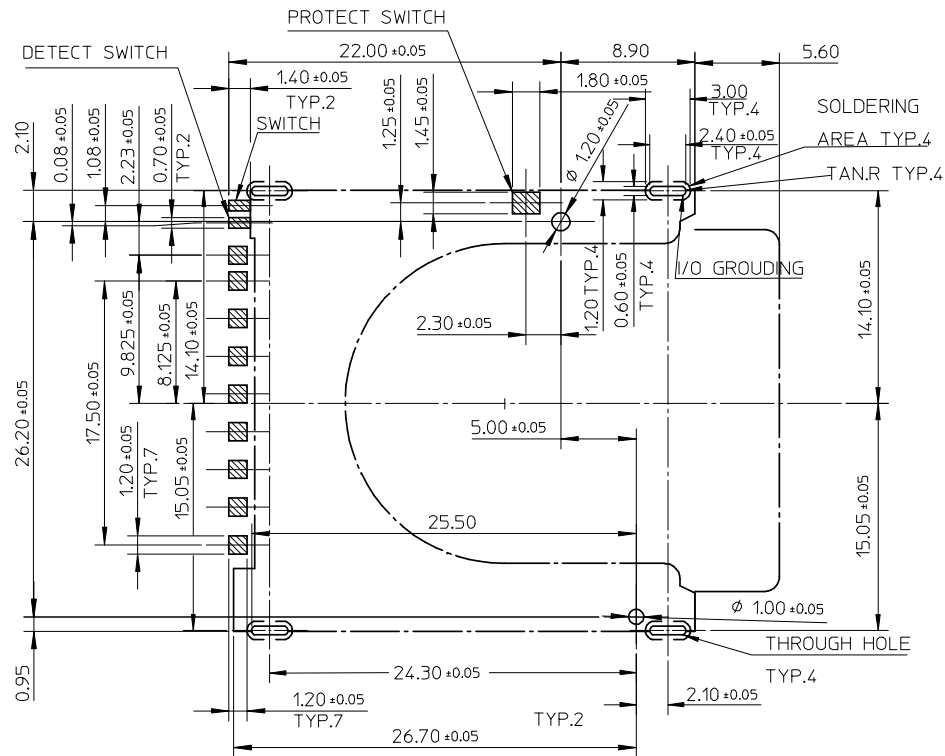
MOLEX INCORPORATED

DOCUMENT NO.  
SD-67913-002

SHEET NO.  
1 OF 3

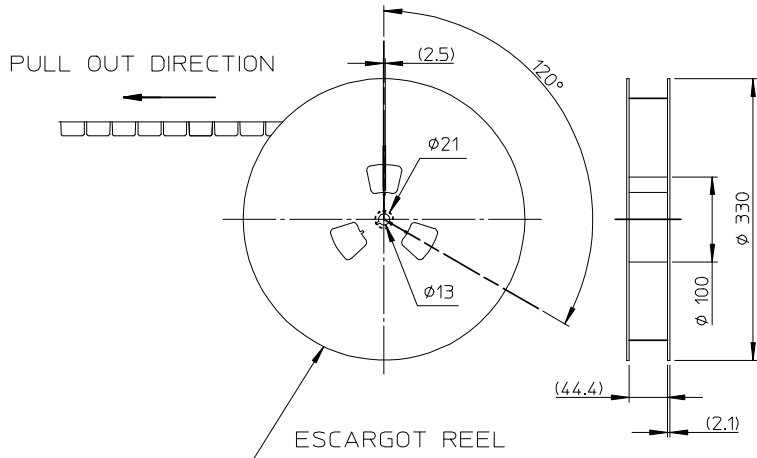
THIS DRAWING CONTAINS INFORMATION THAT IS PROPRIETARY TO MOLEX INCORPORATED AND SHOULD NOT BE USED WITHOUT WRITTEN PERMISSION

9 8 7 6 5 4 3 2 1



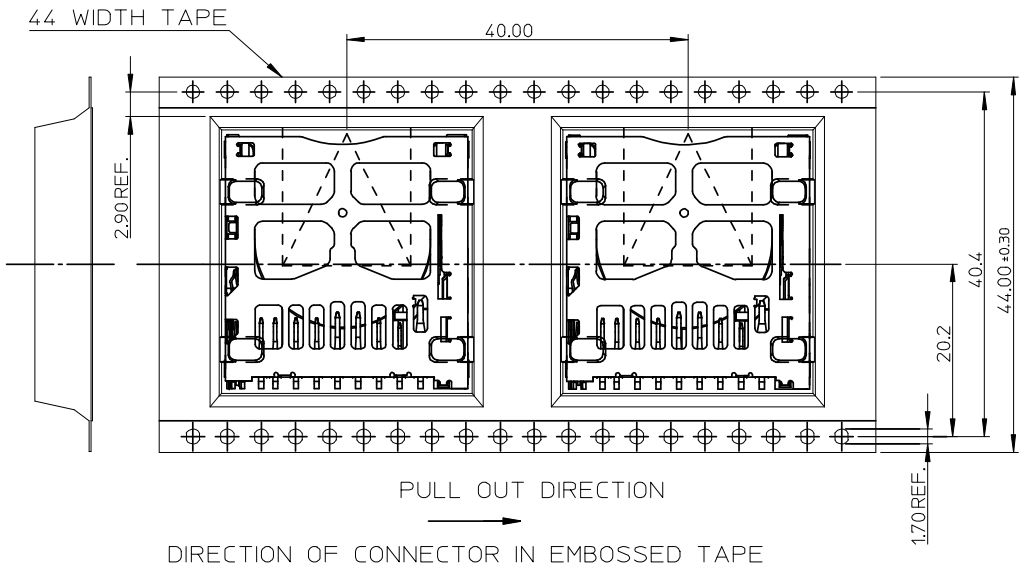
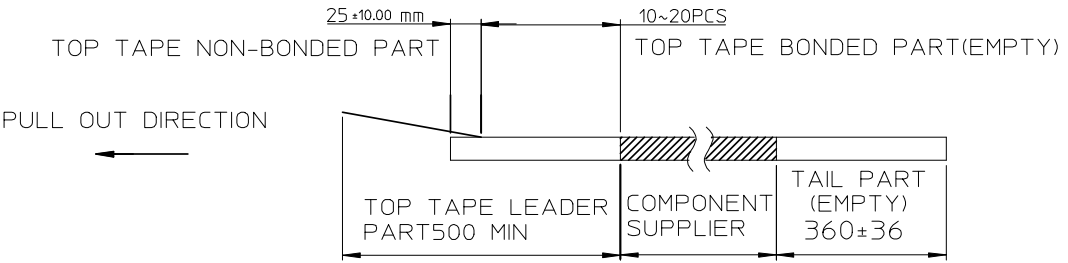
RECOMMENDED P.C.B LAYOUT DIMENSION

UPDATE DRAWING EC NO: SH2008-0286 DRWN: LSONG09 2007/12/13 CHKD: JI IAN 2007/12/14 APPR: HWANG 2008/01/09	DESCRIPTION REV	QUALITY SYMBOLS	GENERAL TOLERANCES (UNLESS SPECIFIED)	DIMENSION STYLE	SCALE	DESIGN UNITS	THIRD ANGLE PROJECTION	
		$\nabla = 0$ $\sphericalangle = 0$	mm INCH 4 PLACES ± --- ± --- 3 PLACES ± --- ± --- 2 PLACES ± 0.25 ± --- 1 PLACE ± 0.25 ± --- ANGULAR ± 3 °	MM ONLY	3:1	METRIC		
			DRAWN BY: LSHEN CHECKED BY: GRATE APPROVED BY: YAP MATERIAL NO. 679130007	DATE: 2005/04/25 DATE: 2005/04/25 DATE: 2005/04/25	TITLE	SD/IO CARD CONN.REVERSE TYPE WITH PUSH PUSH AND SHELL'S NAIL (LEAD FREE)		
		DRAFT WHERE APPLICABLE MUST REMAIN WITHIN DIMENSIONS	SIZE A3 THIS DRAWING CONTAINS INFORMATION THAT IS PROPRIETARY TO MOLEX INCORPORATED AND SHOULD NOT BE USED WITHOUT WRITTEN PERMISSION	MOLEX MOLEX INCORPORATED DOCUMENT NO. SD-67913-002	SHEET NO. 2 OF 3			

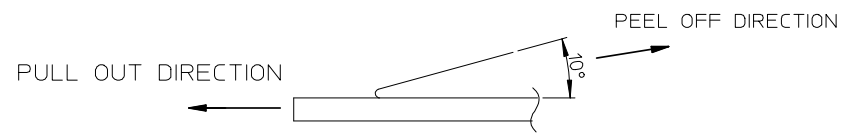


**NOTES**

1. NUMBER OF CONNECTORS: 300 PCS/REEL
- 2.



3. PEEL OFF FORCE OF TOP TAPE: 0.1~1.3 N (10.2~130gf)  
PEELING DIRECTION AS SHOWN IN FOLLOWING FIG.)  
(PEEL OFF SPEED: 300mm/min.REF.)



4. PACKAGING DRAWING REFERS TO PK-67913-001.

UPDATE DRAWING EC NO: SH2008-0286 DRWNL: SONG09 2007/12/13 CHKD: JI'IAN 2007/12/14 APPR: HWANG 2008/01/09	QUALITY SYMBOLS ▽=0 ◻=0	GENERAL TOLERANCES (UNLESS SPECIFIED)		DIMENSION STYLE MM ONLY		SCALE 1:1	DESIGN UNITS METRIC	THIRD ANGLE PROJECTION	
			mm	INCH	DRAWN BY	DATE	TITLE		
		4 PLACES	± ---	± ---	LHSHEN	2005/04/25	SD/IO CARD CONN.REVERSE TYPE WITH PUSH PUSH AND SHELL'S NAIL (LEAD FREE)		
		3 PLACES	± ---	± ---	CHECKED BY	DATE	MOLEX INCORPORATED		
	2 PLACES	± 0.25	± ---	GRATE	2005/04/25	MATERIAL NO. 679130007 DOCUMENT NO. SD-67913-002 SHEET NO. 3 OF 3			
	1 PLACE	± 0.25	± ---	APPROVED BY	DATE	THIS DRAWING CONTAINS INFORMATION THAT IS PROPRIETARY TO MOLEX INCORPORATED AND SHOULD NOT BE USED WITHOUT WRITTEN PERMISSION			
	ANGULAR ± 3 °		DRAFT WHERE APPLICABLE MUST REMAIN WITHIN DIMENSIONS						