

PLEASE CHECK WWW.MOLEX.COM FOR LATEST PART INFORMATION

Part Number: [0679130008](#)
Status: **Active**
Description: 2.50mm (.098") Pitch, SDIO Memory Card Connector, Reverse Mount, Ultra Low Profile, Push Push Type

Documents:

3D Model	Product Specification PS-67913-002 (PDF)
Drawing (PDF)	RoHS Certificate of Compliance (PDF)

General

Product Family	Memory Card Sockets
Series	67913
Button Type	Push-Push
Comments	SD/MMC acceptable. Tin Lead
Component Type	Header & Ejector (Host)
Product Name	SDIO
Type	N/A

Physical

Card Detection Switch	Yes
Circuits (Loaded)	9
Circuits (maximum)	9
Color - Resin	Black
Durability (mating cycles max)	10,000
Ejector Button Side	No Ejector Button Present
Entry Angle	90° Angle (Side Entry)
Keying to Mating Part	Yes
Material - Metal	Copper Alloy
Material - Plating Mating	Gold
Material - Plating Termination	Tin-Lead
Material - Resin	High Temperature Thermoplastic
PCB Locator	Yes
PCB Mounting Side	Reverse
PCB Retention	Yes
Packaging Type	Embossed Tape on Reel
Pitch - Mating Interface (in)	0.067 In, 0.098 In
Pitch - Mating Interface (mm)	1.70 mm, 2.50 mm
Pitch - Term. Interface (in)	0.067 In, 0.098 In
Pitch - Term. Interface (mm)	1.70 mm, 2.50 mm
Ports	1
Temperature Range - Operating	-25°C to +90°C
Termination Interface: Style	Surface Mount

Electrical

Current - Maximum per Contact	0.5A
Shielded	Yes
Voltage - Maximum	250V DC

Material Info

Reference - Drawing Numbers

Product Specification	PS-67913-002
Sales Drawing	SD-67913-011

EU RoHS

Not RoHS Compliant

REACH SVHC

Not Reviewed

Halogen-Free

Status

Not Reviewed

China RoHS



Need more information on product environmental compliance?

Email productcompliance@molex.com
 For a multiple part number RoHS Certificate of Compliance, [click here](#)

Please visit the [Contact Us](#) section for any non-product compliance questions.

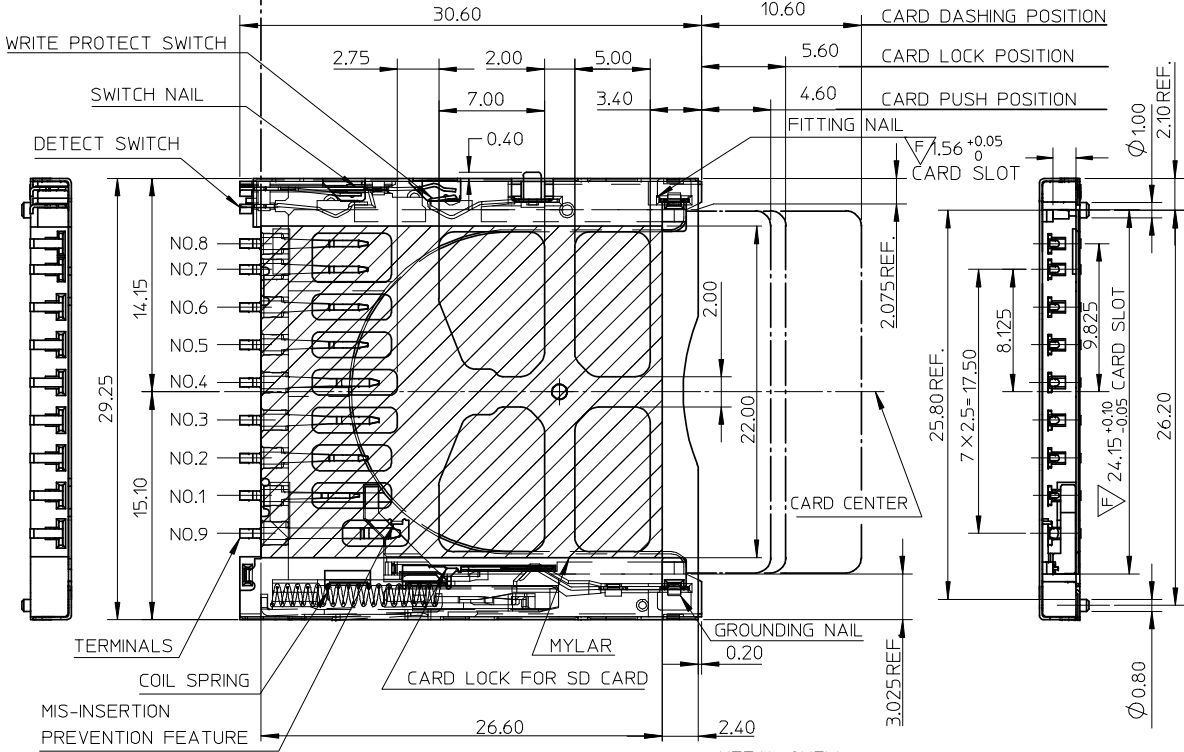
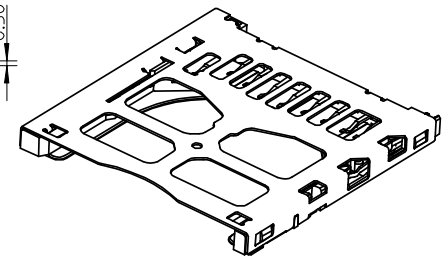
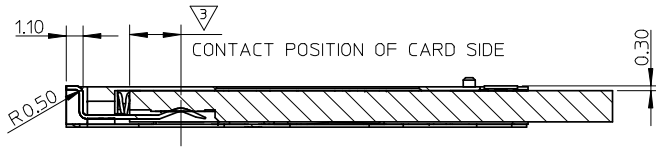
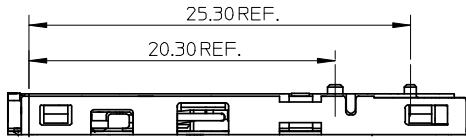
Search Parts in this Series

[67913Series](#)

Use With

SDIO

PLEASE CHECK WWW.MOLEX.COM FOR LATEST PART INFORMATION



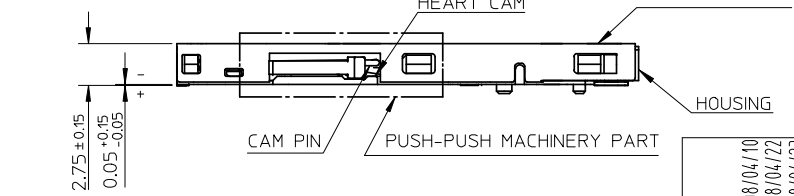
- NOTES:
- HOUSING: HIGH TEMPERATURE THERMOPLASTIC.
COLOR: BLACK
TERMINAL: COPPER ALLOY, SELECTIVE Au PLATING
METAL SHELL: STAINLESS STEEL
EACH SWITCHES: COPPER ALLOY, SELECTIVE Au PLATING.
EACH NAILS: COPPER ALLOY, SELECTIVE AU PLATING.
COIL SPRING: STEEL WIRE.
CAM PIN: STAINLESS STEEL
 - TERMINAL AND NAIL COPLANARITY TO BE 0.1MAX
 - CONTACT POSITION OF CARD SIDE

TERMINAL NO.	CONTACT POSITION
NO.1	2.4
NO.2,5,6,7,8	2.9
NO.3,4	3.4
NO.9	5.2

4.OPEN/CLOSE OF EACH SWITCH

	PROTECT TERMINAL		DETECT TERMINAL
	WRITE PROTECT POSITION	WRITE ENABLE POSITION	
CARD UNINSERTION	OPEN	OPEN	OPEN
CARD HALF INSERTION	CLOSE	CLOSE	OPEN
CARD INSERTION	OPEN	CLOSE	CLOSE

- WHEN DELIVERING, THE PUSH/PUSH MECHANISM IS IN THE STATE OF THE UNLOCK.(CARD DASHING OUT POSITION)
- CARD READ ONLY BY THE TIME THE CARD DETECTION.
- 7.I/O CONTACTS, BASED ON SD I/O ASSOC. REV.G.
- PRODUCT SPECIFICATION REFER TO PS-67913-002.



PART NO.	DESCRIPTION	REMARK
67913-0011	TIN-LEAD	FOR SD ONLY
67913-8011	LEAD-FREE	
67913-0008	TIN-LEAD	SD/MMC
67913-8008	LEAD-FREE	

REVISED
EC NO: SH2008-0499
DRWNL:SONG09 2008/04/10
CHKD:JTIAN 2008/04/22
APPR:HWANG 2008/04/23

QUALITY SYMBOLS
▽=0
▽C=0

GENERAL TOLERANCES (UNLESS SPECIFIED)

	mm	INCH
4 PLACES	±---	±---
3 PLACES	±---	±---
2 PLACES	±0.25	±---
1 PLACE	±0.25	±---
ANGULAR ± 3°		

DRAFT WHERE APPLICABLE MUST REMAIN WITHIN DIMENSIONS

DIMENSION STYLE
MM ONLY

DRAWN BY: MAX
DATE: 2003/02/13

CHECKED BY: WILSON
DATE: 2003/02/13

APPROVED BY: ERICK
DATE: 2003/02/13

MATERIAL NO. SEE TABLE

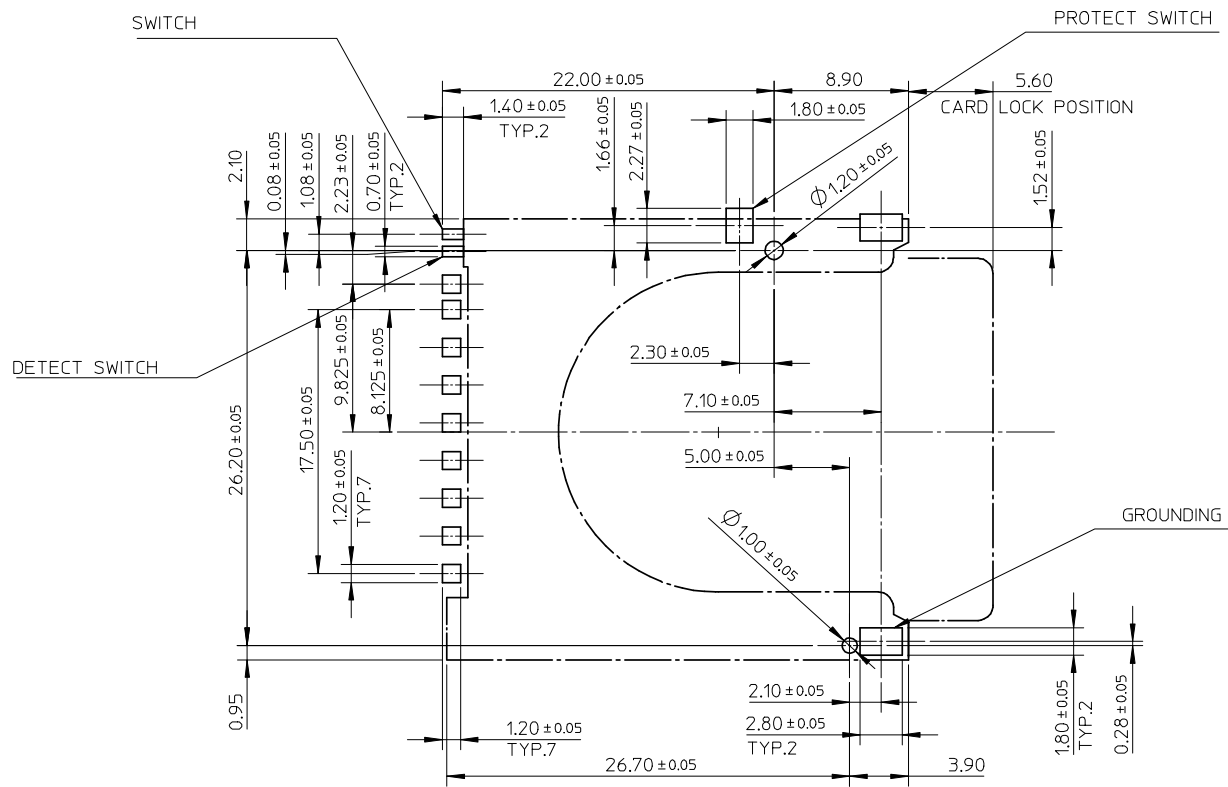
SCALE 3:1
DESIGN UNITS METRIC
THIRD ANGLE PROJECTION

SD/IO CARD CONN.
REVERSE TYPE WITH
PUSH PUSH

MOLEX INCORPORATED

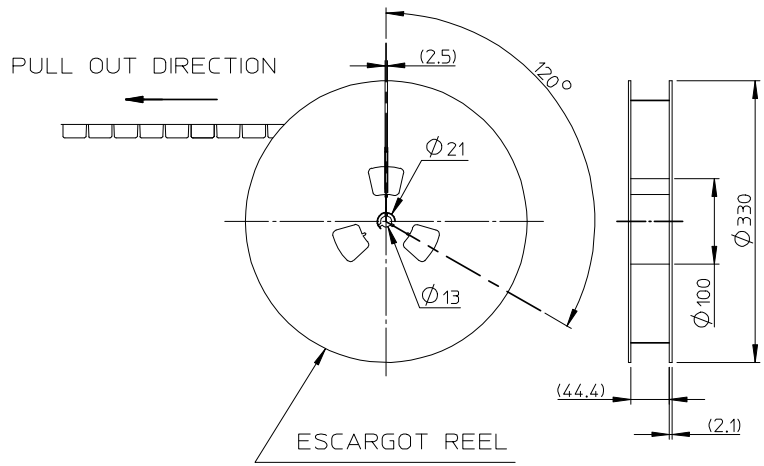
DOCUMENT NO. SD-67913-011
SHEET NO. 1 OF 3

THIS DRAWING CONTAINS INFORMATION THAT IS PROPRIETARY TO MOLEX INCORPORATED AND SHOULD NOT BE USED WITHOUT WRITTEN PERMISSION



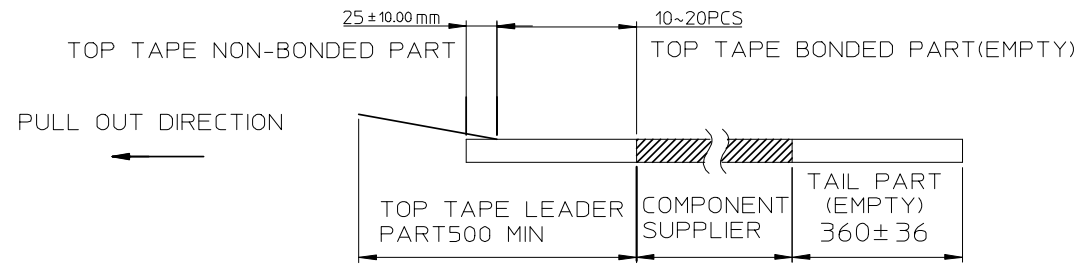
RECOMMENDED P.C.B LAYOUT DIMENSION

REVISED EC NO: SH2008-0499 DRWNL:SONG09 CHKD:JT IAN APPR:HWANG 2008/04/10 2008/04/22 2008/04/23	DESCRIPTION T1	QUALITY SYMBOLS ▽=0 ◻=0	GENERAL TOLERANCES (UNLESS SPECIFIED) mm INCH 4 PLACES ± --- ± --- 3 PLACES ± --- ± --- 2 PLACES ± 0.25 ± --- 1 PLACE ± 0.25 ± --- ANGULAR ± 3 °	DIMENSION STYLE MM ONLY DRAWN BY: MAX DATE: 2003/02/13 CHECKED BY: WILSON DATE: 2003/02/13 APPROVED BY: ERICK DATE: 2003/02/13	SCALE 3:1	DESIGN UNITS METRIC	THIRD ANGLE PROJECTION	TITLE SD/IO CARD CONN. REVERSE TYPE WITH PUSH PUSH
		DRAFT WHERE APPLICABLE MUST REMAIN WITHIN DIMENSIONS	MATERIAL NO. SEE SHEET 1	DOCUMENT NO. SD-67913-011	SHEET NO. 2 OF 3			
		THIS DRAWING CONTAINS INFORMATION THAT IS PROPRIETARY TO MOLEX INCORPORATED AND SHOULD NOT BE USED WITHOUT WRITTEN PERMISSION						
		MOLEX INCORPORATED						
		MOLEX						

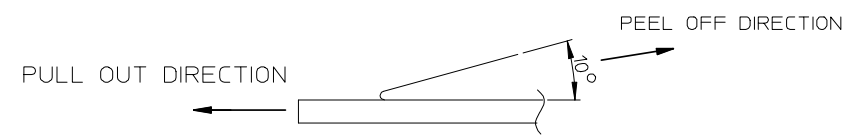


NOTES

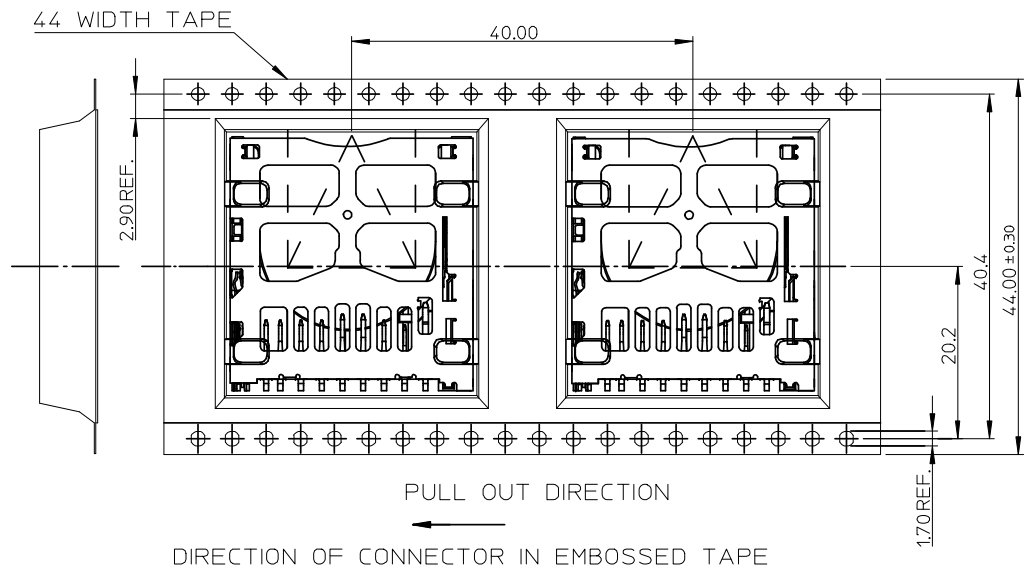
1. NUMBER OF CONNECTORS: 300 PCS/REEL
- 2.



3. PEEL OFF FORCE OF TOP TAPE: 0.1~1.3 N (10.2~130gf)
PEELING DIRECTION AS SHOWN IN FOLLOWING FIG.)
(PEEL OFF SPEED: 300mm/min.REF.)



4. PACKAGING DRAWING REFERS TO PK-67913-001.



REVISED EC NO: SH2008-0499 DR: WNLSONG09 CHKD: JTIAN APPR: HWANG	2008/04/10 2008/04/22 2008/04/23	DESCRIPTION REV	QUALITY SYMBOLS	GENERAL TOLERANCES (UNLESS SPECIFIED) mm INCH 4 PLACES ± --- ± --- 3 PLACES ± --- ± --- 2 PLACES ± 0.25 ± --- 1 PLACE ± 0.25 ± --- ANGULAR ± 3 °	DIMENSION STYLE	SCALE	DESIGN UNITS	THIRD ANGLE PROJECTION
			▼ = 0 ◻ = 0		MM ONLY	1:1	METRIC	⊕ ◻ THIRD ANGLE PROJECTION
			DRAWN BY MAX		DATE	TITLE		
			CHECKED BY WILSON		DATE	SD/IO CARD CONN. REVERSE TYPE WITH PUSH PUSH		
				APPROVED BY ERICK	DATE	MOLEX INCORPORATED DOCUMENT NO. SD-67913-011		
				MATERIAL NO. SEE SHEET 1	DATE	SHEET NO. 3 OF 3		
				DRAFT WHERE APPLICABLE MUST REMAIN WITHIN DIMENSIONS				
				THIS DRAWING CONTAINS INFORMATION THAT IS PROPRIETARY TO MOLEX INCORPORATED AND SHOULD NOT BE USED WITHOUT WRITTEN PERMISSION				