

PLEASE CHECK WWW.MOLEX.COM FOR LATEST PART INFORMATION

Part Number: [0850010086](#)
Status: **Active**
Overview: IEC 603-2 / DIN 41612
Description: 2.54mm (.100") Pitch DIN 41612 B Style Male Header, PCT, Right Angle, Through Hole, 0.60µm (24µ") Selective Gold (Au) Plating, 32 Circuits, with Mounting Clips, No Flux Proof

Documents:

[Drawing \(PDF\)](#) [RoHS Certificate of Compliance \(PDF\)](#)
[Product Specification PS-85003-0001 \(PDF\)](#)

Agency Certification

CSA LR19980
 UL E29179

General

Product Family Backplane Connectors
 Series [85001](#)
 Application Backplane
 Comments No Mounting Clips. No Flux Proof. 4.2mm(.165") Last-Mate- First-Break Contacts. 5.4mm(.213") First-Mate-Last-Break Contacts. 4.8mm (.189") Normal Contacts
 Component Type PCB Header
 Overview [IEC 603-2 / DIN 41612](#)
 Product Name IEC 603-2/DIN 41612
 Style B

Physical

Circuits (Loaded) 32
 Circuits (maximum) 32
 Circuits Detail Contact Positions: a1-a32
 Color - Resin Natural
 Durability (mating cycles max) 400
 First Mate / Last Break Yes
 Flammability 94V-0
 Guide to Mating Part No
 Keying to Mating Part Yes
 Material - Metal Brass
 Material - Plating Mating Gold
 Material - Plating Termination Tin
 Material - Resin Polyester
 Number of Columns 16
 Number of Pairs Open Pin Field
 Number of Rows 2
 Orientation Right Angle
 PC Tail Length (in) 0.118 In
 PC Tail Length (mm) 3.00 mm
 PCB Locator No
 PCB Retention Yes
 Packaging Type Carton
 Pitch - Mating Interface (in) 0.100 In
 Pitch - Mating Interface (mm) 2.54 mm
 Pitch - Term. Interface (in) 0.100 In
 Pitch - Term. Interface (mm) 2.54 mm
 Plating min: Mating (µin) 24
 Plating min: Mating (µm) 0.60

EU RoHS **China RoHS**

Compliance Status

Not Reviewed

REACH SVHC

Not Reviewed

Halogen-Free

Status

Not Reviewed

Need more information on product environmental compliance?

Email productcompliance@molex.com
 For a multiple part number RoHS Certificate of Compliance, [click here](#)

Please visit the [Contact Us](#) section for any non-product compliance questions.

Search Parts in this Series

[85001Series](#)

Plating min: Termination (μ in)	98
Plating min: Termination (μ m)	2.5
Polarized to PCB	Yes
Stackable	No
Surface Mount Compatible (SMC)	No
Temperature Range - Operating	-55°C to +125°C
Termination Interface: Style	Through Hole

Electrical

Current - Maximum per Contact	1A
Data Rate	622.0 Mbps
Voltage - Maximum	250V AC (RMS)

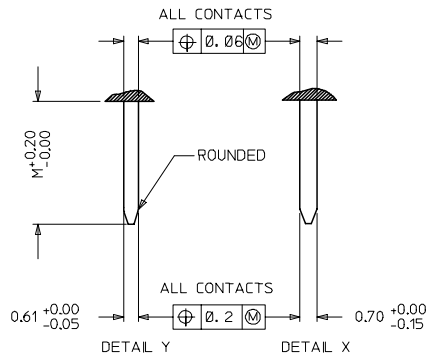
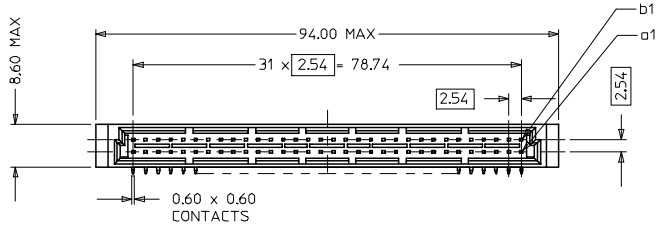
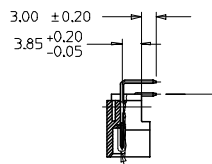
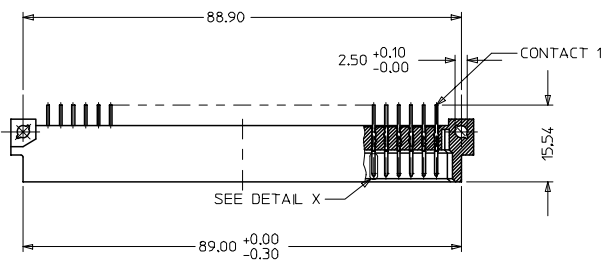
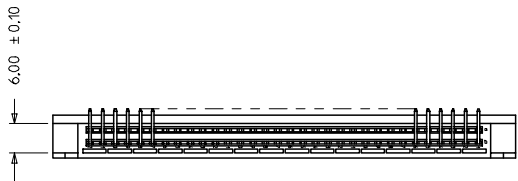
Material Info

Reference - Drawing Numbers

Product Specification	PS-85003-0001
Sales Drawing	SD-85001-0001, SD-85001-0086, SDA-85001-0001, SDA-85001-0086

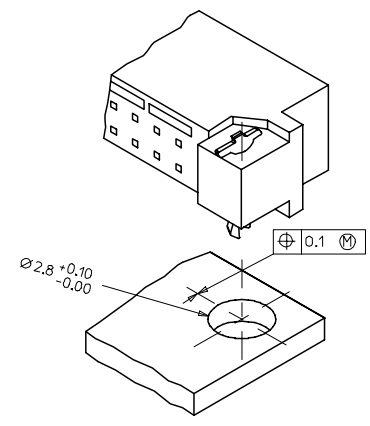
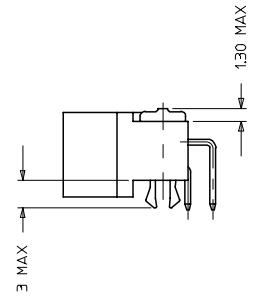
This document was generated on 03/09/2010

PLEASE CHECK WWW.MOLEX.COM FOR LATEST PART INFORMATION



WITH MOUNTING CLIPS

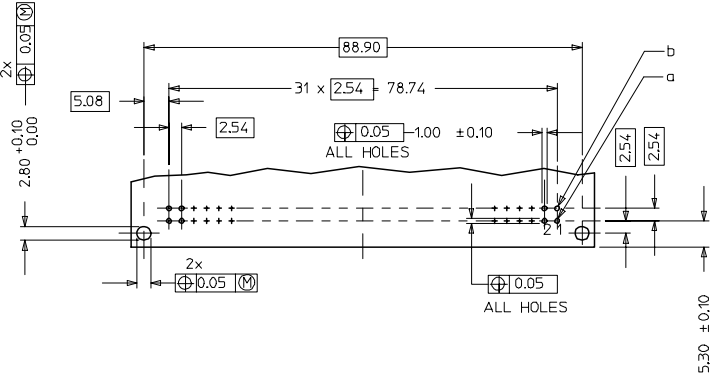
8:1



NOTES:

- MATERIALS: THERMX (PCT), GLASS FILLED, UL94V-0.COLOUR: NATURAL
TERMINAL - BRASS
MOUNTING CLIP: STEEL
- FINISH: TERMINAL-
CONTACT AREA
1. PERFORMANCE LEVEL 1: SELECTIVE GOLD (Au), THICKNESS = 1.1 MICROMETER
OVER NICKEL, THICKNESS = 1.25 MICROMETER
2. PERFORMANCE LEVEL 2: SELECTIVE GOLD (Au), THICKNESS = 0.6 MICROMETER
OVER NICKEL, THICKNESS = 1.25 MICROMETER
3. PERFORMANCE LEVEL 3: SELECTIVE GOLD (Au), THICKNESS = 0.3 MICROMETER
OVER NICKEL, THICKNESS = 1.25 MICROMETER
TERMINATION AREA:
SELECTIVE TIN, THICKNESS = 2.5 MICROMETER
OVER NICKEL, THICKNESS = 1.25 MICROMETER OVERALL
- MOUNTING CLIP:-
TIN (Sn), THICKNESS = 5-10 MICROMETER,
OVER NICKEL (Ni), THICKNESS = 2.5 MICROMETER
- FOR NON MOUNTING CLIP OPTION, CONNECTOR TO BE SECURED WITH
RIVETS: 2 TUBULAR RIVETS 2.5 x 0.3 _ DIN 7340
SCREWS: 2 CHEESEHEAD SCREWS M2.5 x _ DIN 84 AND 2 HEXAGONAL NUTS M2.5 DIN 934
- MATERIAL NUMBER, BATCH CODE, UL AND CSA MARKING
TO BE PRINTED ON THE CONNECTOR
- CUT FACE OF TIP WITHOUT PLATING PERMITTED
- PRODUCT SPECIFICATION PS : 85003-0001

RECOMMENDED PCB LAYOUT
COMPONENT SIDE



LMFB CONTACTS	4.2
FMLB CONTACTS	5.4
NORMAL CONTACTS	4.8
	M

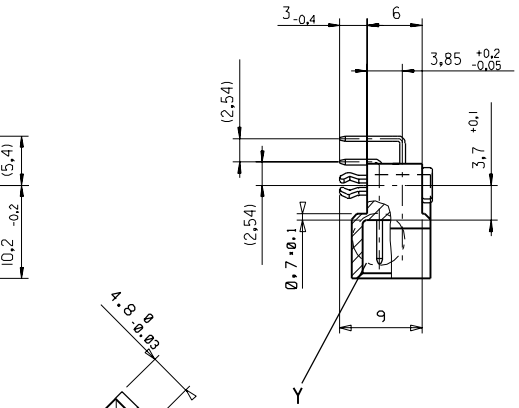
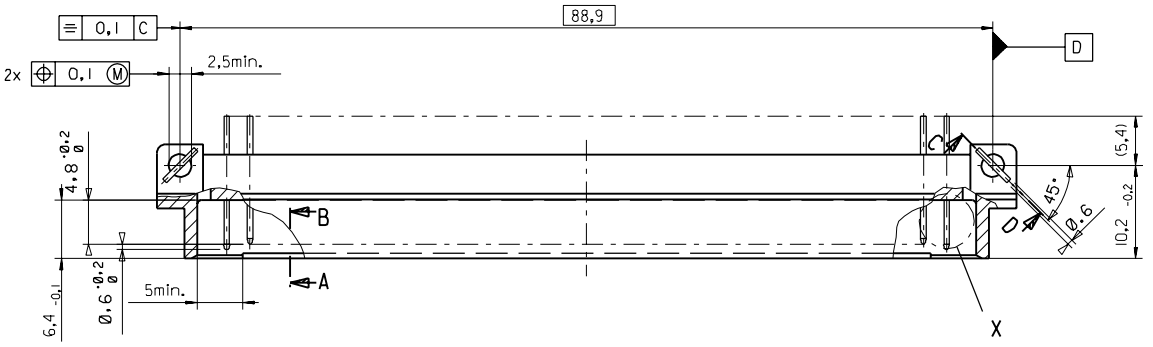
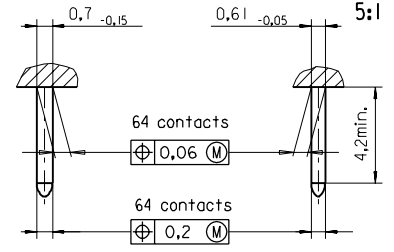
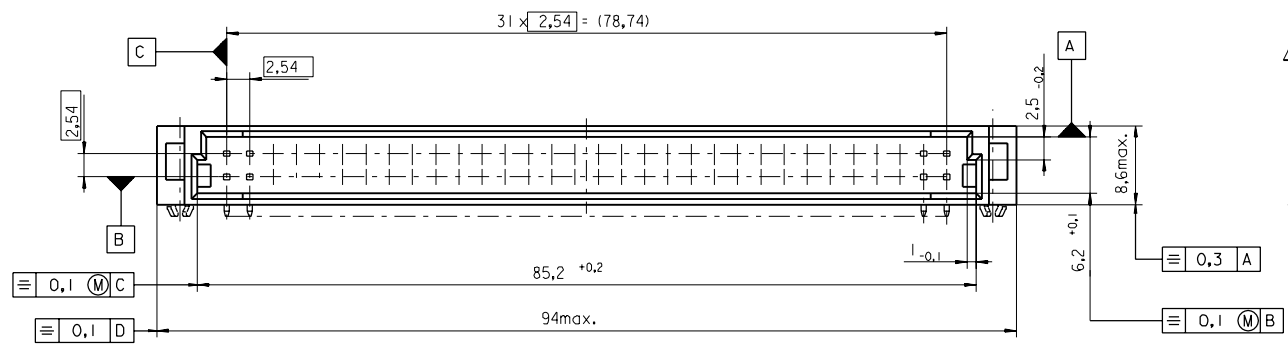
RoHS COMPLIANT

ENTER DESCRIPTION ELC INC. 2007-0193 DRAWING NO. 2007/01108 CHECKED BY CHIKOSUDHIR APPROVED BY APPROPRIATE	QUALITY SYMBOLS ▽=0 ▽=0	GENERAL TOLERANCES (UNLESS SPECIFIED)		DIMENSION STYLE MM ONLY		SCALE 2:1	DESIGN UNITS METRIC	THIRD ANGLE PROJECTION	
		4 PLACES ± --- ± --- 3 PLACES ± 0.05 ± --- 2 PLACES ± 0.1 ± --- 1 PLACE ± 0.15 ± ---	INCH ± --- ± --- ± ---	DRAWN BY SS	DATE 1999/10/14	CHECKED BY G J LOWE	DATE 1999/10/14	ASSEMBLY, DIN 41612, B MALE, 64 POS	
DRAFT WHERE APPLICABLE MUST REMAIN WITHIN DIMENSIONS		MATERIAL NO. SEE CHART		DATE 1999/10/14		MOLEX INCORPORATED			
		SIZE A 1		THIS DRAWING CONTAINS INFORMATION THAT IS PROPRIETARY TO MOLEX INCORPORATED AND SHOULD NOT BE USED WITHOUT WRITTEN PERMISSION			DOCUMENT NO. SD-85001-0001		SHEET NO. 1 OF 1

PART NO.
DWG. NO.

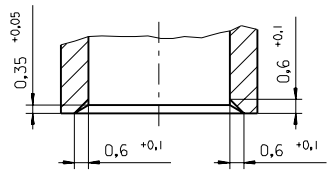
View X
5:1

View Y
5:1



Section C - D

Section A - B
5:1



FIRST ANGLE PROJECTION		REVISE ONLY ON CAD SYSTEM		SH.	REV.
first release see ECN No. 1887	L TR REVISIONS FOR PREVIOUS REVISIONS SEE MRI LIST	UNLESS OTHERWISE SPECIFIED TOLERANCES: ANGULAR ±2°	DRWG BY SIGN Ca	CAD/CAM PROJECT NAME 85001000 811	
		INCH METRIC	CHK'D BY SIGN KN	THIS DRAWING CONTAINS INFORMATION THAT IS PROPRIETARY TO MOLEX INC. & SHOULD NOT BE USED WITHOUT WRITTEN PERMISSION	
		3 PLACE ± . ±	APP'D BY SIGN	TITLE 64 pos. Male connector acc. DIN 41612 style B Dimensions	
		2 PLACE ± . ±	SCALE 2:1	SHEET NO. DATE 1 OF 95/06/06	
	DESIGN DIMENSION <input checked="" type="checkbox"/> MM			MOLEX MOLEX EUROPE	
	EQUIVALENT DIMENSION <input type="checkbox"/> MM			SHEET NO. DATE 1 OF 95/06/06	
	IF TWO DIMENSIONS ARE SHOWN THE UPPER IS THE DESIGN DIMENSION, LOWER IS SECONDARY			PART NO. DWG NO. SIZE	
				SDA-85001-0001 B	

