

**PLEASE CHECK WWW.MOLEX.COM FOR LATEST PART INFORMATION**

**Part Number:** [0945101203](#)  
**Status:** **Active**  
**Description:** Fork Terminal for 0.75-1.00mm<sup>2</sup> (18 AWG) wire

**Documents:**

[Drawing \(PDF\)](#) [RoHS Certificate of Compliance \(PDF\)](#)  
[Product Specification PS-94509-002 \(PDF\)](#)

**General**

Product Family Crimp Terminals  
 Series [94510](#)  
 Crimp Quality Equipment Yes  
 Product Name Fork Terminal

**Physical**

Durability (mating cycles max) 20  
 Gender Female  
 Material - Metal Phosphor Bronze  
 Material - Plating Mating Tin  
 Material - Plating Termination Tin  
 Packaging Type Reel  
 Plating min: Mating (µin) 120.00  
 Plating min: Mating (µm) 3.000  
 Plating min: Termination (µin) 120.00  
 Plating min: Termination (µm) 3.00  
 Termination Interface: Style Crimp or Compression  
 Wire Insulation Diameter 2.10mm  
 Wire Size AWG 18  
 Wire Size mm<sup>2</sup> 0.75 - 1.00

**Electrical**

Current - Maximum per Contact 6A  
 Voltage - Maximum 50V

**Material Info**

**Reference - Drawing Numbers**

Product Specification PS-94509-002  
 Sales Drawing SD-94510-1X03

**EU RoHS** **China RoHS**

**Compliance Status**

**Not Reviewed**

**REACH SVHC**

**Not Reviewed**

**Halogen-Free**

**Status**

**Not Reviewed**

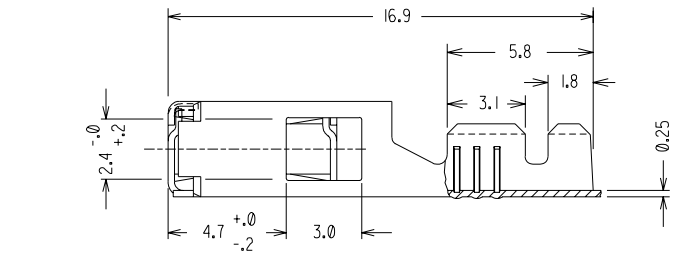
**Need more information on product environmental compliance?**

Email [productcompliance@molex.com](mailto:productcompliance@molex.com)  
 For a multiple part number RoHS Certificate of Compliance, [click here](#)

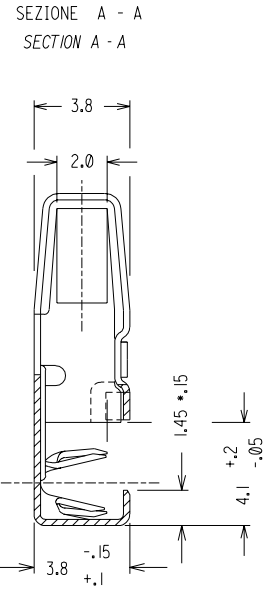
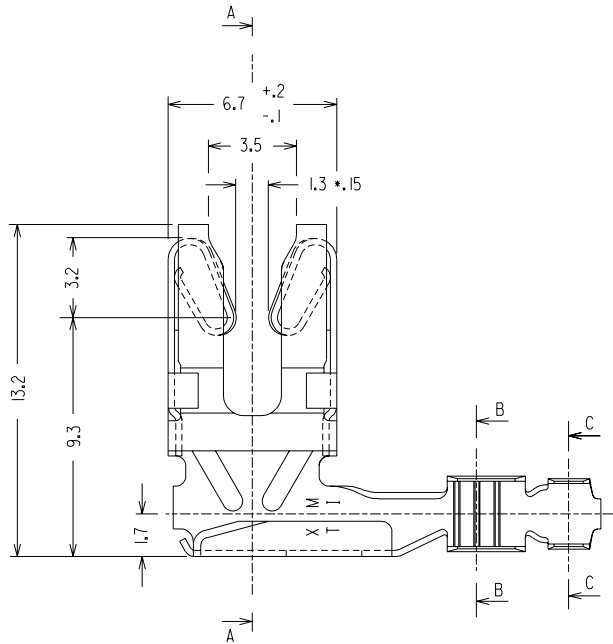
Please visit the [Contact Us](#) section for any non-product compliance questions.

**Search Parts in this Series**

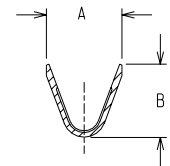
[94510Series](#)



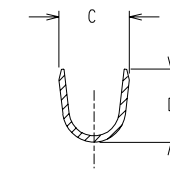
CODICE P/N	SEZ. CAVO WIRE SIZE	Ø ISOLANTE INS. RANGE	A	B	C	D
94510-1103	0.35 - 0.50	1.70 MAX	1.9	2.2	2.7	2.7
94510-1203	0.75 - 1.00	2.10 MAX	3.0	2.9	2.8	2.9



SEZIONE B - B  
SECTION B - B



SEZIONE C - C  
SECTION C - C



MATERIALE: BRONZO FOSFOROSO  
MATERIAL: PHOSPHOR BRONZE

FINITURA: PRESTAGNATO  
PLATING: PRE-TINNED

PASSO TRA CONTATTI ADIACENTI: 21.3 mm  
PITCH BETWEEN ADJACENT TERMINALS: 21.3 mm

SENDO DI SVOLGIMENTO DALLA BOBINA  
DEREELING DIRECTION

(N.° PEZZI PER BOBINA: 2700)  
(N. OF TERMINALS PER REEL: 2700)

ECN Z2-195  
20-11-92  
NEW RELEASE  
A LTR

DIMENSIONS SHOWN (METRIC) INCH	
UNLESS OTHERWISE SPECIFIED TOLERANCES: ANGULAR ±3°	
INCH	(METRIC)
3 PLACE ±	
2 PLACE ±	±
1 PLACE	± 0.2
DESIGN DIMENSION (PRIMARY)	□ (MM) □ IN
EQUIVALENT DIMENSION (SECONDARY)	□ (MM) □ IN.

DRWG BY  
Barbieri  
CHK'D BY  
APP'D BY  
Previato  
SCALE  
5:1

REVISE ONLY ON CAD SYSTEM		SH.	REV.
CAD/CAM FILENAME 9451016S	THIS DRAWING CONTAINS INFORMATION THAT IS PROPRIETARY TO MOLEX INC AND SHOULD NOT BE USED WITHOUT WRITTEN PERMISSION		
TITLE CONTATTO A FORCELLA A 90° - SPESSORE NOM. DEL MASCHIO: 2.1 mm - R/A FORK TERMINAL - TAB SIZE: 2J mm -			
MOLEX MOLEX INCORPORATED	SHEET NO. 1/1	DATE 18-07-90	
PART NO. VEDI TABELLA SEE TABLE	DWG NO. 94510 - IX03 SD	SIZE B	