

PLEASE CHECK WWW.MOLEX.COM FOR LATEST PART INFORMATION

Part Number: [1050801001](#)
Status: **Active**
Overview: [battery connectors](#)
Description: 2.00mm (.079") Pitch Battery Connector with Fitting Nail, SMT, Contact Width 0.60mm(.024"), 4 Circuits, Lead-free

Documents:

[3D Model](#) [Product Specification PS-105080-001 \(PDF\)](#)
[Drawing \(PDF\)](#) [RoHS Certificate of Compliance \(PDF\)](#)

General

Product Family	PCB Headers
Series	105080
Application	Board-to-Board
Overview	battery connectors
Product Name	Battery Connector

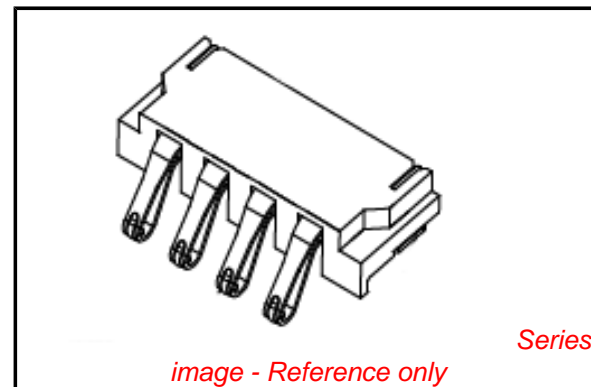
Physical

Breakaway	No
Circuits (Loaded)	4
Circuits (maximum)	4
Durability (mating cycles max)	5,000
First Mate / Last Break	No
Glow-Wire Compliant	No
Guide to Mating Part	No
Keying to Mating Part	None
Lock to Mating Part	None
Material - Metal	Beryllium Copper
Material - Plating Mating	Gold
Material - Plating Termination	Gold
Material - Resin	High Temperature Thermoplastic
Number of Rows	1
Orientation	Right Angle
PCB Locator	No
PCB Retention	Yes
Packaging Type	Embossed Tape on Reel
Pitch - Mating Interface (in)	0.079 In
Pitch - Mating Interface (mm)	2.00 mm
Pitch - Term. Interface (in)	0.079 In
Pitch - Term. Interface (mm)	2.00 mm
Plating min: Mating (µin)	30
Plating min: Mating (µm)	0.76
Plating min: Termination (µin)	1
Plating min: Termination (µm)	0.025
Polarized to Mating Part	Yes
Polarized to PCB	Yes
Shrouded	No
Stackable	No
Temperature Range - Operating	-30°C TO +60°C
Termination Interface: Style	Surface Mount

Electrical

Current - Maximum per Contact	1A
Voltage - Maximum	12V DC

Solder Process Data



EU RoHS

ELV and RoHS Compliant
REACH SVHC
Contains SVHC: No
Halogen-Free Status

China RoHS



Need more information on product environmental compliance?

Email productcompliance@molex.com
 For a multiple part number RoHS Certificate of Compliance, [click here](#)

Please visit the [Contact Us](#) section for any non-product compliance questions.

Search Parts in this Series
[105080Series](#)

Duration at Max. Process Temperature (seconds)	3
Lead-free Process Capability	Reflow Capable (SMT only)
Max. Cycles at Max. Process Temperature	2
Process Temperature max. C	250

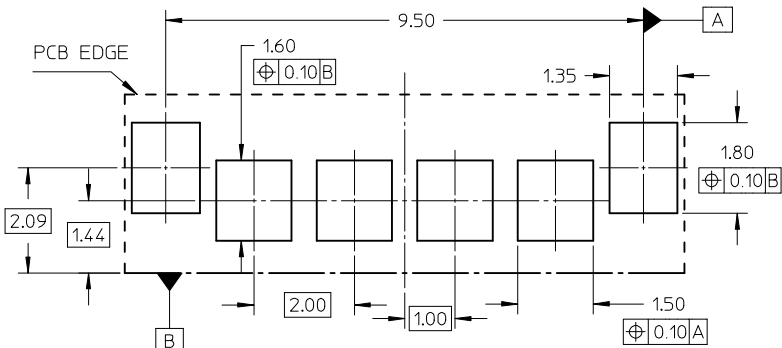
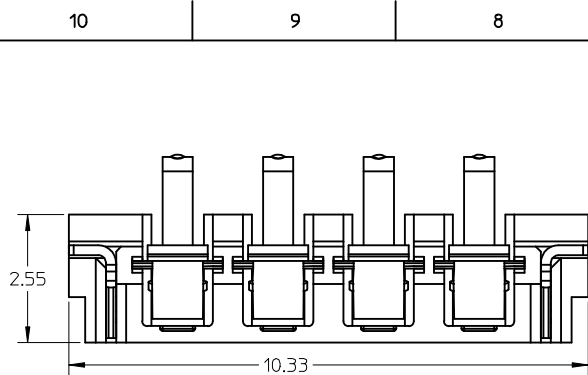
Material Info

Reference - Drawing Numbers

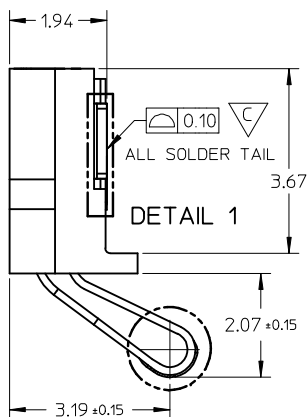
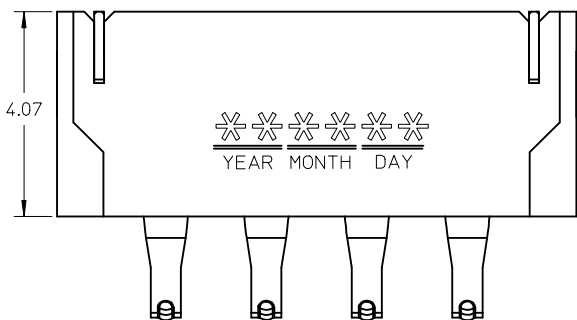
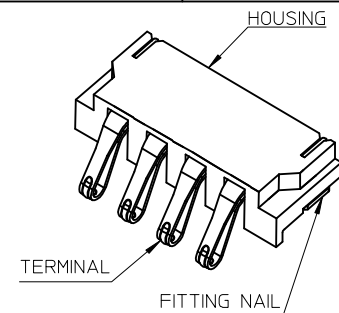
Packaging Specification	PK-47618-001
Product Specification	PS-105080-001
Sales Drawing	SD-105080-001

This document was generated on 05/26/2010

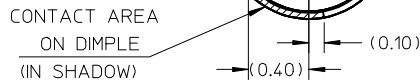
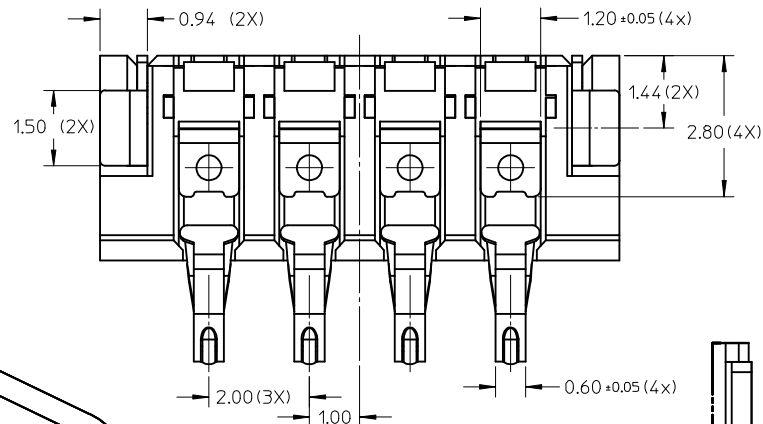
PLEASE CHECK WWW.MOLEX.COM FOR LATEST PART INFORMATION



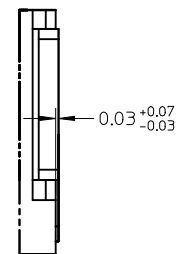
RECOMMENDED PCB LAYOUT
 DEFAULT TOLERANCE : ±0.05MM



DETAIL 2



DETAIL 2



DETAIL 1
 SCALE 20:1

NOTES:

- MATERIAL:
 TERMINAL : BERYLLIUM COPPER
 HOUSING : HIGH TEMPERATURE THERMAL PLASTIC
 FITTING NAIL : BRASS
- FINISH:
 TERMINAL : 50µ Min NICKEL UNDER PLATED
 30µ Min GOLD PLATING ON CONTACT AREA
 GOLD FLASH ON SOLDERING AREA
 FITTING NAIL : 100µ Min TIN ALLOY OVER 50µ Min NICKEL OVERALL
- PRODUCT SPECIFICATION : PS-105080-001
- PACKAGEING SPECIFICATION : PK-47618-001
- NORMAL FORCE SPEC:
 COMPRESS 1.37MM, READING DATA AT LOADING CURVE
 45+/-25gf AT 0.63mm DEFLECTION
 70+/-25gf AT 1.0mm DEFLECTION
 210gf MAX AT 1.37mm DEFLECTION
- COMPLIANT TO RoHS DIRECTIVE 2002/95/EC
 AND ELV DIRECTIVE 2000/53/EC

NEW RELEASE EC NO: SH2009-0629 DRWN: YPWU CHKD: APPR: HWANG	2009/04/10 2009/04/13 2009/04/27	DESCRIPTION REV	QUALITY SYMBOLS ▽=0 ◻=2	GENERAL TOLERANCES (UNLESS SPECIFIED) mm INCH 4 PLACES ± --- ± --- 3 PLACES ± --- ± --- 2 PLACES ± 0.13 ± --- 1 PLACE ± --- ± --- ANGULAR ± 3 °	DIMENSION STYLE MM ONLY DRAWN BY: JYANG13 DATE: 2008/12/02 CHECKED BY: YLZHU02 DATE: 2008/12/02 APPROVED BY: HWANG DATE: 2008/12/02 MATERIAL NO.	SCALE 10:1 DESIGN UNITS METRIC THIRD ANGLE PROJECTION	TITLE SALES DRAWING 4 PIN 2.0MM PITCH BATTERY CONNECTOR MOLEX INCORPORATED	DOCUMENT NO. SD-105080-001 SHEET NO. 1 OF 1	
	DRAFT WHERE APPLICABLE MUST REMAIN WITHIN DIMENSIONS				SIZE A3 THIS DRAWING CONTAINS INFORMATION THAT IS PROPRIETARY TO MOLEX INCORPORATED AND SHOULD NOT BE USED WITHOUT WRITTEN PERMISSION				