

PLEASE CHECK WWW.MOLEX.COM FOR LATEST PART INFORMATION

Part Number: [1200840007](#)
Status: **Active**
Overview: [ultralock connection system](#)
Description: Ultra-Lock® (M12) 4 Pole, Front Panel Mount Receptacle, 1/2"-14 NPT Mounting Thread, 22 AWG PVC Leads, 0.30M (11.81")

Documents:

[Drawing \(PDF\)](#) [RoHS Certificate of Compliance \(PDF\)](#)

Agency Certification

CSA LR6837

General

Product Family	Industrial Receptacles
Series	120084
IP Rating	IP69K
NEMA Rating	NEMA 6
Overview	ultralock connection system
Product Name	Ultra-Lock® (M12)
Type	Single Ended (pigtail)

Physical

Coupling Type	Internal Thread
Gender	Female
Keyway	Single
Length	0.30m (11.81")
Material - Component	Nickel-plated Brass
Mounting Thread Size	1/2" - 14 NPT
Orientation	Straight
Panel Mount	Front
Poles	4
Temperature Range - Operating	-25°C to +90°C
Wire Size AWG	22
Wire/Cable Type	UL 1061

Electrical

Current - Maximum per Contact	4A
Voltage - Maximum	250V AC/DC

Material Info

Old Part Number	WR4000A18C300
-----------------	---------------

Reference - Drawing Numbers

Sales Drawing	SD-120084-027
---------------	---------------

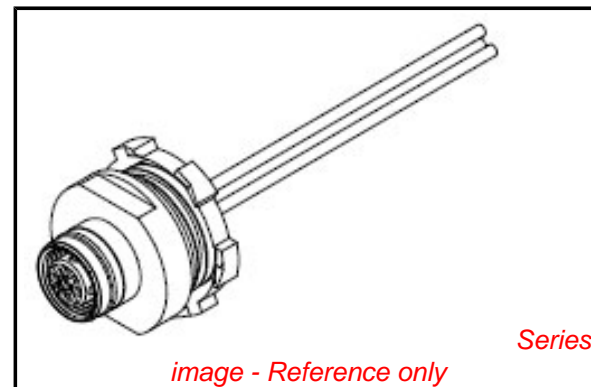


image - Reference only

EU RoHS

**ELV and RoHS
Compliant**
**REACH SVHC
Not Reviewed**
**Halogen-Free
Status
Not Reviewed**

China RoHS

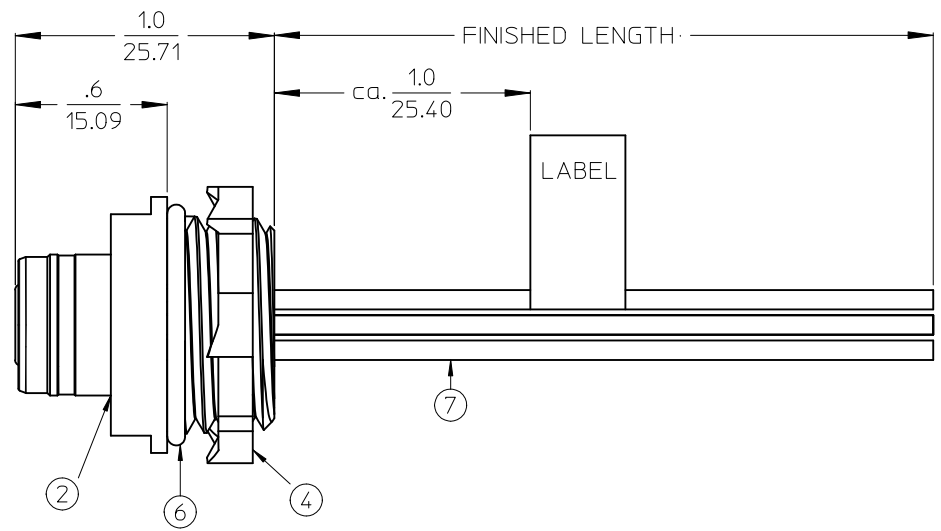
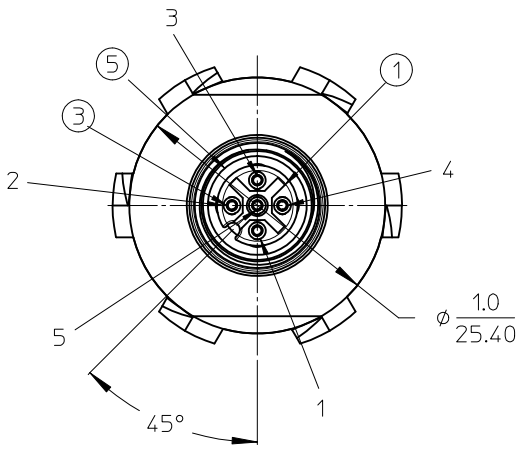


**Need more information on product
environmental compliance?**

Email productcompliance@molex.com
 For a multiple part number RoHS Certificate of Compliance, [click here](#)

Please visit the [Contact Us](#) section for any non-product compliance questions.

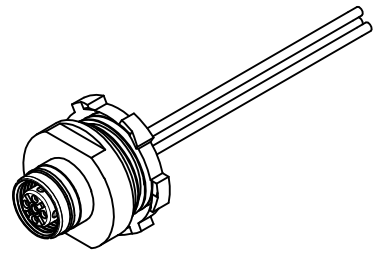
Search Parts in this Series
[120084Series](#)



ITEM	COMPONENT	MATERIAL	FINISH
1	INSERT	TPU	BLACK
2	HOUSING	BRASS	NICKEL PLATED
3	CONTACT	BRASS / GOLD	CuZn Ni/ Au
4	LOCK NUT	STEEL	ZINK PLATED
5	O-RING	VITON	RED
6	O-RING	NBR	BLACK
7	WIRES	COPPER/PVC	SEE TABLE

- 1 - BROWN
- 2 - WHITE
- 3 - BLUE
- 4 - BLACK
- 5 - GREY

POLE	MATERIAL NO	ENGINEERING NO	FINISHED LENGTH
4	1200840007	WR4000A18C300	300 mm
5	1200840016	WR5000A18C300	300 mm



VOLTAGE RATING: 250 VAC/VDC
AMPERAGE RATING: 4A
PROTECTION CLASS: IP 67/68/69K
OPERATING TEMPERATURE: -25°C / 90°C
UL CERTIFICATION: FILE NO. E152210
CSA CERTIFICATIONS: FILE NO. LR6837

ENTER DESCRIPTION EC NO: WEU2010-0369 DRWN:STAUDIGEL 2010/02/17 CHKD: 2010/02/19 APPR:FPACHER 2010/02/24	QUALITY SYMBOLS ▽=0 ◻=0	GENERAL TOLERANCES (UNLESS SPECIFIED)		DIMENSION STYLE IN/MM	SCALE 2:1	DESIGN UNITS INCH	THIRD ANGLE PROJECTION		
			mm	INCH	DRAWN BY NSTAUDIGEL	DATE 2010/02/17	TITLE M12 4/5P UL FEM REC FRONT MOUNT 1/2NPT		
		4 PLACES	±---	±---	CHECKED BY	DATE	APPROVED BY FPACHER		
		3 PLACES	±---	±---	DATE 2010/02/19		MATERIAL NO. DOCUMENT NO. SHEET NO.		
DRAFT WHERE APPLICABLE MUST REMAIN WITHIN DIMENSIONS		2 PLACES	±0.05	±---	MOLEX INCORPORATED			SD-120084-027	
		1 PLACE	±0.1	±---	THIS DRAWING CONTAINS INFORMATION THAT IS PROPRIETARY TO MOLEX INCORPORATED AND SHOULD NOT BE USED WITHOUT WRITTEN PERMISSION			1 OF 1	
		ANGULAR ±---°							