

**PLEASE CHECK WWW.MOLEX.COM FOR LATEST PART INFORMATION**

**Part Number:** [1200840008](#)  
**Status:** **Active**  
**Overview:** [ultralock connection system](#)  
**Description:** Ultra-Lock® (M12) 4 Pole, Front Panel Mount Receptacle, 1/2"-14 NPT Mounting Thread, 22 AWG PVC Leads, 0.30M (11.81")

**Documents:**

[Drawing \(PDF\)](#) [RoHS Certificate of Compliance \(PDF\)](#)

**Agency Certification**

CSA LR6837

**General**

Product Family Industrial Receptacles  
 Series [120084](#)  
 IP Rating IP69K  
 NEMA Rating NEMA 6  
 Overview [ultralock connection system](#)  
 Product Name Ultra-Lock® (M12)  
 Type Single Ended (pigtail)

**Physical**

Coupling Type External Thread  
 Gender Male  
 Keyway Single  
 Length 0.30m (11.81")  
 Material - Component Nickel-plated Brass  
 Mounting Thread Size 1/2" - 14 NPT  
 Orientation Straight  
 Panel Mount Front  
 Poles 4  
 Temperature Range - Operating -25°C to +90°C  
 Wire Size AWG 22  
 Wire/Cable Type UL 1061

**Electrical**

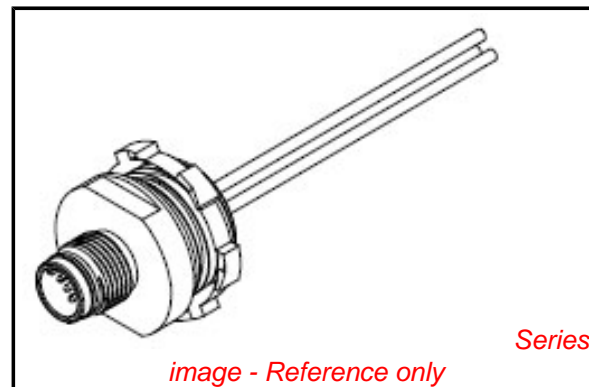
Current - Maximum per Contact 4A  
 Voltage - Maximum 250V AC/DC

**Material Info**

Old Part Number WR4006A18C300

**Reference - Drawing Numbers**

Sales Drawing SD-120084-028



*image - Reference only*

Series

**EU RoHS**

**ELV and RoHS  
 Compliant  
 REACH SVHC  
 Not Reviewed  
 Halogen-Free  
 Status  
 Not Reviewed**

**China RoHS**

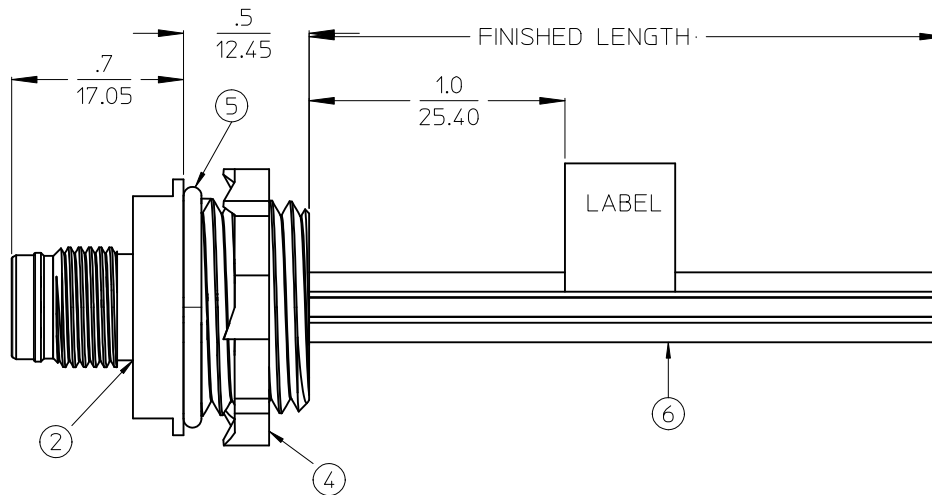
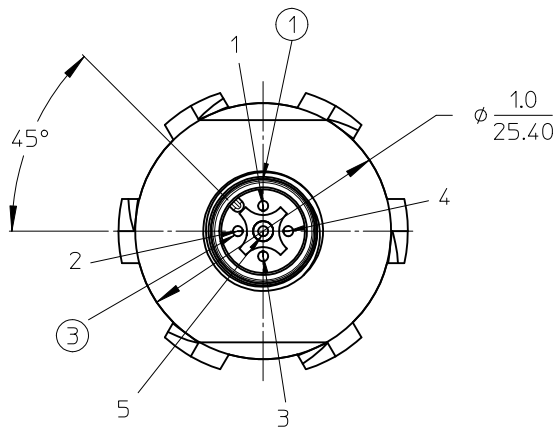


**Need more information on product  
 environmental compliance?**

Email [productcompliance@molex.com](mailto:productcompliance@molex.com)  
 For a multiple part number RoHS Certificate of  
 Compliance, [click here](#)

Please visit the [Contact Us](#) section for any  
 non-product compliance questions.

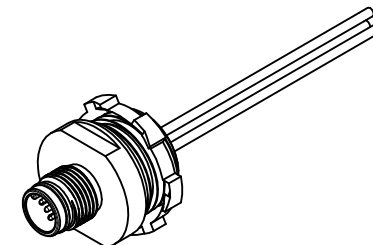
**Search Parts in this Series**  
[120084Series](#)



- 1 - BROWN
- 2 - WHITE
- 3 - BLUE
- 4 - BLACK
- 5 - GREY

ITEM	COMPONENT	MATERIAL	FINISH
1	INSERT	PA	BLACK
2	HOUSING	BRASS	NICKEL PLATED
3	CONTACT	BRASS / GOLD	CuZn Ni/ Au
4	LOCK NUT	STEEL	ZINK PLATED
5	O-RING	NBR	BLACK
6	WIRES	COPPER/PVC	SEE TABLE

POLE	MATERIAL NO	ENGINEERING NO	FINISHED LENGTH
4	1200840008	WR4006A18C300	300 mm
5	1200840017	WR5006A18C300	300 mm



VOLTAGE RATING: 250 VAC/VDC  
 AMPERAGE RATING: 4A  
 PROTECTION CLASS: IP 67/68/69K  
 OPERATING TEMPERATURE: -25°C / 90°C  
 UL CERTIFICATION: FILE NO. E152210  
 CSA CERTIFICATIONS: FILE NO. LR6837

ENTER DESCRIPTION EC NO: WEU2010-0369 DRW: NSTAUDIGEL 2010/02/17 CHKD: 2010/02/19 APPR: FPACHER 2010/02/24	QUALITY SYMBOLS	GENERAL TOLERANCES (UNLESS SPECIFIED)	DIMENSION STYLE	SCALE	DESIGN UNITS	THIRD ANGLE PROJECTION	
	▽=0 ∇=0	mm INCH	IN/MM	2:1	INCH		
		4 PLACES ± --- ± --- 3 PLACES ± --- ± --- 2 PLACES ± 0.05 ± --- 1 PLACE ± 0.1 ± ---	DRAWN BY DATE NSTAUDIGEL 2010/02/17	TITLE	M12 UL 4/5P MALE REC BACK 1/2NPT		
		ANGULAR ± ---°	CHECKED BY DATE DATE	APPROVED BY DATE FPACHER 2010/02/19	MOLEX INCORPORATED		
	DRAFT WHERE APPLICABLE MUST REMAIN WITHIN DIMENSIONS	MATERIAL NO.	DOCUMENT NO.		SHEET NO.		
1	REV	SIZE A3		SD-120084-028			1 OF 1
				THIS DRAWING CONTAINS INFORMATION THAT IS PROPRIETARY TO MOLEX INCORPORATED AND SHOULD NOT BE USED WITHOUT WRITTEN PERMISSION			