



1000 BASE -T MAGNETICS MODULES

P/N: 24HST1041AXM-2 DATA SHEET

Feature



- Designed for long haul gigabit Ethernet 1000 BASE-T, full duplex applications.
- Supports 4 pairs of category 5 UTP cable.
- Cable interface for isolation and low common mode emissions.
- Compliant with IEEE 802.3ab standard for 1000 BASE-T.
- Insulation Resistance: 10,000 M
- Operating temperature range: -40 0 to +85 .
- Storage temperature range: -40 to +125 .

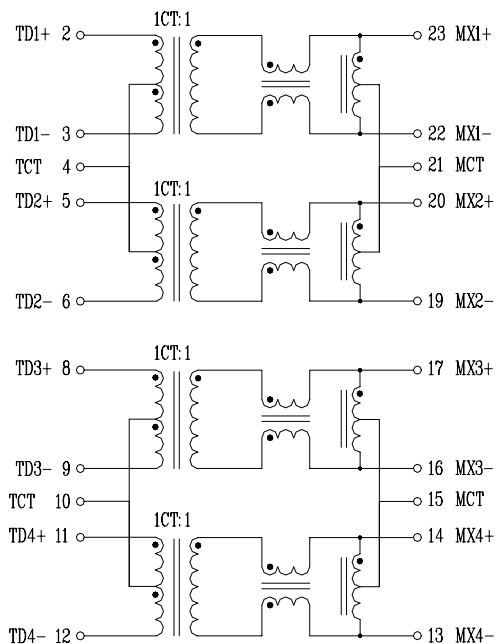
Electrical Specifications @ 25°C

Part Number	Turns Ratio (±5%)		OCL (uH Min) @ 100KHz/0.1V with 8mA DC Bias	C _{WW} (pF Max)	L.L (uH Max)	HI-POT (Vrms)
	TX	RX				
24HST1041AXM-2	1CT:1	1CT:1	350	56	0.5	1500

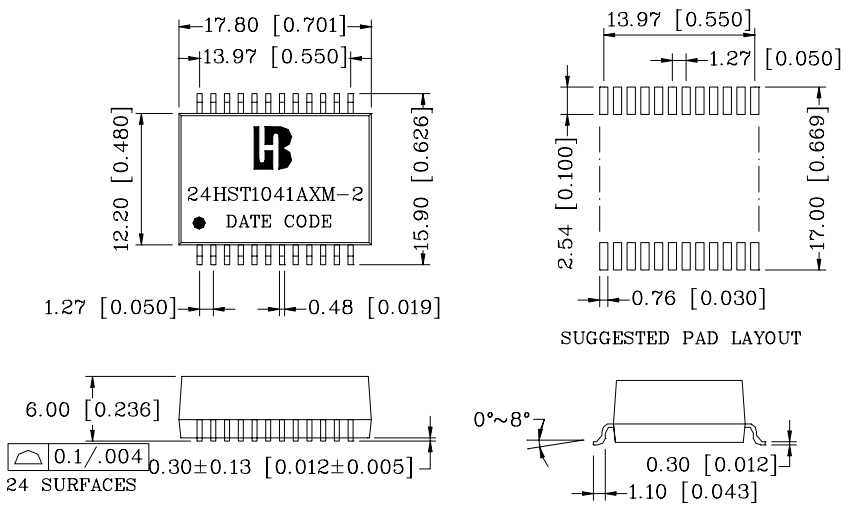
Continue

Part Number	Insertion Loss (dB Max)	Return Loss (dB Min @ 100)					Cross talk Attenuation (dB Min)			DCMR (dB Min)		
		1-100MHz	1-30MHz	40MHz	50MHz	60-80MHz	100MHz	30MHz	60MHz	100MHz	30MHz	60MHz
24HST1041AXM-2	-1.0	-18	-14.4	-13.1	-12	-10	-45	-40	-35	-43	-37	-33

Schematic



Mechanical



Units: mm [Inches] Tolerance: xx.x0±0.25 [0.010]
0.xx±0.05 [0.002]