

2.5 ~ 6W AC-DC Single Output Wall Mount EU Type EA1006 series

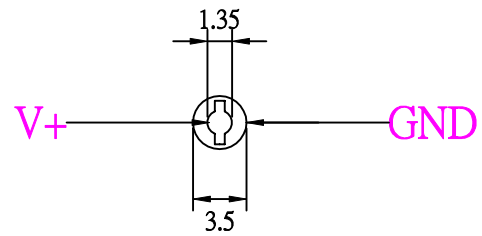
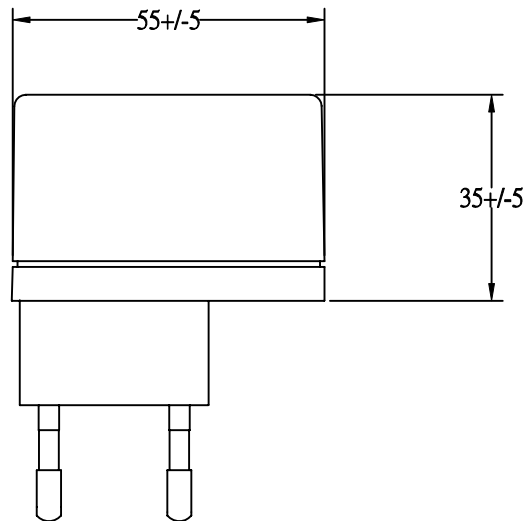
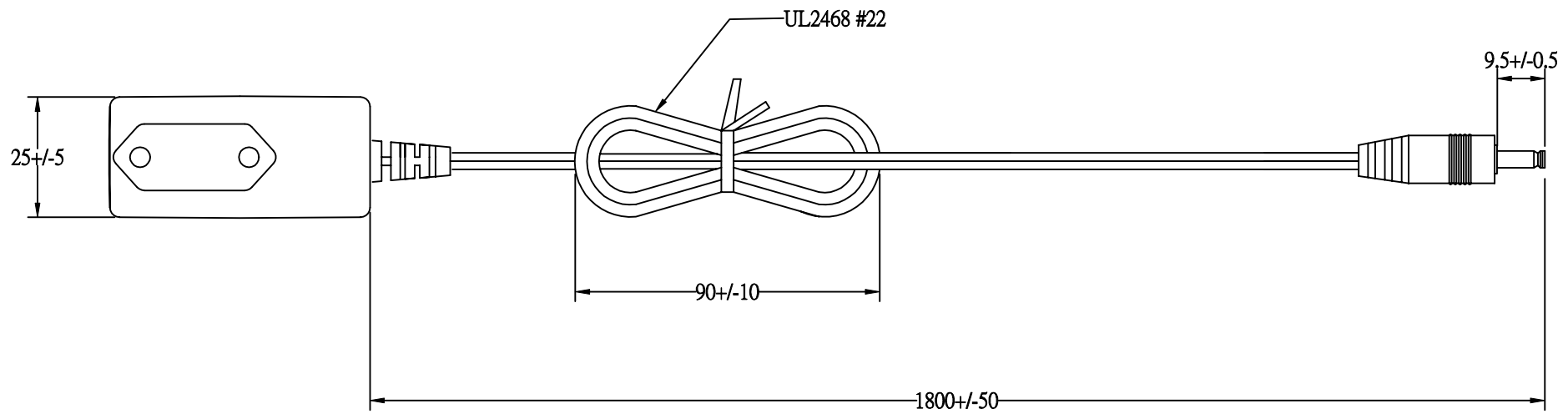


Features:

- CEC Efficiency Regulations Compliance
- RoHS Compliance
- Over-Voltage Protective Installation
- Short-circuit Protective Installation
- Protection Type: Auto-Recovery
- Application: MP3,i-pod,POS...

SPECIFICATION

Model	EA1006AE	EA1006BE
Item		
Output Voltage	4V~7V	8V~12V
Output Rating (Max.)	6W	6W
Output Current (Max.)	1.2A	0.75A
Input Voltage (Limit)	AC 90~264V	
Input Frequency	47~63Hz	
Line Regulation	1% Max.	
Load Regulation	+/- 5%	
Ripple & Noise	1.2% Max.	
Efficiency	65% Typical	70% Typical
Over Voltage Protection	Yes	
Short circuit Protection	Yes	
Operating Temperature	0~40°C	
Storage Temperature	-20°C~85°C	
Class or Class	Class	
Safety Standards	EN60950-1,IEC60950-1	
Safety/EMC	TUV, PSB,CE	TUV, CE
MTBF	30,000 hours	
LED Indication	none	
Dimension	55L x 25W x 36H mm	
Approx. Weight	70 grams	
Standard Plug	Optional	



EDACPOWER ELEC.				APPROVED
MODEL	EA1006AE(09)	UNIT	mm	DESIGNED
color	BLACK	SCALE		CHECK
cus.		DATE	2007-01-08	DRAWING L.J.YU