

FEATURES

- Cispr 22'B', Vcci'B', Fcc'B' Compliance
- Compact Size
- Efficiency 83%~88%
- Over-Voltage Protective Installation
- Short-circuit Protective Installation
- Protection Type: Auto-Recover
- IEC-320 Receptacle 2P or 3P



SPECIFICATION

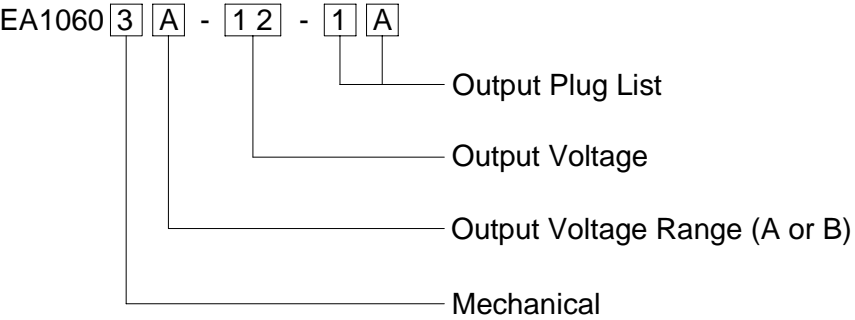
Item \ Model	EA1060..A-12~17	EA1060..B-18~24
Output Voltage	+12V~17V	+18V~24V
Output Current	4.2A Max or 56W Max	3.2A Max or 60W Max
Input Voltage	AC 90~264V	
Input Frequency	47~63Hz	
Input Current	2.0A Maximum	
Inrush Current	60A Maximum	
Line Regulation	2% Maximum	
Load Regulation	± 5%	
Ripple & Noise	1% Typical	
Efficiency	83%~85% Typical	87%~88% Typical
Temperature Coefficient	0.05%/°C	
Over-Voltage Protection	16V~20V Maximum	24V~32V Maximum
Operating Temperature	0~40°C	
Storage Temperature	-20~85°C	
Safety Description	UL, CUL, TUV, CE, CB	UL, CUL, TUV, CE, CB

(*) : Under Development (I/P) : In Process

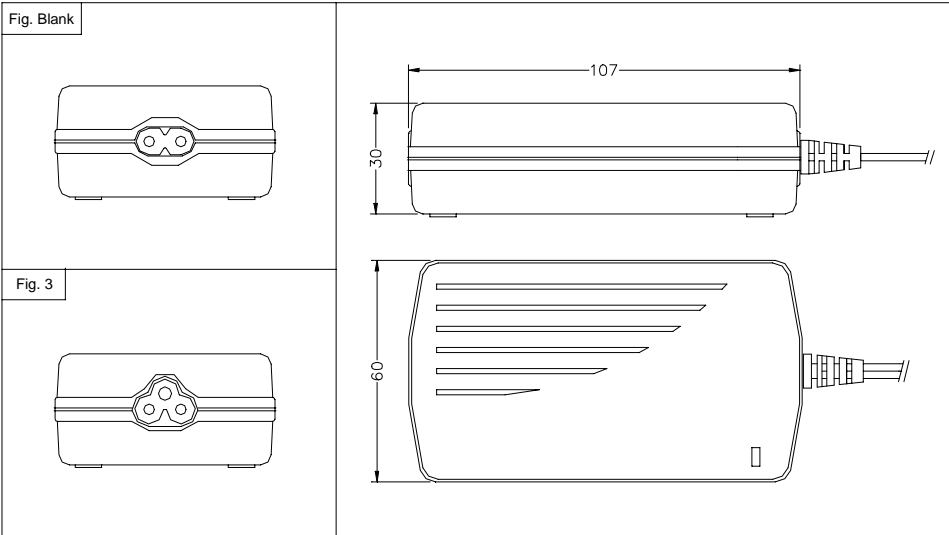
Bothhand USA. e-mail: sales@bothhandusa.com <http://www.bothhand.com>

462 Boston St - Topsfield, MA 01983 - Phone: 978-887-8050 - Fax: 978-887-5434

ORDERING INFORMATION



MECHANICAL



Unit: m.m.

Standard Output Cable:
18AWG, UL SPT-1, 1200mm, EMI Core.



Bothhand USA. e-mail: sales@bothhandusa.com <http://www.bothhand.com>

462 Boston St - Topsfield, MA 01983 - Phone: 978-887-8050 - Fax: 978-887-5434