

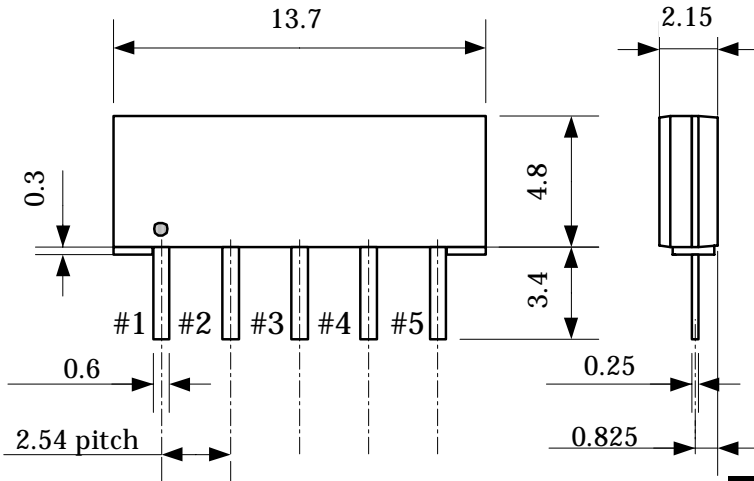
Customer Name	Standard specification	FUJITSU MEDIA DEVICES LIMITED	
Application	IF Filter for Terrestrial-TV		
System	Japan		
Picture Carrier Frequency	57.00 MHz	DATE	May. 18 2007
FMD Part Number	FAR-F4SE-57M000-H0JC	Version	1.0

Table 1 Proposal Specification (Ta=25°C(45°C))

Items	Conditions	Specification			Unit	Remarks
		Min.	Typ.	Max.		
Insertion Loss	57.08 (57.00) MHz	10.7	12.2	13.7	dB	
Pass bandwidth	3dB	–	5.3	–	MHz	
	30dB	–	6.7	–	MHz	
Relative level	45.08 ~ 50.08 MHz (45.00 ~ 50.00 MHz)	–	- 53	- 42	dB	
	50.08 ~ 52.83 MHz (50.00 ~ 52.75 MHz)	–	- 42	- 37	dB	
	52.83 (52.75) MHz	–	- 43	- 38	dB	
	54.18 (54.10) MHz	- 5.2	- 4.0	- 2.8	dB	
	57.08 (57.00) MHz	–	0	–	dB	Reference
	59.58 (59.50) MHz	- 4.6	- 3.4	- 2.2	dB	
	60.33 (60.25) MHz	–	- 37	- 30	dB	
	62.46 (62.38) MHz	–	- 52	- 41	dB	
	64.83 (64.75) MHz	–	- 55	- 43	dB	
Amplitude ripple (p-p)	62.46 ~ 70.08 MHz (62.38 ~ 70.00 MHz)	–	- 45	- 38	dB	
	54.58 ~ 59.08 MHz (54.50 ~ 59.00 MHz)	–	0.6	–	dB	
Group delay ripple (p-p)	54.18 ~ 59.58 MHz (54.10 ~ 59.50 MHz)	–	31	–	ns	
Input Impedance	57.08 MHz	–	0.9//12.0	–	kΩ//pF	
Output Impedance	57.08 MHz	–	1.2//3.6	–	kΩ//pF	
Temperature coefficient		–	-72	–	ppm/°C	

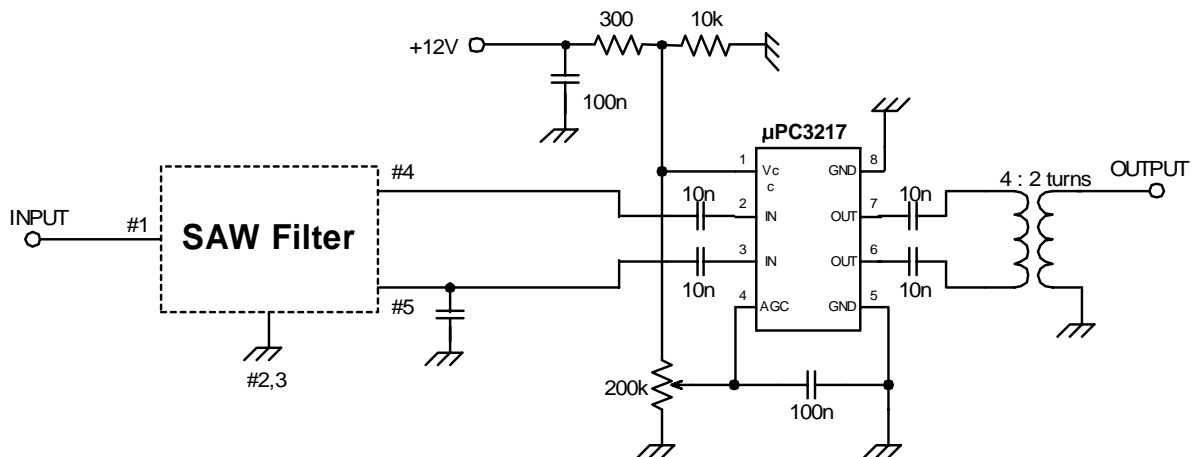
Customer Name	Standard specification	FUJITSU MEDIA DEVICES LIMITED	
Application	IF Filter for Terrestrial-TV		
System	Japan		
Picture Carrier Frequency	57.00 MHz	DATE	May. 18 2007
FMD Part Number	FAR-F4SE-57M000-H0JC	Version	1.0

1. Pin assignment of plastics Package



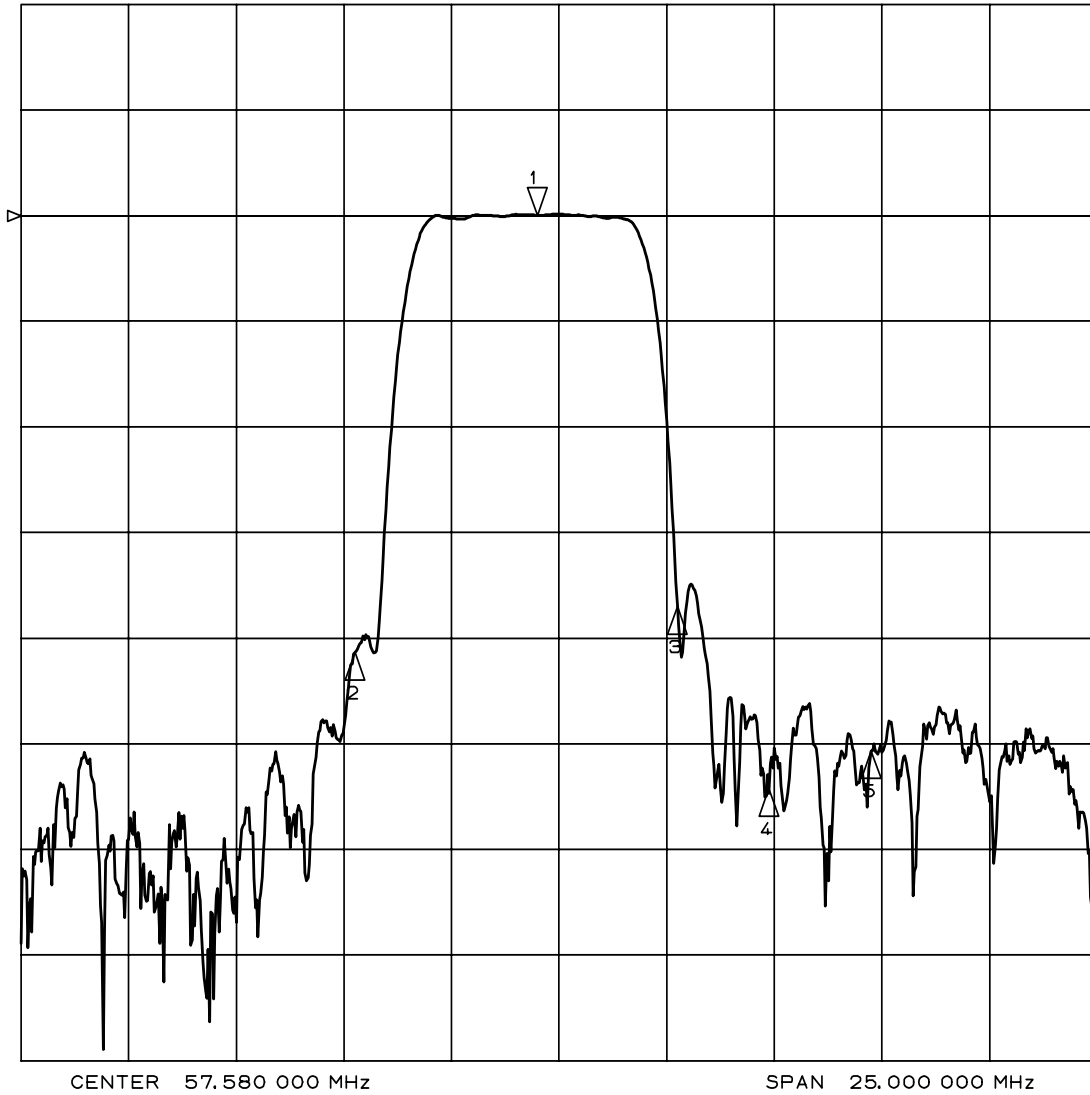
Pin No.	Pin name	Description
1	IN	input pin
2	IN	input pin (Ground)
3	GND	Ground pin
4	OUT	output pin
5	OUT	output pin

2. Measurement circuit



Customer Name	Standard specification	FUJITSU MEDIA DEVICES LIMITED	
Application	IF Filter for Terrestrial-TV		
System	Japan		
Picture Carrier Frequency	57.00 MHz	DATE	May. 18 2007
FMD Part Number	FAR-F4SE-57M000-H0JC	Version	1.0

Amplitude Response (10dB/div)



- Marker 1 = 57.08 MHz
- Marker 2 = 52.83 MHz
- Marker 3 = 60.33 MHz
- Marker 4 = 62.46 MHz
- Marker 5 = 64.83 MHz

Customer Name	Standard specification	FUJITSU MEDIA DEVICES LIMITED	
Application	IF Filter for Terrestrial-TV		
System	Japan		
Picture Carrier Frequency	57.00 MHz	DATE	May. 18 2007
FMD Part Number	FAR-F4SE-57M000-H0JC	Version	1.0

Amplitude Response (1dB/div)

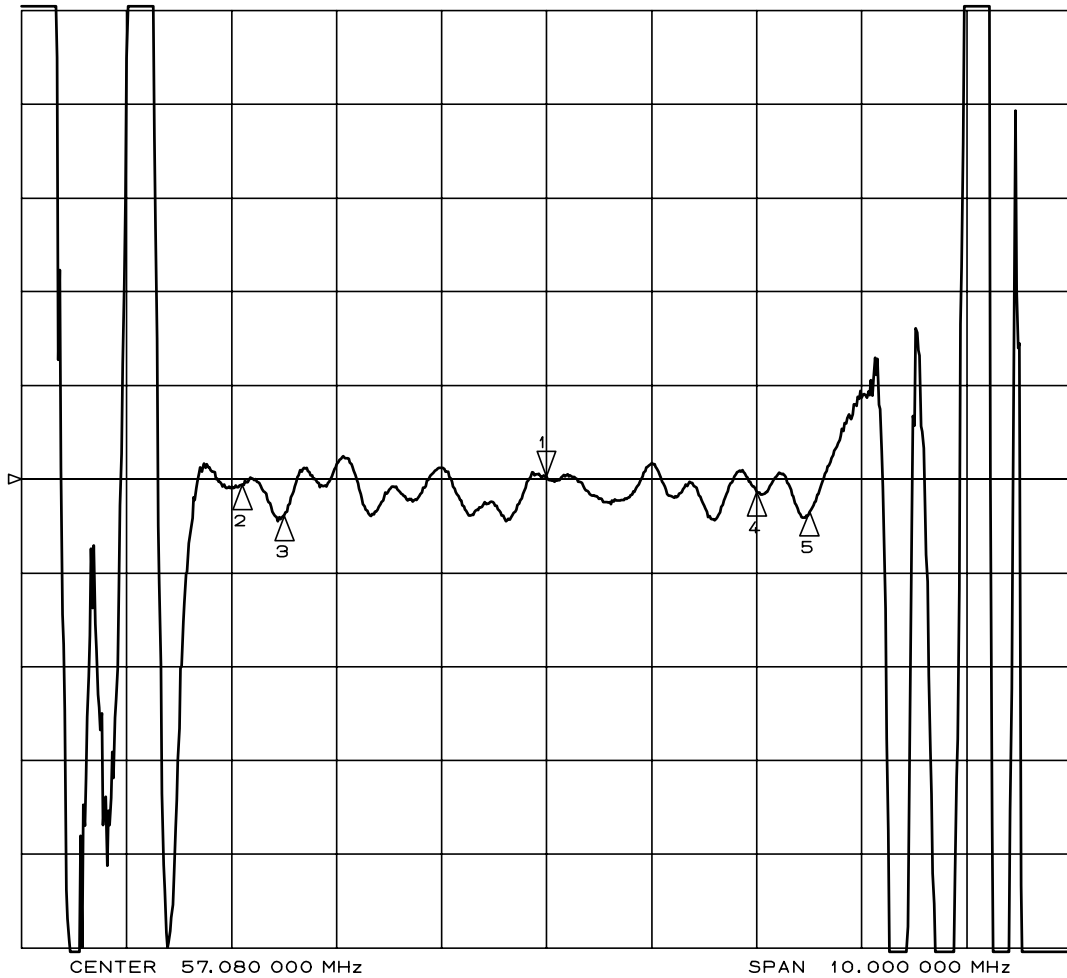


- Marker 1 = 57.08 MHz
- Marker 2 = 54.18 MHz
- Marker 3 = 54.58 MHz
- Marker 4 = 59.08 MHz
- Marker 5 = 59.58 MHz

Customer Name	Standard specification	FUJITSU MEDIA DEVICES LIMITED	
Application	IF Filter for Terrestrial-TV		
System	Japan		
Picture Carrier Frequency	57.00 MHz	DATE	May. 18 2007
FMD Part Number	FAR-F4SE-57M000-H0JC	Version	1.0

Group Delay (50ns/div)

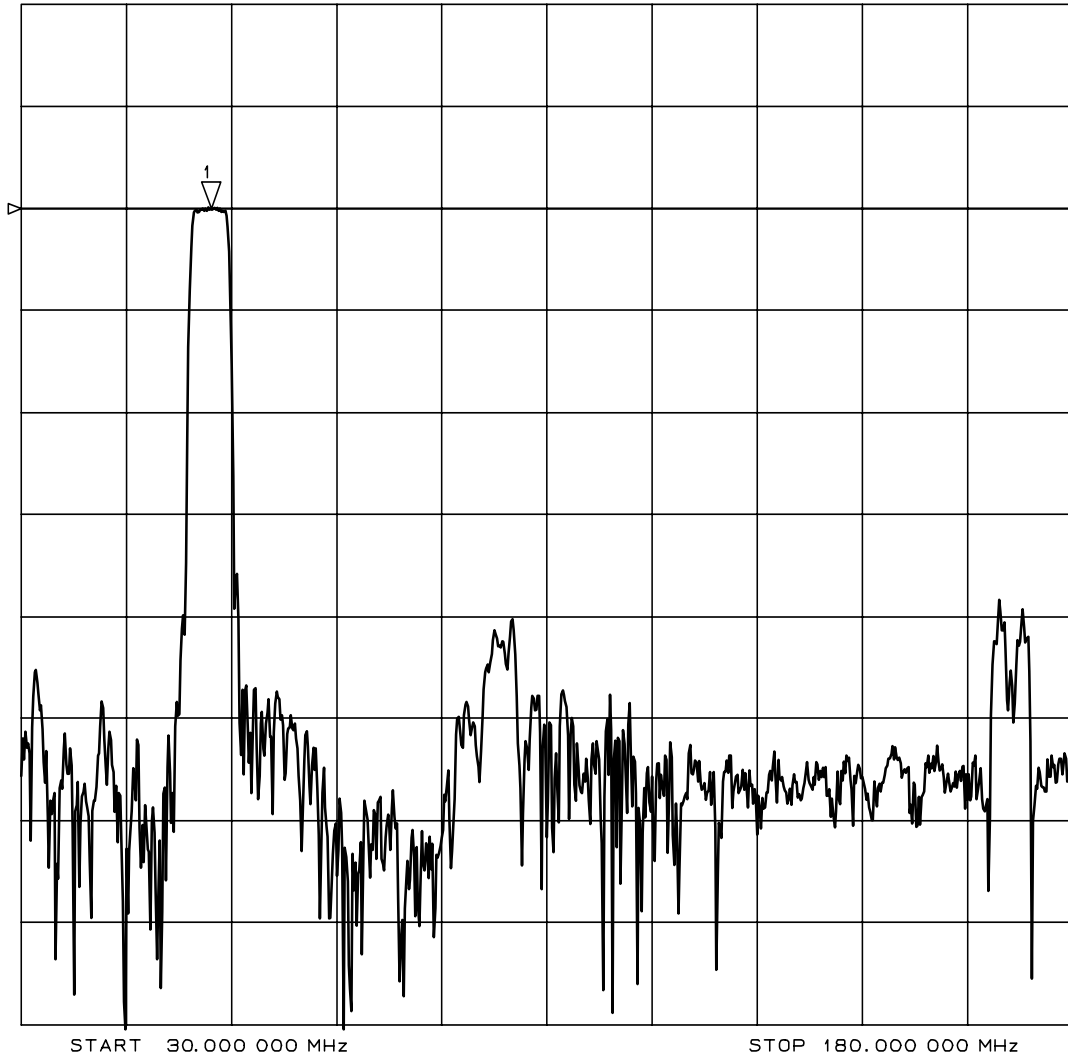
Delay Aper.=200kHz



- Marker 1 = 57.08 MHz
- Marker 2 = 54.18 MHz
- Marker 3 = 54.58 MHz
- Marker 4 = 59.08 MHz
- Marker 5 = 59.58 MHz

Customer Name	Standard specification	FUJITSU MEDIA DEVICES LIMITED	
Application	IF Filter for Terrestrial-TV		
System	Japan		
Picture Carrier Frequency	57.00 MHz	DATE	May. 18 2007
FMD Part Number	FAR-F4SE-57M000-H0JC	Version	1.0

Amplitude Response (10dB/div)
(30.0MHz ----- 180.0MHz)



Marker 1 = 57.08 MHz

Customer Name	Standard specification	FUJITSU MEDIA DEVICES LIMITED	
Application	IF Filter for Terrestrial-TV		
System	Japan		
Picture Carrier Frequency	57.00 MHz	DATE	May. 18 2007
FMD Part Number	FAR-F4SE-57M000-H0JC	Version	1.0

Time domain Response (10dB/div)

