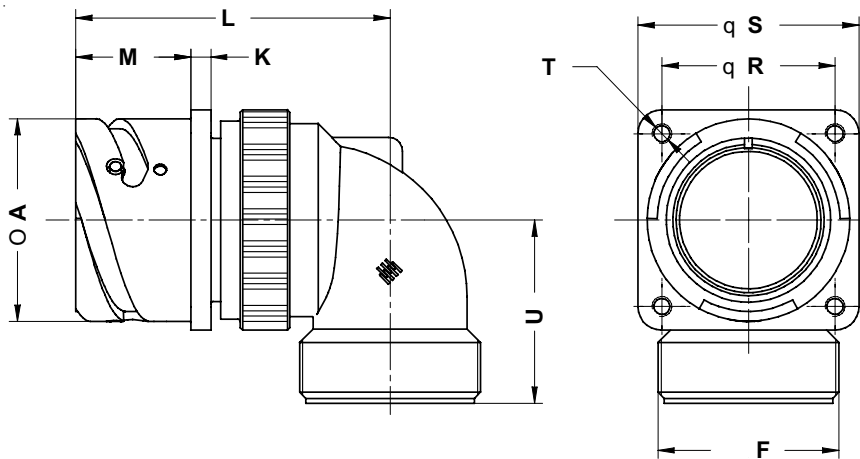


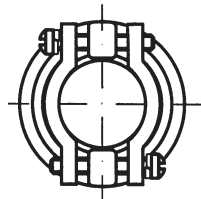
ITS 31038 (A) and ITS 31038 (R)
ITS 41038 (A) and ITS 41038 (R)
Rear Panel Mount Square Flange Receptacle Assembly
with 90° Backshell for the Attachment of Additional Accessories

ITS 31 038 A FK 20-27 P Y XXX

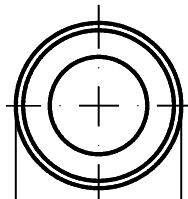
- | | |
|--|---|
| <p>Bayonet Coupling</p> <p>Contact Type
31 - Solder
41 - Crimp</p> <p>038 - Rear Wall Mount
with 90° Backshell</p> <p>Connector/Backshell Class
A - Non-Environmental; Supplied with
90° Backshell Only
R - Environmental; Supplied with
90° Backshell and Grommet</p> | <p>Mod Code Option (See Table II)</p> <p>Alternate Insert Rotation (W, X, Y, Z)
Omit for Normal (See Intro 20-21)</p> <p>Contact Gender
P - Pin
S - Socket</p> <p>Shell Size and Insert Arrangement
(See Intro 6-25)</p> <p>Material Option (Omit for Aluminum)
FK - Stainless Steel Passivate
MB - Marine Bronze</p> |
|--|---|



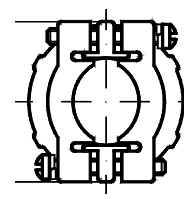
Order Cable Clamps and Sleeves Separately or Use Mod Codes (Table II) to Add Clamp to This Assembly.



IT 3057 C
Cable Clamp



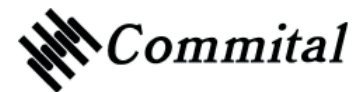
IT 3420
Neoprene Sleeve



IT 3057 A
Cable Clamp

Application Notes:

1. Rear panel mount square flange receptacle with 90° backshell. Threaded mounting holes.
2. Connector/Backshell Class "A" (non-environmental); Class "R" (environmental) supplied with grommet.
3. Standard materials configuration consists of aluminum alloy with cadmium olive drab finish.
4. Standard contact material consists of copper alloy with silver plating (Gold plating available, see mod codes).
5. A broad range of additional connector accessories are available.
See our website and/or contact the factory for complete information.
6. Standard insert material is synthetic rubber.
Add "FR" prefix to front of part number to specify fire resistant inserts.



**ITS 31038 (A) and ITS 31038 (R)
ITS 41038 (A) and ITS 41038 (R)
Rear Panel Mount Square Flange Receptacle Assembly
with 90° Backshell for the Attachment of Additional Accessories**



TABLE I: DIMENSIONS

Shell Size	ØA +0 -0.1	F Thread	K ±0.2	L Max.	U ±0.2	M +0.2 -0	R ±0.1	S +0.2	T Thread
10 SL	18.2	0.6250 - 24UNEF	2.8	42	25.0	18.5	18.25	25.4	M4
14 S	24.5	0.7500 - 20UNEF	3.3	44	26.5	18.5	23.00	30.4	M4
16 S	27.2	0.8750 - 20UNEF	3.3	48	27.0	18.5	24.60	32.5	M4
16	27.2	0.8750 - 20UNEF	3.3	57	27.0	23.2	24.60	32.5	M4
18	30.7	1.0000 - 20UNEF	4.0	59	30.0	23.2	27.00	35.0	M4
20	34.0	1.1875 - 18UNEF	4.0	64	32.0	23.2	29.40	38.0	M4
22	37.3	1.1875 - 18UNEF	4.0	64	32.0	23.2	31.75	41.0	M4
24	40.9	1.4375 - 18UNEF	4.0	69	37.0	23.2	34.90	44.5	M4
28	46.7	1.4375 - 18UNEF	4.0	69	38.0	24.4	39.70	50.9	M5
32	53.4	1.7500 - 18UNS	4.0	74	45.5	24.2	44.45	57.0	M5
36	59.6	2.0000 - 18UNS	4.0	77	47.2	24.2	49.20	63.5	M5
40	65.5	2.2500 - 16UN	4.0	80	52.0	24.4	55.55	69.9	M5

TABLE II: MODIFICATION CODES

CONTACT OPTIONS		ACCESSORY OPTIONS	
Sym	Description		
B0	Connector Less Contacts	N0	Connector less backshell
B1	Connector with Gold Plated Contacts	N1	Connector with IT 3057 A cable clamp
Omit for Standard Version (Silver Plated)		N2	Connector with long backshell
FINISH OPTIONS		N5	Connector with IT 3057 C cable clamp
		N12	Connector with IT 3057 A cable clamp and IT 3420 neoprene sleeve
Omit for Standard Version (Cad/Olive Drab)		Omit for standard version	
Sym	Description		
F2	Bright Nickel Plating		
F6	Black Electrodeposited Paint		
F7	Black Zn-Co Plating		
F8	Olive Drab Zn-Co Plating		
Omit for Standard Version (Cad/Olive Drab)			

