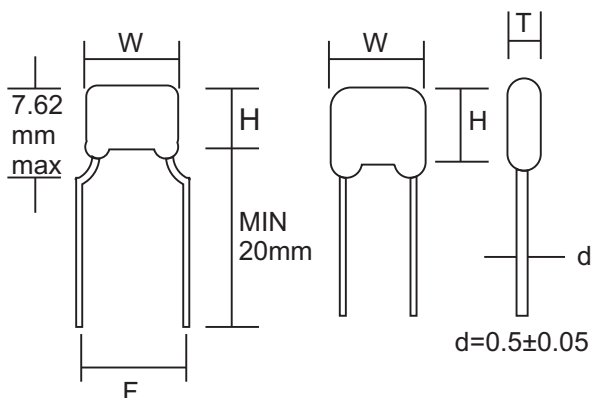


INTRODUCTION

Radial Leaded Multilayer Ceramic Capacitors are made with a superior epoxy coating for moisture and mechanical protection. The small size is suitable for a wide range of applications, including: data processing, telecommunications, instrumentation, and industrial controls.

FEATURES & SPECIFICATIONS

- Epoxy Coating
- Minature Size
- Auto Insertable
- Tape & Reel or Bulk Pack

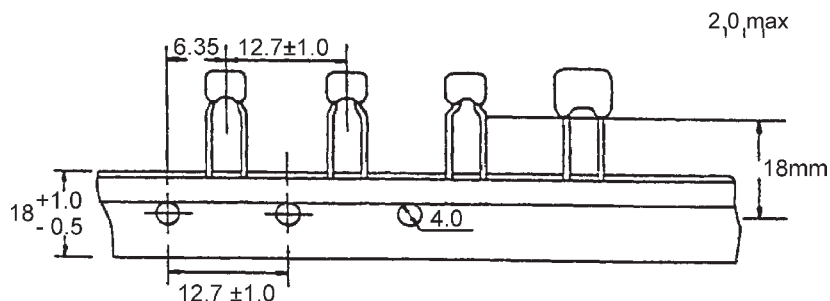


Size Code	Dimensions (mm)			Capacitance Range				
	W max	H max	T max	Voltage	C0G/NP0 (pf)	X7R (f)	Z5U (f)	Y5V (f)
RD2*	4.0	4.0	2.5	50	0.5 ~ 3,300	0.00022 ~ 0.22	0.001 ~ 0.22	0.01 ~ 0.47
				100	0.5 ~ 3,300	0.00022 ~ 0.1	0.010 ~ 0.1	
RD3*	5.08	5.08	3.0	50	1.0 ~ 10,000	0.00047 ~ 4.7	0.220 ~ 3.3	0.22 ~ 4.7
				100	1.0 ~ 10,000	0.00047 ~ 3.3	0.220 ~ 3.3	

*2 = 2.5mm ± 1mm Lead Spacing, F Dimension

*5 = 5.0mm ± 1mm Lead Spacing, F Dimension

TAPING & PACKAGING



PACKAGING QUANTITIES

BULK	1000
AMMO	3000
REEL	3000

PART NUMBER EXAMPLE

RD 25 ZU 104 M 500 B

