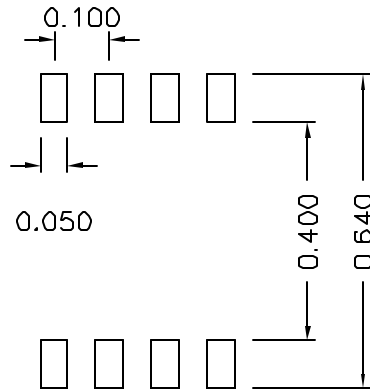
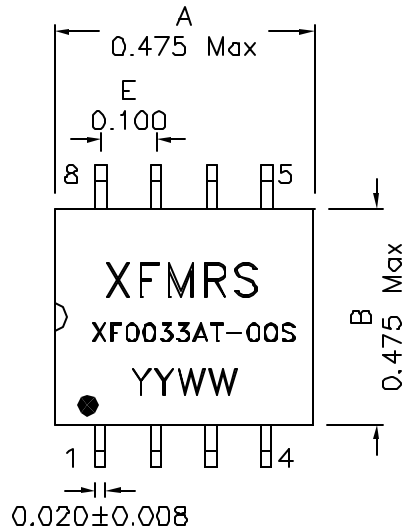
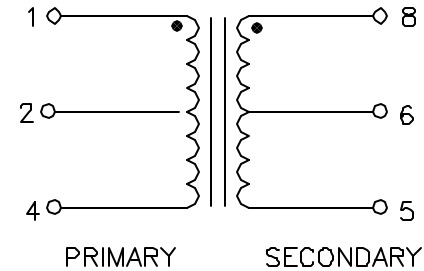


1. Dimensions:



SUGGESTED FOOTPRINT

2. Schematic:



3. Electrical Specifications: @25°C

- Isolation: 1500Vrms (Pri/Sec)
- Turns Ratio: 1CT:1CT ±3%
- Pri OCL: 2.5mH ±20%, 100KHz, 50mV
- Leakage Inductance: 0.50uH Maximum, 100KHz, 50mV
- ET Constant: 20V/uS
- Rise Time: 25nS Maximum
- Bandwidth: 3dB Typical 100KHz to 55MHz
- Return Loss: 20dB Typical, 300KHz – 10MHz

Notes:

1. Solderability: Leads shall meet MIL-STD-202G, Method 208H for solderability.
2. Flammability: UL94V-0
3. ASTM oxygen index: > 28%
4. Insulation System: Class F 155°C, UL file E151556
5. Operating Temperature Range: All listed parameters are to be within tolerance from -40°C to +85°C
6. Storage Temperature Range: -55°C to +125°C
7. Aqueous wash compatible
8. SMD Lead Coplanarity: ±0.004"(0.102mm)
9. Moisture Sensitivity: Level 3
10. Electrical and mechanical specifications 100% tested
11. RoHS Compliant Component

DOC REV.: B/7

XFMRS Inc www.XFMRS.com	Title: TRANSFORMER Digital Audio Data Transmission		
	UNLESS OTHERWISE SPECIFIED TOLERANCES: .xxx ±0.010		P/N: XF0033AT-00S
Dimensions in Inch	DWN.	廖玉坤	Jan-11-06
SCALE 3:1 SHT 1 OF 1	CHK.	李清儿	Jan-11-06
	APP.	MS	Jan-11-06