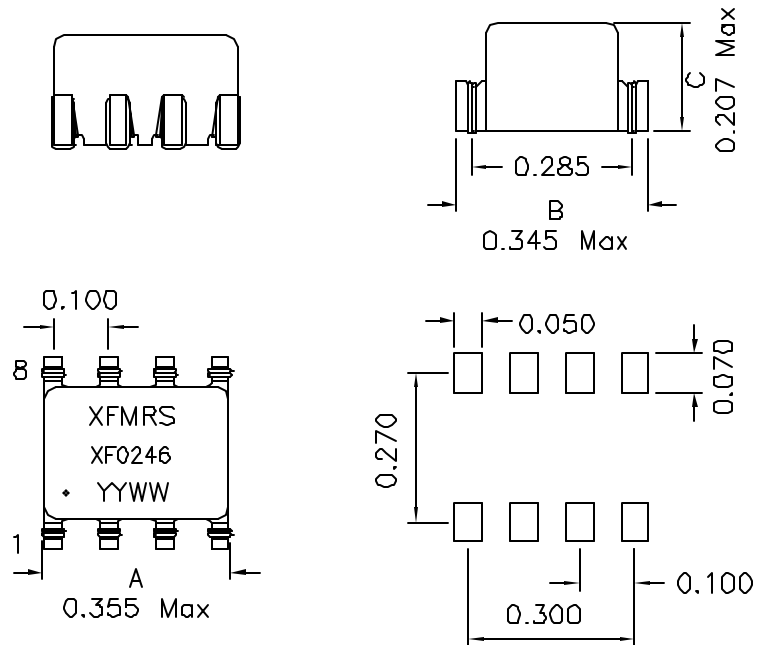


1. Mechanical Dimensions:



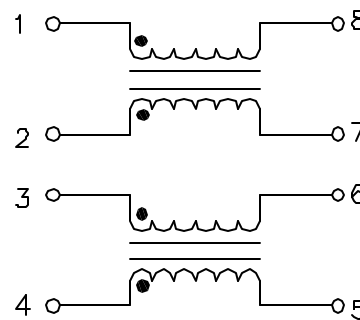
SUGGESTED PAD LAYOUT

Notes:

1. Solderability: Leads shall meet MIL-STD-202G, Method 20BH for solderability.
2. Flammability: UL94V-0
3. ASTM oxygen index: > 28%
4. Insulation System: Class F 155°C, UL file E151556
5. Operating Temperature Range: All listed parameters are to be within tolerance from -40°C to +85°C
6. Storage Temperature Range: -55°C to +125°C
7. Aqueous wash compatible
8. SMD Lead Coplanarity: ±0.004" (0.102mm)
9. Electrical and mechanical specifications 100% tested
10. RoHS Compliant Component

DOC REV A/7

2. Schematic:



3. Electrical Specifications:

OCL: 24uH Min @100KHz, 0.1V Each Wdg.

DCR: 0.250 Ohms Max Each Wdg.

C.M. ATTENUATION:

- 8dB Typ @100KHz
- 21dB Typ @1MHz
- 32dB Typ @10MHz
- 36dB Typ @30MHz
- 37dB Typ @50MHz
- 36dB Typ @100MHz
- 30dB Typ @300MHz
- 20dB Typ @500MHz

PROPRIETARY Document is the property of XFMRS Group & is not allowed to be duplicated without authorization.

XFMRS Inc. www.XFMRS.com	Title: COMMON MODE CHOKE	
UNLESS OTHERWISE SPECIFIED TOLERANCES: .xxx ±0.010 Dimensions in INCH	P/N: XF0246-CMC10	REV. A
	DWN. 廖玉坤	May-15-07
SHEET 1 OF 1	CHK. 李清儿	May-15-07
	APP. MS	May-15-07