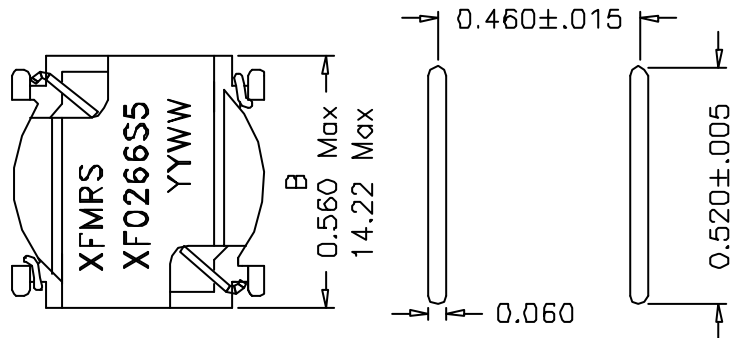
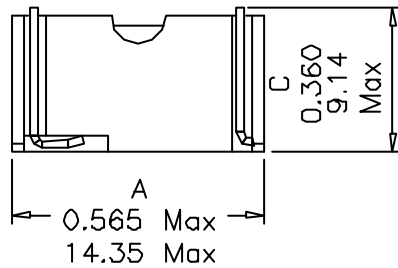
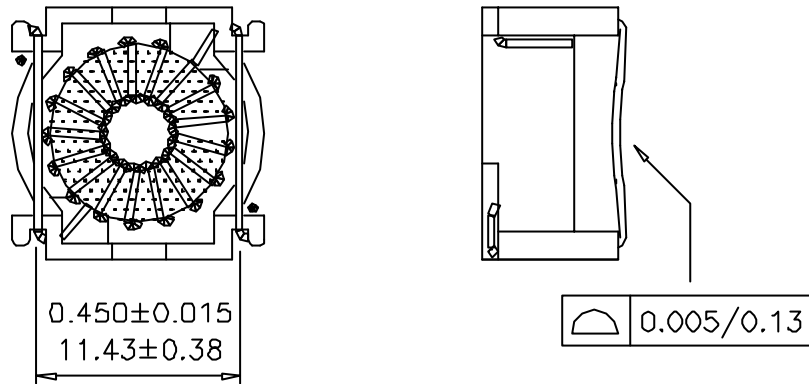


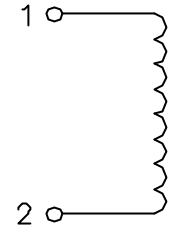
1. Mechanical:



Suggested Footprint

DOC. REV A/1

2. Schematic:



3. Electrical Specifications: @25°C

DC Resistance: 0.100 Ohms Typ
 OCL: 26uH±20% @10KHz, 0.1V
 Rated Current: 1.48Adc
 ET Constant: 9.9V/uSec Max

Notes:

1. Solderability: Leads shall meet MIL-STD-202, Method 208D for solderability.
2. Flammability: UL94V-0
3. ASTM oxygen index: > 28%
4. Temperature rating: 155°C. UL file E151556
5. Operating Temperature Range: -40°C to +85°C
6. Microlite core material.

XFMR5 INC		Title: Surface Mount Inductor	
UNLESS OTHERWISE SPECIFIED		P/N: XF0266S5	REV. A
TOLERANCES: .xxx ±0.010		DWN. 李小锋	Apr-12-04
Dimensions in Inch/mm		CHK. 廖玉坤	Apr-12-04
SHEET 1 OF 1		APP. BW	Apr-12-04

PROPRIETARY

Document is the property of XFMR5 Group & is not allowed to be duplicated without authorization.