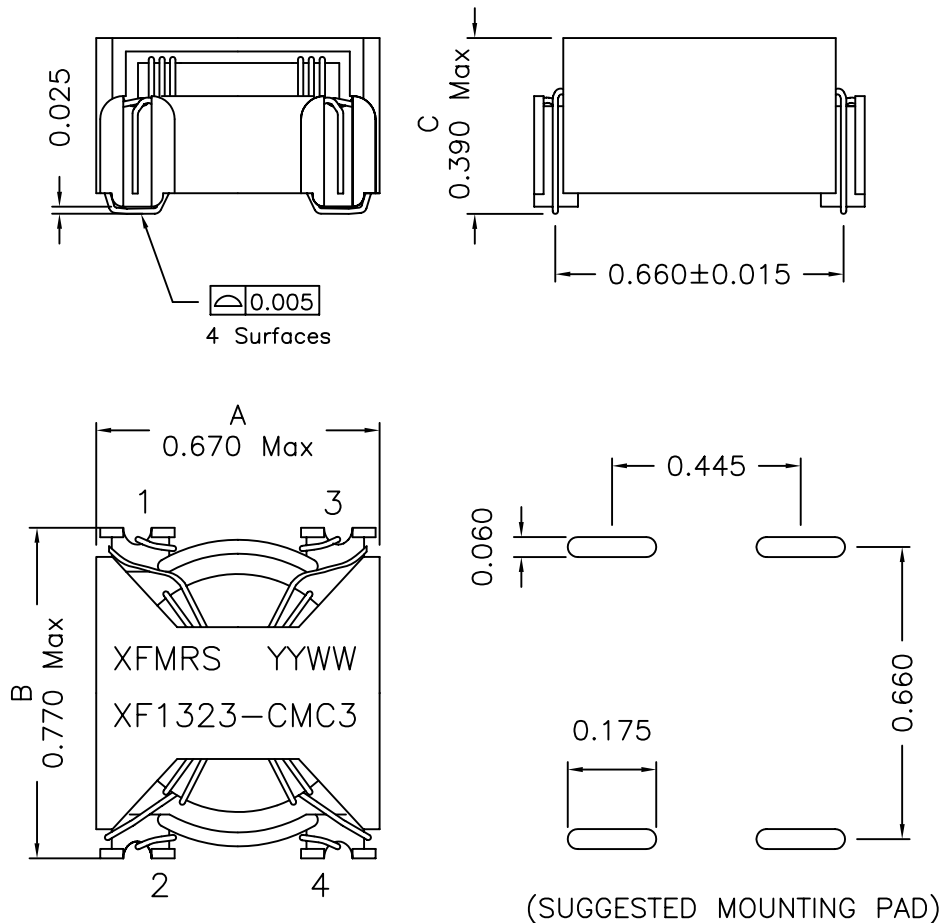
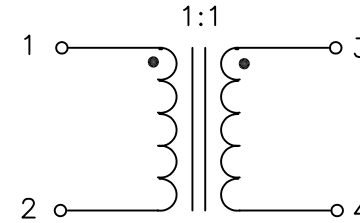


1. Mechanical Dimensions:



2. Schematic:



3. Electrical Specification:

URNS RATIO: 1:1

OCL: 1.32mH ±25% @10KHz 1.0V each

LL: P1-2 2.5uH Min @10KHz 1.0V P3-4 shorted

DCR: 0.060 OHMS Max each

Rated Current (For 55c Rise): 3.3 A

HIPOT: 500Vrms

Notes:

1. Solderability: Leads shall meet MIL-STD-202G, Method 208H for solderability.
2. Flammability: UL94V-0
3. ASTM oxygen index: > 28%
4. Insulation System: Class F 155°C. UL file E151556
5. Operating Temperature Range: All listed parameters are to be within tolerance from -40°C to +85°C
6. Storage Temperature Range: -55°C to +125°C
7. Aqueous wash compatible
8. SMD Lead Coplanarity: ±0.004"(0.102mm)
9. Electrical and mechanical specifications 100% tested
10. RoHS 6/6 Compliant Component

XFMR5 Inc. www.XFMR5.com	Title: TRANSFORMER		
	UNLESS OTHERWISE SPECIFIED TOLERANCES: .xxx ±0.010 INCH Dimensions in INCH	P/N: XF1323-CMC3	REV. A
SHEET 1 OF 1	DWN.	Juan Mao	Feb-03-09
	CHK.	YK Liao	Feb-03-09
	APP.	BW	Feb-03-09

DOC. REV A/7