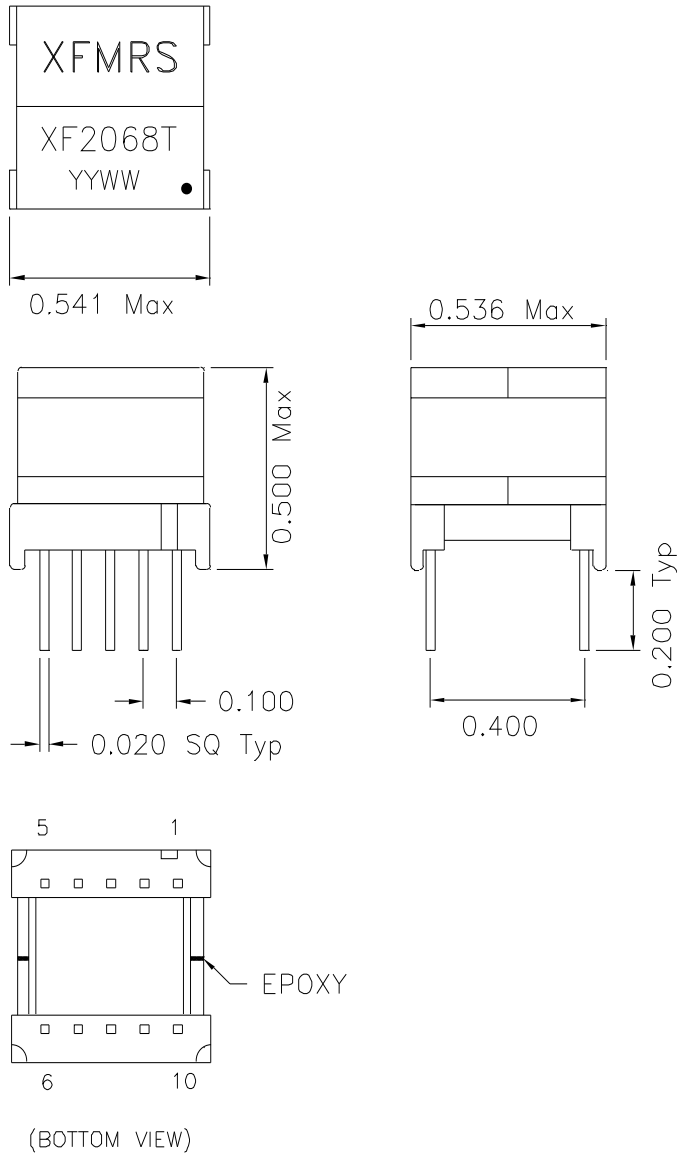
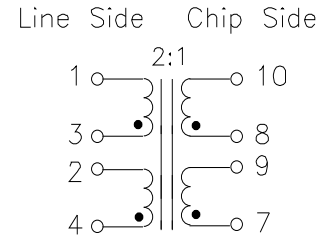


### 1. Dimensions:



### 2.Schematic:



### 3.Electrical Specifications: @25°C

Isolation: 1500Vrms  
 PIN10-7 OCL: 410uH±10% @10KHz 100mV  
 (CONNECT PIN8-9)  
 Leakage L: Pins1-4 6.5uH Max 300KHz, 0.1v  
 (Short 7-8-9&10)  
 DCR: 3-1, 4-2 0.5 Ohms Max (each)  
 DCR: 8-10, 7-9 0.5 Ohms Max (each)  
 Long Bal: -40dB Min 30Khz to 1.1MHz  
 THD: -72dB Min @20KHz  
 Insertion Loss: 1.0dB Max 100KHz & 1.1MHz  
 TURNS RATIO: (1-4):(10-7)=2CS:1CS ±2%  
 Application: CO

DOC. REV A/1

XFMRS Inc	Title: ADSL TRANSFORMER		
	UNLESS OTHERWISE SPECIFIED TOLERANCES: .xxx ±0.010 Dimensions in INCH	P/N: XF2068T	REV. A
		DWN. 李清儿	Jun-14-99
		CHK. 孙怡	Jun-14-99
SHEET 1 OF 1	APP. Joe Huff	Jun-14-99	