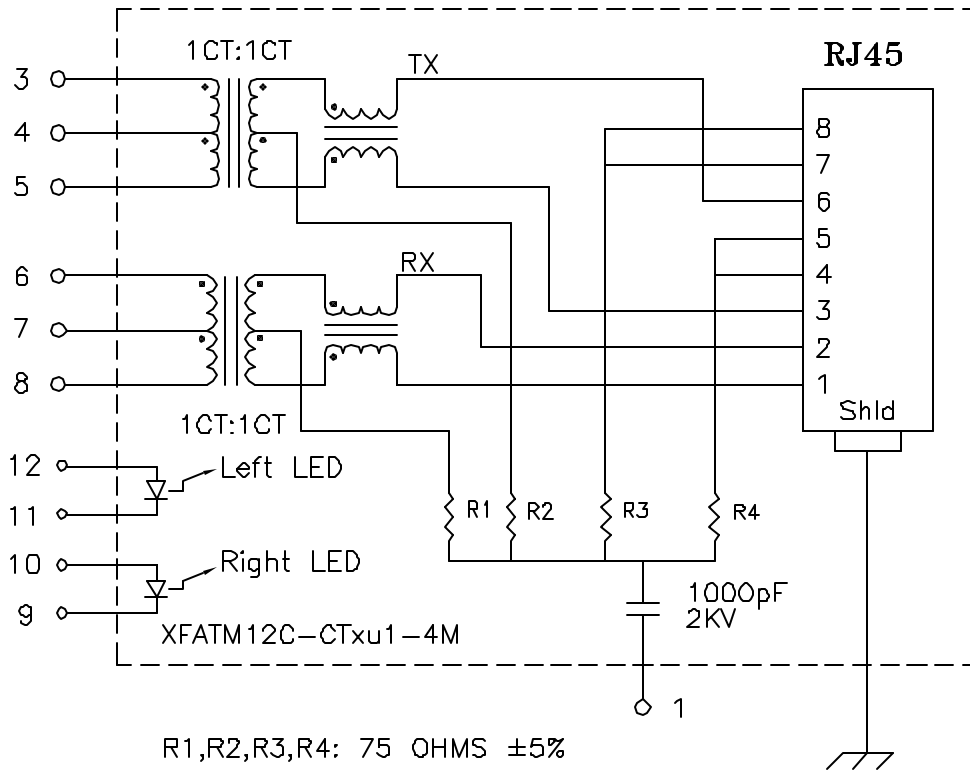


Schematic:



Electrical Specifications: @25°C

Isolation Voltage: 1500 Vrms (Input to Output)

Isolation Voltage: 500 Vrms (P3+4+5 to P6+7+8)

Turns Ratio: TX 1CT:1CT ±3% RX 1CT:1CT ±3%

CABLE SIDE OCL: 350uH Minimum @100KHz 100mV 8mADC

Q: 16 Minimum @100KHz 100mV

Cw/w: 27pF Typical @100KHz 100mV

Insertion Loss (300KHz-100MHz): -1.0dB Maximum

Return Loss: @30MHz -18dB Typ

@80MHz -12dB Typ

Complete the Combo P/N as follows:

Replace 'x' & 'u' in the part number with one of the LED color letters:

Y=Yellow

'x' = Left LED Color

G=Green

'u' = Right LED Color

A=Amber

R=Red

C=Green(1)/Amber(2) Bicolor

D=Amber(1)/Green(2) Bicolor

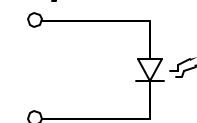
M=Green(1)/Yellow(2) Bicolor

N=Yellow(1)/Green(2) Bicolor

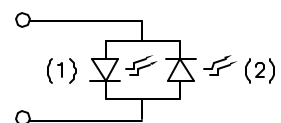
P=Red(1)/Green(2) Bicolor

Q=Green(1)/Red(2) Bicolor

Single Color LED:



Bi-Color LED:



Notes:

- Solderability: Leads shall meet MIL-STD-202, Method 208D for solderability.
- Flammability: UL94V-0
- ASTM oxygen Index: > 28%
- Insulation System: Class F 155°C. UL file E151556
- Operating Temperature Range: All listed parameters are to be within tolerance from -40°C to +85°C
- Storage Temperature Range: -55°C to +125°C
- Aqueous wash compatible
- Electrical and mechanical specifications 100% tested
- RoHS Compliant Component

DOC REV: A/4

PROPRIETARY:

Document is the property of XFMRS Group & is not allowed to be duplicated without authorization.

XFMRS Inc.

www.XFMRS.com

Title:

SINGLE PORT COMBO TAB UP

UNLESS OTHERWISE SPECIFIED

TOLERANCES:

.xxx ±0.010

Dimensions in Inch

SHEET 1 OF 2

P/N: XFATM12C-CTxu1-4M

REV. A

DWN.

Juan mao

Jun-05-08

CHK.

YK Liao

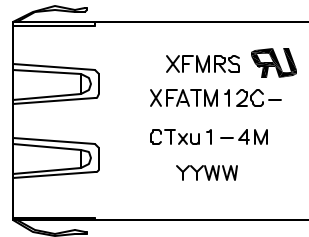
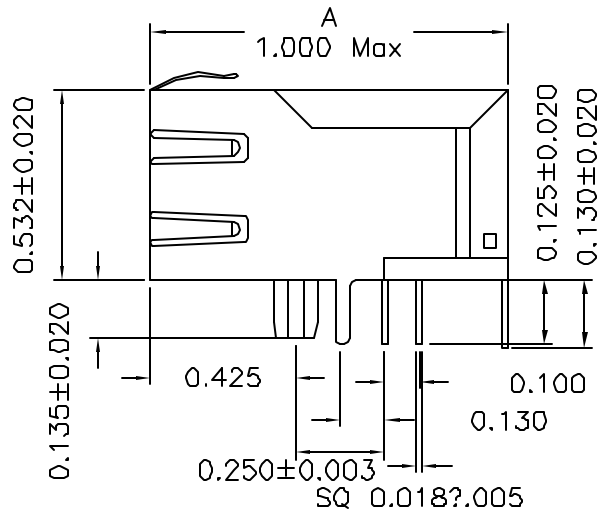
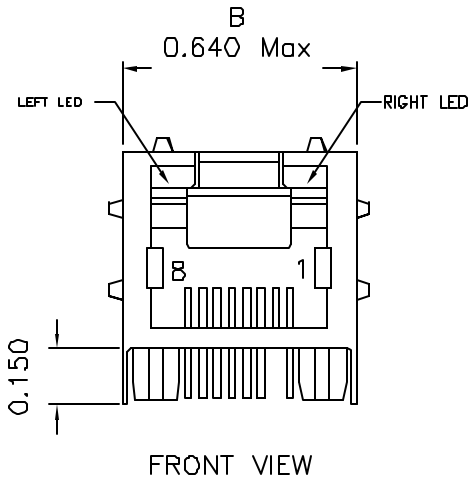
Jun-05-08

APP.

Joe Huff

Jun-05-08

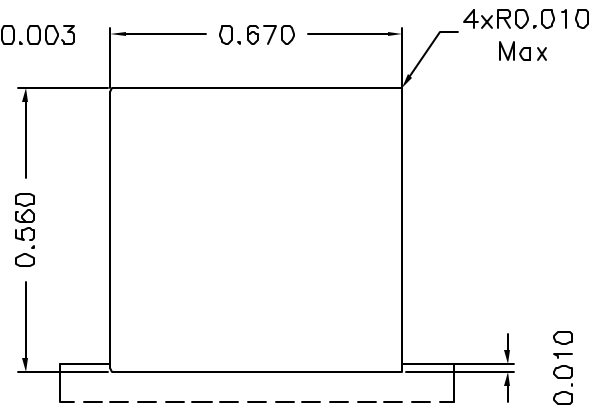
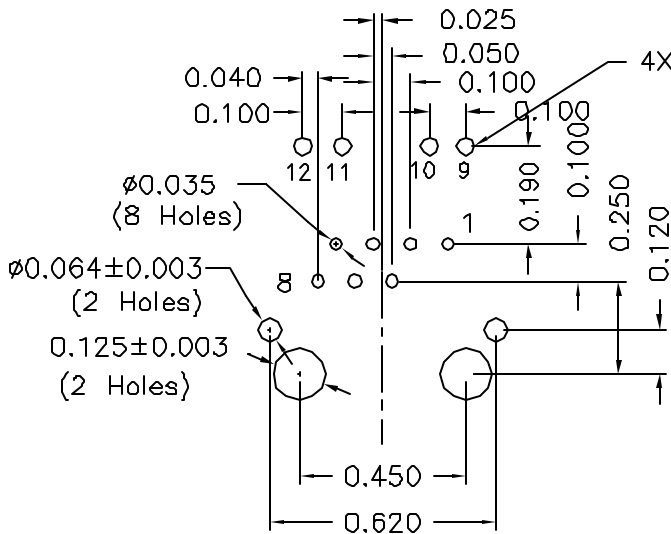
Mechanical Dimensions:



TOP VIEW

*Remove Pin#2

Mounting Pattern:



FACE VIEW
RECOMMENDED PANEL CUTOUT

DOC REV: A/4

XFMRS Inc.
www.XFMRS.com

Title: Mechanical Dimensions
For TAB UB RJ45 COMBO

UNLESS OTHERWISE SPECIFIED
TOLERANCES:
.xxx ±0.010
Dimensions in Inch

P/N: XFATM12C-CTxu1-4M
DWN. Juan Mao
CHK. YK Liao
APP. Joe Hff

REV. A
Jun-05-08
Jun-05-08
Jun-05-08

SHEET 2 OF 2

PROPRIETARY:

Document is the property of XFMRS Group & is not allowed to be duplicated without authorization.