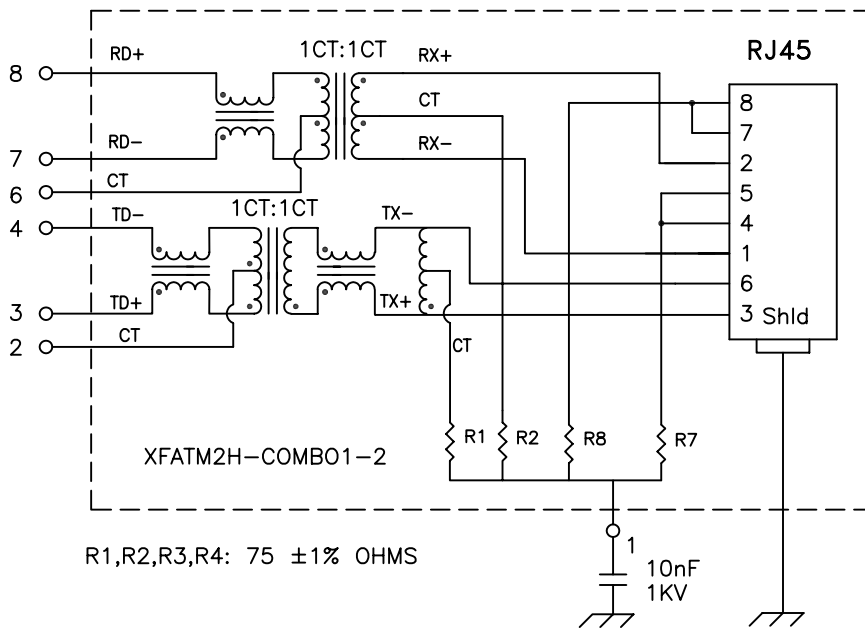


Schematic:



Electrical Specifications: @25°C

Isolation Voltage: 1500 Vrms (INPUT to OUTPUT)
 UTP SIDE OCL: 350uH Min @100KHz 100mV 8mADC
 Rise Time (10-90%): 2.5ns Typical
 Insertion Loss (100KHz-100MHz): -1.1dB Maximum
 Insertion Loss (100MHz-125MHz): -1.5dB Maximum
 Return Loss: -20dB Min. @30MHz
 -15dB Min. @80MHz

Crosstalk:

100KHz-60MHz -40dB Typical
 60MHz-100MHz -38dB Typical

Common Mode to Differential Mode Rejection:

100KHz-60MHz -45dB Typ (Tx) / -40dB Typ (Rx)
 60MHz-100MHz -40dB Typ (Tx) / -35dB Typ (Rx)

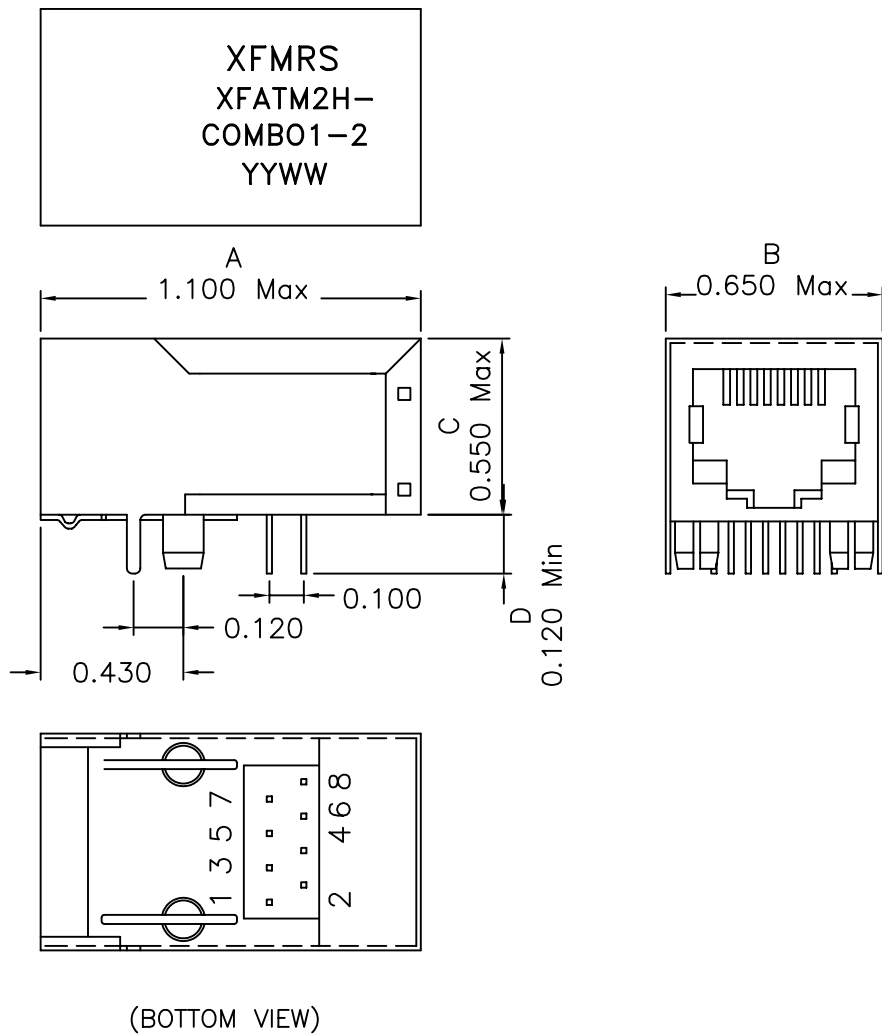
Note:

- Solderability: Leads shall meet MIL-STD-202, Method 208D for solderability.
- Flammability: UL94V-0,
- ASTM oxygen index: > 28% ,
- Temperature rating: 155°C. UL file E151556,
- Operating Temperature Range: -40°C to +85°C

DOC. REV A/2

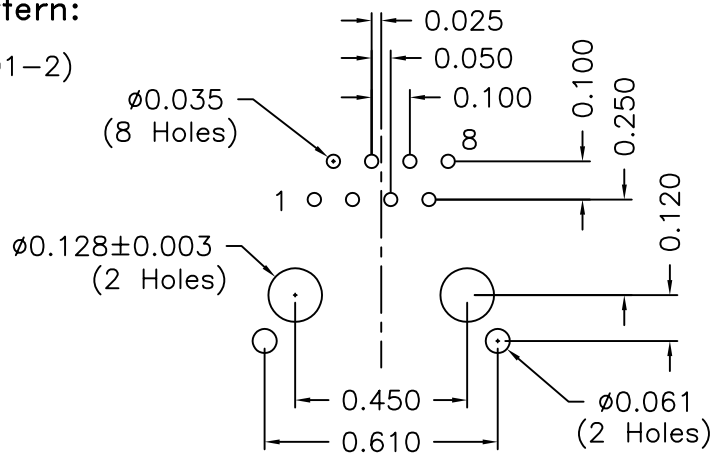
XFMRs Inc.	Title: SINGLE PORT COMBO		
	UNLESS OTHERWISE SPECIFIED TOLERANCES: .xxx ±0.010 Dimensions in Inch	P/N: XFATM2H-COMBO1-2	REV. A
		DWN.	廖玉坤 Feb-12-01
		CHK.	李清儿 Feb-12-01
SHEET 1 OF 1	APP.	BW Feb-12-01	

Mechanical Dimensions:



Mounting Pattern:

(FOR COMBO1-2)
(COMP SIDE)



<p>XFMRs Inc.</p> <p>UNLESS OTHERWISE SPECIFIED TOLERANCES: .xxx ± 0.010 Dimensions in Inch</p> <p>DOC. REV A/2</p>	Title: Mechanical Dimensions For COMBO1-2 Series	
	P/N: XFATM2H-COMBO1-2	REV. A
	DWN. 廖玉坤	Feb-12-01
	CHK. 李清儿	Feb-12-01
SHEET 2 OF 2	APP. BW	Feb-12-01