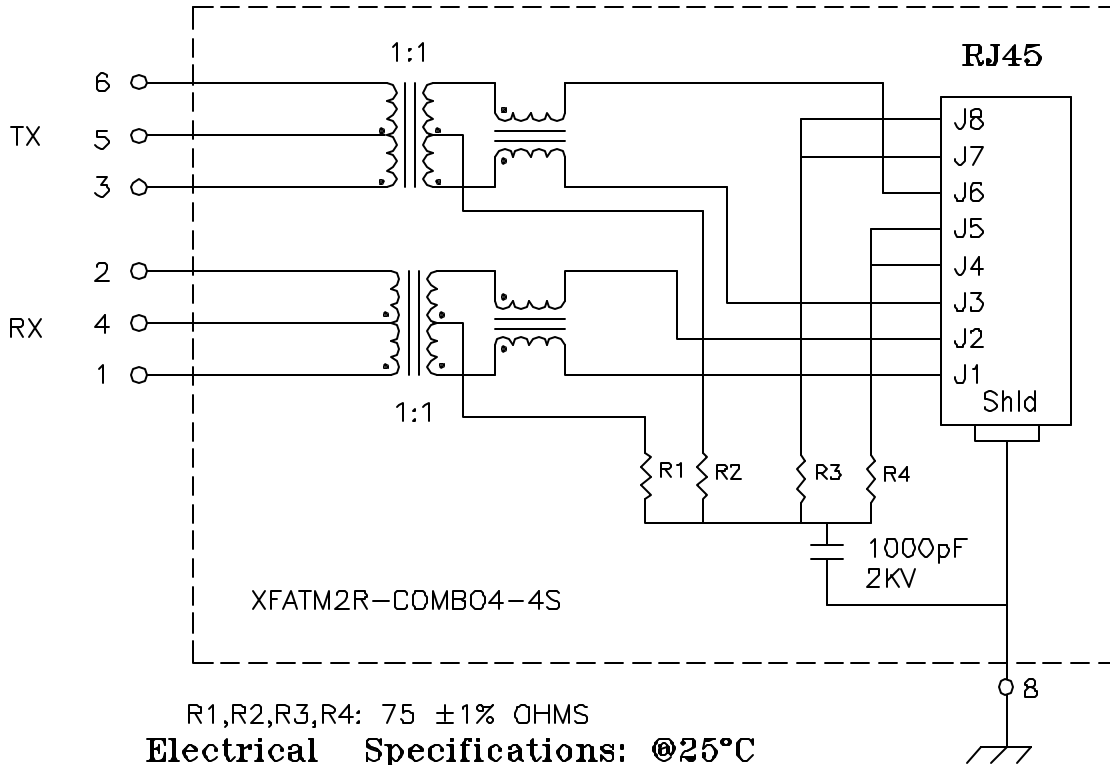


Schematic:

(One of Four)



R1,R2,R3,R4: 75 ±1% OHMS

Electrical Specifications: @25°C

Isolation Voltage: 1500 Vac

Isolation Voltage: 500 Vac (1+4+2 to 3+5+6)

UTP SIDE OCL: 350uH Min @100KHz 100mV 8mADC

Leakage Inductance: P6-P3 0.3uH Max @100KHz 100mV Short J6 and J3

Leakage Inductance: P2-P1 0.3uH Max @100KHz 100mV Short J2 and J1

C_{ww}: {P6, P5, & P3} to {J6 & J3} 30pF Typ @100KHz 100mV

C_{ww}: {P2, P4, & P1} to {J2 & J1} 30pF Typ @100KHz 100mV

DCR: {J6-J3} = {J2-J1} 1.2 Ohms Max

Rise Time (10-90%): 2.5ns Typ

Insertion Loss (100KHz-100MHz): -1.2dB Max

Return Loss: -18dB Min @1MHz - 30MHz

Return Loss: -12dB Min @60MHz - 80MHz

Crosstalk: 40dB Typ @1MHz to 100MHz

Common Mode to Differential Mode Rejection:

30MHz-100MHz -35dB Typ (Tx) / -35dB Typ (Rx)

Notes:

1. Solderability: Leads shall meet MIL-STD-202, Method 208D for solderability.
2. Flammability: UL94V-0
3. ASTM oxygen index: > 28%
4. Insulation System: Class F 155°C. UL file E151556
5. Operating Temperature Range: All listed parameters are to be within tolerance from -40°C to +85°C
6. Storage Temperature Range: -55°C to +125°C
7. Aqueous wash compatible

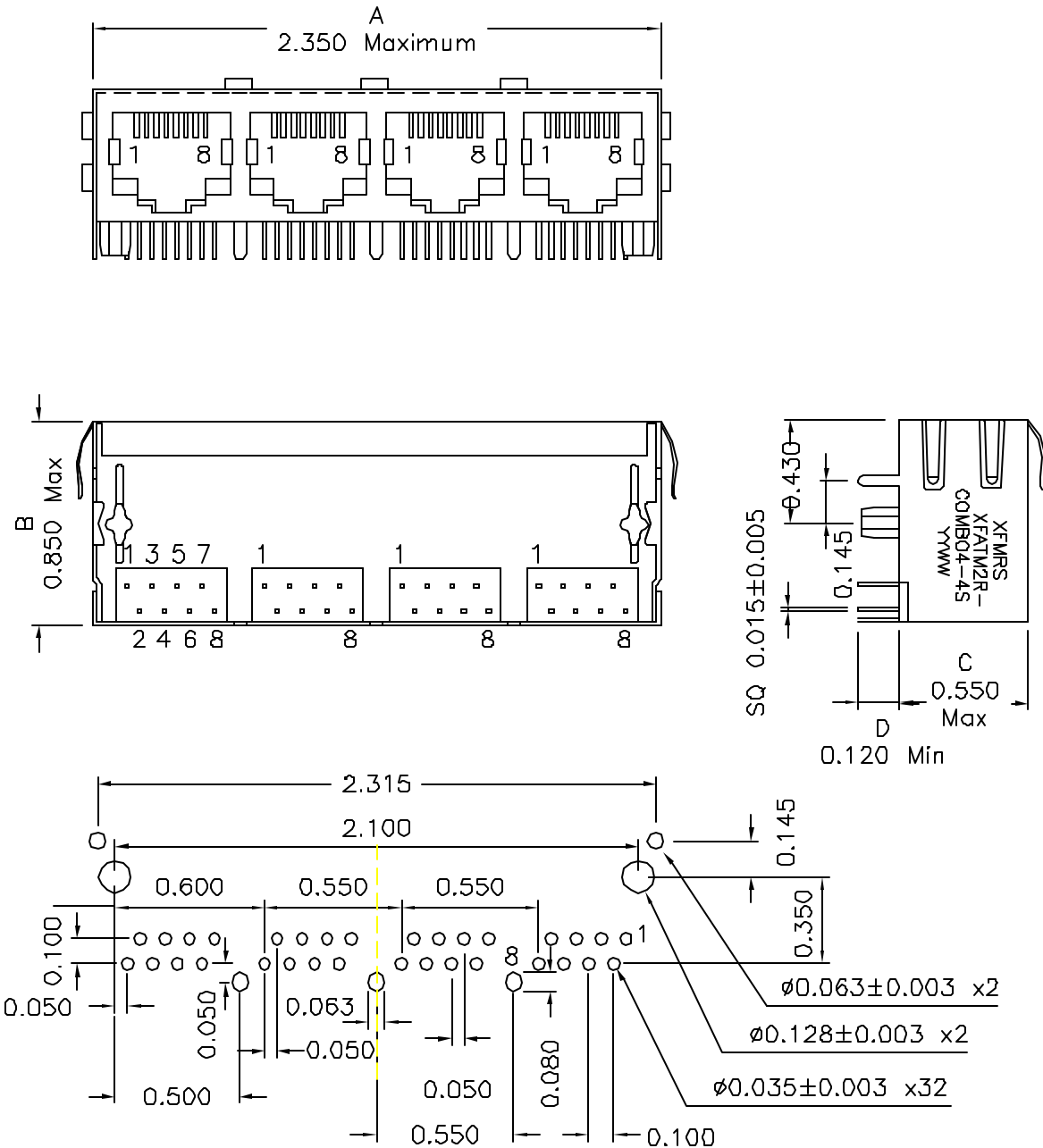
DOC. REV: A/1

PROPRIETARY:

Document is the property of XFMRs Group & is not allowed to be duplicated without authorization.

XFMRs Inc. UNLESS OTHERWISE SPECIFIED TOLERANCES: .xxx ±0.010 Dimensions in Inch SHEET 1 OF 2		Title: FOUR PORT COMBO	
		P/N: XFATM2R-COMBO4-4S	REV. A
DWN.	刘 鹏	Mar-23-04	
CHK.	李小锋	Mar-23-04	
APP.	BW	Mar-23-04	

Mechanical Dimensions: (FOR COMBO4-4S)



SUGGESTED MOUNTING PATTERN

DOC. REV: A/1

PROPRIETARY:

Document is the property of XFMR5 Group & is not allowed to be duplicated without authorization.

XFMR5 Inc.	Title: Mechanical Dimensions For COMBO4-4S Series	
	UNLESS OTHERWISE SPECIFIED TOLERANCES: .xxx ±0.010	P/N: XFATM2R-COMBO4-4S
Dimensions in Inch	DWN. 罗振江	Mar-23-04
	CHK. 廖玉坤	Mar-23-04
SHEET 2 OF 2	APP. BW	Mar-23-04