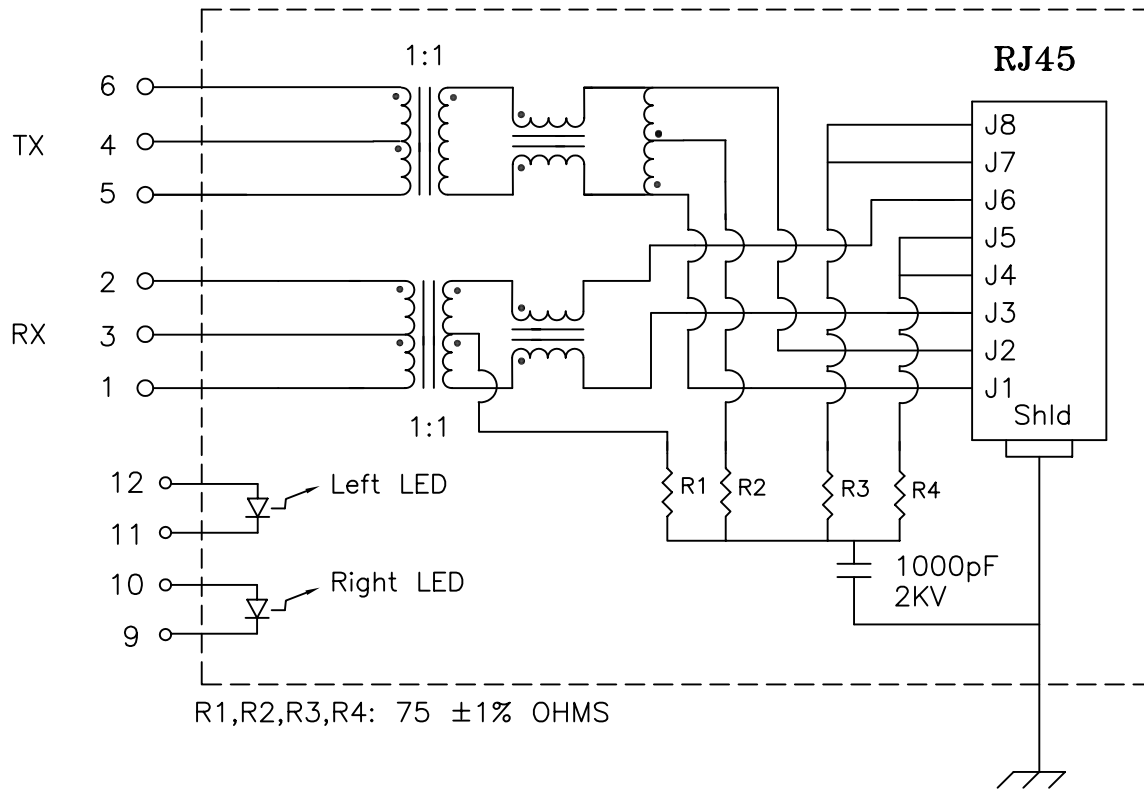


Schematic:

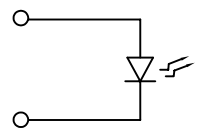


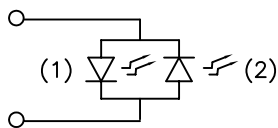
Electrical Specifications: @25°C

Isolation Voltage: 1500 Vac
 Isolation Voltage: 500 Vac (1+2+3+5+6+7)
 UTP SIDE OCL: 350uH Min @100KHz 100mV 8mADC
 Rise Time (10–90%): 2.5ns Typical
 Insertion Loss (300KHz–100MHz): –1.1dB Maximum
 Insertion Loss (100MHz–125MHz): –1.5dB Maximum
 Return Loss: –12dB Typical @300KHz – 100MHz
 Crosstalk:
 100KHz–60MHz –40dB Typical
 60MHz–100MHz –38dB Typical
 Common Mode to Differential Mode Rejection:
 1MHz–100MHz –30dB Typ (Tx) / –30dB Typ (Rx)
 200MHz –20dB Typ (Tx) / –20dB Typ (Rx)

Complete the Combo P/N as follows:

Replace 'x' & 'u' in the part number with one of the LED color letters:
 Y=Yellow 'x' = Left LED Color
 G=Green 'u' = Right LED Color
 A=Amber
 R=Red
 C=Green(1)/Amber(2) Bicolor
 D=Amber(1)/Green(2) Bicolor
 M=Green(1)/Yellow(2) Bicolor
 N=Yellow(1)/Green(2) Bicolor
 P=Red(1)/Green(2) Bicolor
 Q=Green(1)/Red(2) Bicolor

Single Color LED: 

Bi-Color LED: 

DOC REV: A/1

XFMR'S Inc.

Title:
TAB UP COMBO W/ LED'S

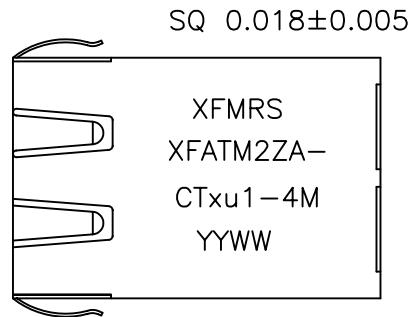
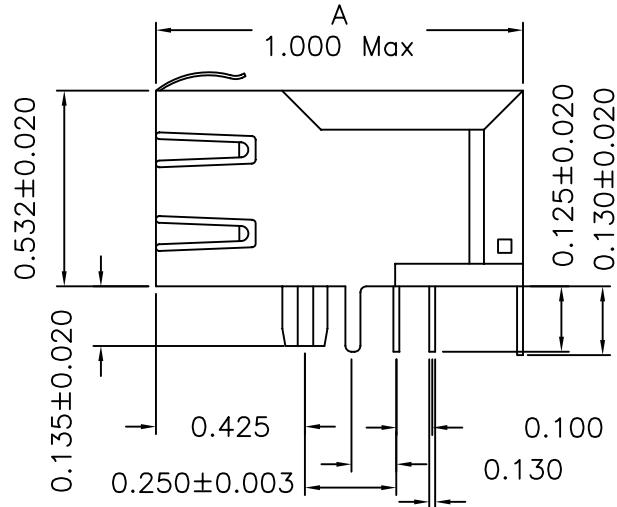
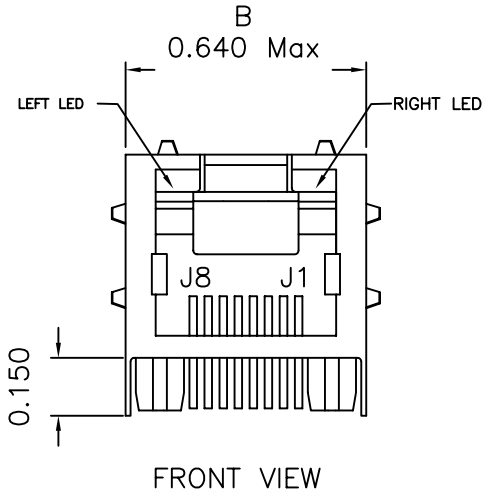
UNLESS OTHERWISE SPECIFIED
 TOLERANCES:
 .xxx ±0.010
 Dimensions in Inch
 SHEET 1 OF 2

P/N: XFATM2ZA-CTxu1-4M	REV. A
DWN. Juan Mao	Apr-20-04
CHK. YK Liao	Apr-20-04
APP. Isaiah M	Apr-20-04

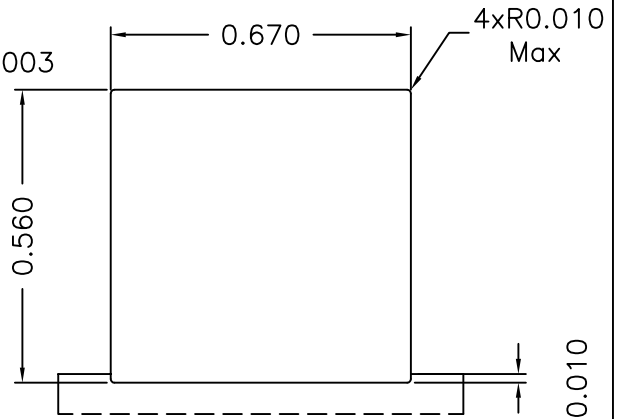
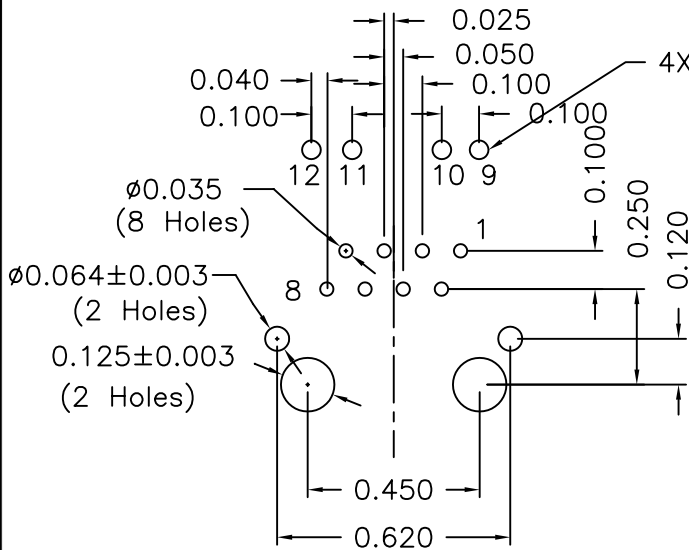
PROPRIETARY:

Document is the property of XFMR'S Group & is not allowed to be duplicated without authorization.

Mechanical Dimensions:



Mounting Pattern:



FACE VIEW
RECOMMENDED PANEL CUTOUT

DOC REV: A/1

PROPRIETARY:
Document is the property of XFMRS Group & is not allowed to be duplicated without authorization.

XFMRS Inc.	Title: Mechanical Dimensions For TAB UB RJ45 COMBO		
	UNLESS OTHERWISE SPECIFIED TOLERANCES: .xxx ± 0.010 Dimensions in Inch	P/N: XFATM2ZA-CTxu1-4M	REV. A
	DWN.	Kang Chen	Apr-20-04
	CHK.	YK Liao	Apr-20-04
SHEET 2 OF 2	APP.	Isaiah M	Apr-20-04