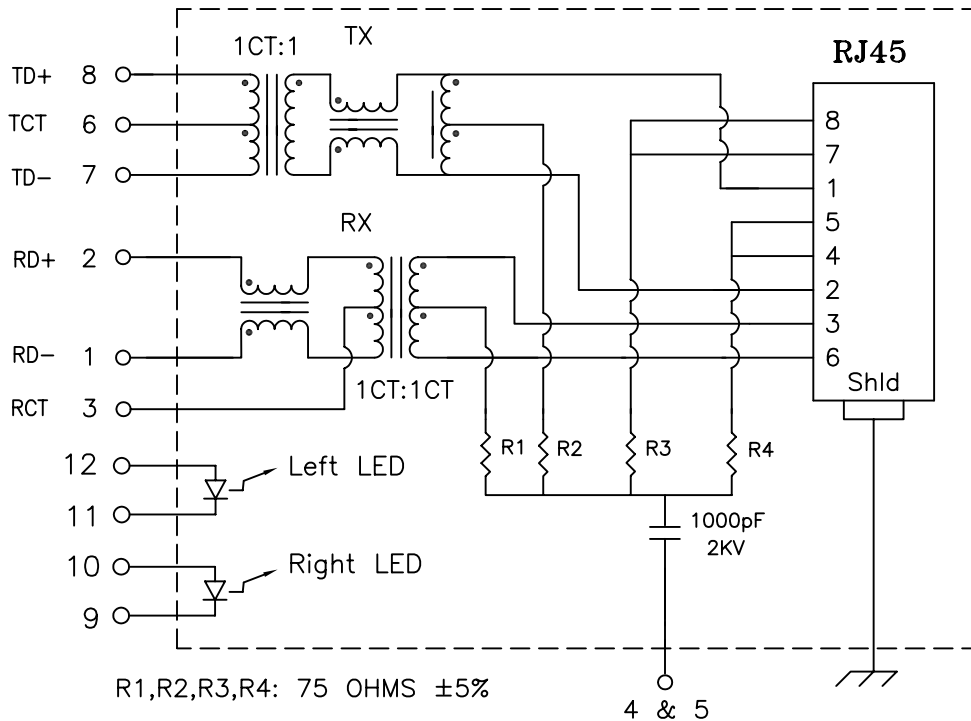


## Schematic:



## Electrical Specifications: @25°C

Isolation Voltage: 1500 Vrms (INPUT to OUTPUT)

Isolation Voltage: 500 Vrms (8+6+7-2+1+3)

URNS RATIO: TX 1CT:1  $\pm$ 5% RX 1CT:1CT  $\pm$ 5%

OCL: 350uH Minimum @100KHz 100mV 8mADC

Insertion Loss (1MHz-100MHz): -1.0dB Max

Return Loss: 30MHz -16dB Typical

60MHz -14dB Typical

80MHz -12dB Typical

CROSSTALK: 1MHz-100MHz -35dB Minimum

CMRR: 1MHz-100MHz -35dB Minimum

### Notes:

- Solderability: Leads shall meet MIL-STD-202, Method 208D for solderability.
- Flammability: UL94V-0
- ASTM oxygen index: > 28%
- Insulation System: Class F 155°C. UL file E151556
- Operating Temperature Range: All listed parameters are to be within tolerance from -40°C to +85°C
- Storage Temperature Range: -55°C to +125°C
- Aqueous wash compatible

Complete the Combo P/N as follows:

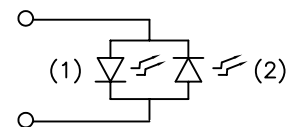
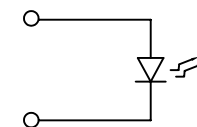
Replace 'x' & 'u' in the part number with one of the LED color letters:

Y=Yellow  
G=Green  
A=Amber  
R=Red  
C=Green(1)/Amber(2) Bicolor  
D=Amber(1)/Green(2) Bicolor  
M=Green(1)/Yellow(2) Bicolor  
N=Yellow(1)/Green(2) Bicolor  
P=Red(1)/Green(2) Bicolor  
Q=Green(1)/Red(2) Bicolor

'x' = Left LED Color  
'u' = Right LED Color

Single Color LED:

Bi-Color LED:



**XFMRs Inc.**

Title: **SINGLE PORT COMBO**

UNLESS OTHERWISE SPECIFIED  
TOLERANCES:  
.xxx  $\pm$ 0.010

P/N: XFATM6D-CTxu1-4M

REV. A

Dimensions in Inch  
SHEET 1 OF 2

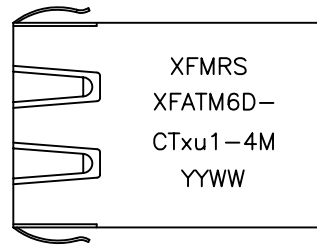
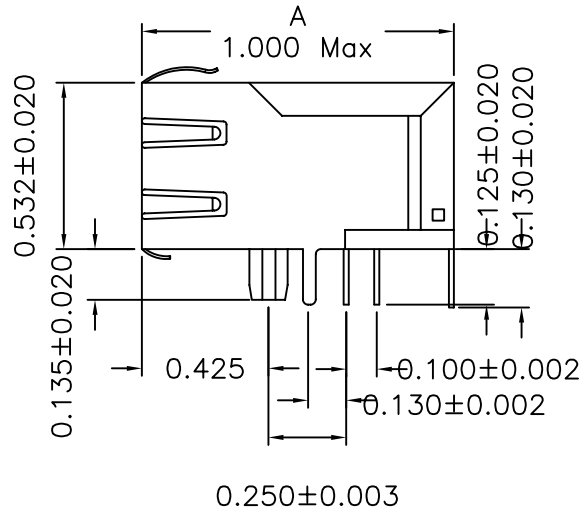
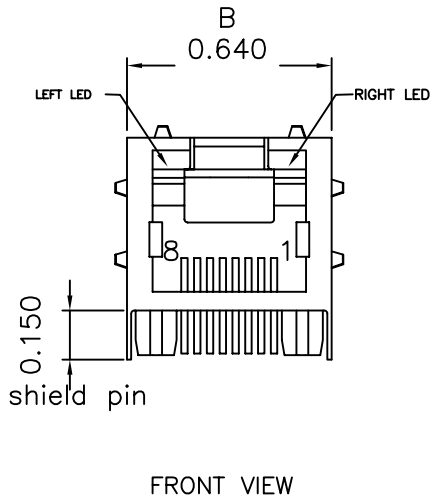
DWN. 廖玉坤 May-02-03

CHK. 李清儿 May-02-03

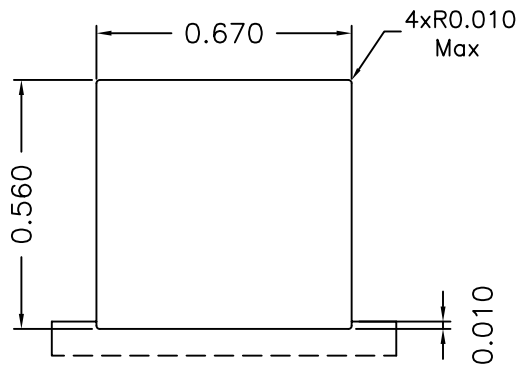
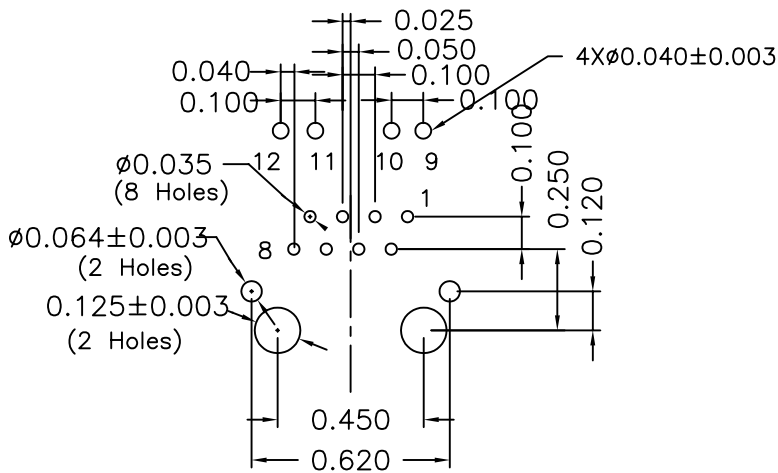
APP. MS May-02-03

DOC. REV: A/5

### Mechanical Dimensions:



### Mounting Pattern:



RECOMMENDED PANEL CUTOUT

DOC. REV A/4

<b>XFMR Inc.</b>	Title: Mechanical Dimensions For TAB UB RJ45 COMBO		
	UNLESS OTHERWISE SPECIFIED TOLERANCES: .xxx ±0.010 Dimensions in Inch	P/N: XFATM6D-CTxu1-4M	REV. A
	DWN.	李小锋	May-02-03
	CHK.	廖玉坤	May-02-03
SHEET 2 OF 2	APP.	MS	May-02-03