

PLEASE CHECK WWW.MOLEX.COM FOR LATEST PART INFORMATION

Part Number: [0015040293](#)
Status: **Active**
Description: Universal Polarizing Key, White

Documents:
[Drawing \(PDF\)](#)

[RoHS Certificate of Compliance \(PDF\)](#)

General

Product Family	Accessories
Series	40713
Comments	Delivered on a Carrier With 20 Parts per Strip
Component Type	Polarizing Key
Product Name	MX-50™

Physical

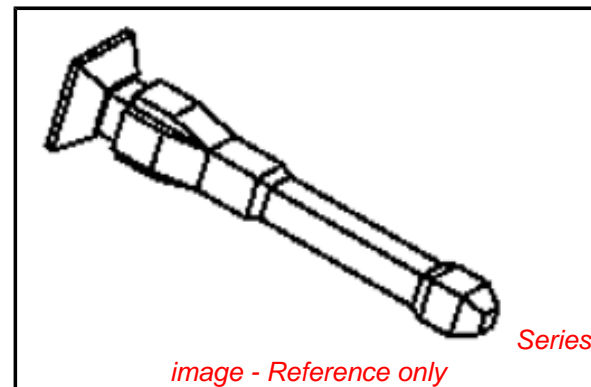
Circuits (Loaded)	1
Lock to Mating Part	No
Packaging Type	Bag

Material Info

Old Part Number	40713-02
-----------------	----------

Reference - Drawing Numbers

Sales Drawing	SD-40713-**
---------------	-------------



EU RoHS

**ELV and RoHS
Compliant**
REACH SVHC
 Not Reviewed
**Halogen-Free
Status**

China RoHS



**Need more information on product
environmental compliance?**

Email productcompliance@molex.com
 For a multiple part number RoHS Certificate of
 Compliance, [click here](#)

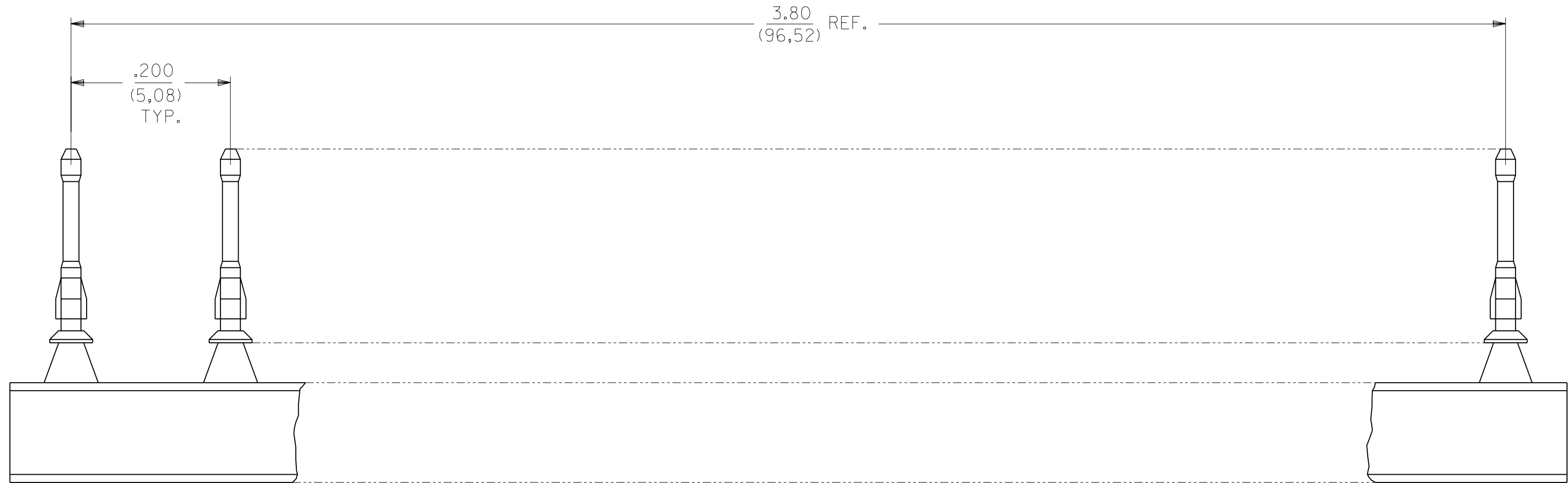
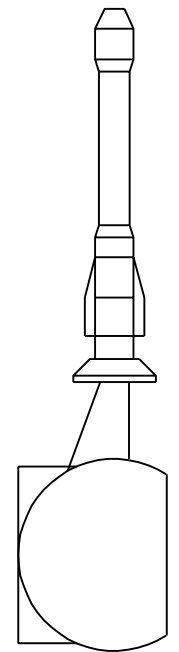
Please visit the [Contact Us](#) section for any
 non-product compliance questions.

Search Parts in this Series

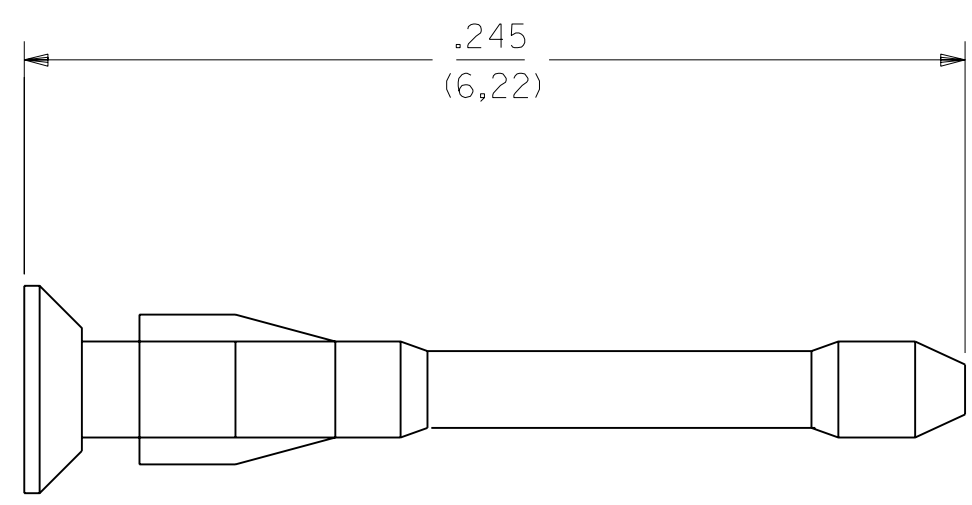
[40713Series](#)

Use With

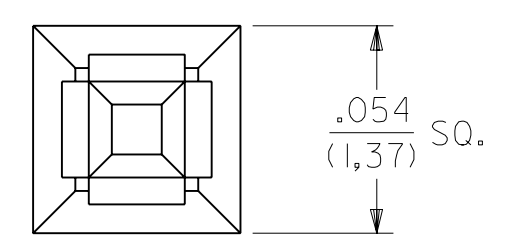
[70066 SL™](#) Crimp Housing, . [70450 SL™](#)
 Crimp Housing. [70400 C-Grid SL™](#) IDT
 Connector Assembly. [70430 C-Grid SL™](#) .
[71850 C-Grid®](#) Receptacle. [71395 C-Grid®](#)
 PCB Connector



SCALE 8:1



SCALE 20:1



NOTES:

1. MATERIAL: G.F. POLYESTER; UL 94V-0, COLOR: SEE CHART
2. TO BE USED WITH PRODUCT HAVING .032 - .038 SQ. PIN WINDOWS.
3. KEY IS MOLDED AS A 20-PIECE UNIT.
4. PART FUNCTIONS WITH OR WITHOUT PRESENCE OF CONTACT IN HOUSING.

15-04-0293	WHITE
15-04-0292	BLACK
ORDER NO.	COLOR PIN MATERIAL

D	ADD TO CAD ECN UDT2001-0538 SCHAFFER 00/11/17
---	---

DIMENSIONS SHOWN (METRIC) INCH UNLESS OTHERWISE SPECIFIED TOLERANCES: ANGULAR ± 1/2°		▽ = 0	▼ = 0	REVISE ONLY ON CAD SYSTEM												
<table border="1"> <tr> <th></th> <th>INCH</th> <th>METRIC</th> </tr> <tr> <td>3 PLACE</td> <td>± .005</td> <td>---</td> </tr> <tr> <td>2 PLACE</td> <td>± .01</td> <td>± 0,13</td> </tr> <tr> <td>1 PLACE</td> <td>---</td> <td>± 0,25</td> </tr> </table>			INCH	METRIC	3 PLACE	± .005	---	2 PLACE	± .01	± 0,13	1 PLACE	---	± 0,25	TITLE UNIVERSAL POLARIZING PIN		
	INCH	METRIC														
3 PLACE	± .005	---														
2 PLACE	± .01	± 0,13														
1 PLACE	---	± 0,25														
DRAFT WHERE APPLICABLE MUST REMAIN WITHIN DIMENSIONS		<table border="1"> <tr> <td>MOLEX</td> <td>MOLEX INCORPORATED</td> <td>SHEET NO.</td> <td>DATE</td> </tr> <tr> <td></td> <td>LISLE, ILL. 60532</td> <td>1 OF 1</td> <td>11 / 17 / 00</td> </tr> </table>			MOLEX	MOLEX INCORPORATED	SHEET NO.	DATE		LISLE, ILL. 60532	1 OF 1	11 / 17 / 00				
MOLEX	MOLEX INCORPORATED	SHEET NO.	DATE													
	LISLE, ILL. 60532	1 OF 1	11 / 17 / 00													
DRWG. BY: JJS	CHK'D. BY: DJB	PART NO. SD-40713-***														
APP'D. BY: DJB	SCALE: 20:1	SEE CHART														
		<table border="1"> <tr> <td>FILE NAME</td> <td>THIS DRAWING CONTAINS INFORMATION THAT IS PROPRIETARY TO MOLEX INC. AND SHOULD NOT BE USED WITHOUT WRITTEN PERMISSION.</td> <td>DIV.</td> <td>SIZE</td> </tr> <tr> <td></td> <td></td> <td>DD</td> <td>C</td> </tr> </table>			FILE NAME	THIS DRAWING CONTAINS INFORMATION THAT IS PROPRIETARY TO MOLEX INC. AND SHOULD NOT BE USED WITHOUT WRITTEN PERMISSION.	DIV.	SIZE			DD	C				
FILE NAME	THIS DRAWING CONTAINS INFORMATION THAT IS PROPRIETARY TO MOLEX INC. AND SHOULD NOT BE USED WITHOUT WRITTEN PERMISSION.	DIV.	SIZE													
		DD	C													