

PLEASE CHECK WWW.MOLEX.COM FOR LATEST PART INFORMATION

Part Number: **0190230010**
Status: **Active**
Description: InsulKrimp™ Quick Disconnect, Male, for 14-16 (2.00-1.30) Wire, Box, Tab 4.75mm (.187") x 0.51mm (.020")

Documents:

[Drawing \(PDF\)](#) [RoHS Certificate of Compliance \(PDF\)](#)
[Product Specification PS-19902-008 \(PDF\)](#)

General

Product Family	Quick Disconnects
Series	<u>19023</u>
Comments	Funnel Entry
Crimp Quality Equipment	Yes
MolexKits	Yes
Product Name	InsulKrimp™
Type	Quick Disconnect

Physical

Barrel Type	Closed
Color - Resin	Natural
Gender	Male
Glow-Wire Compliant	No
Insulation	PVC
Lock to Mating Part	None
Material - Metal	Copper
Material - Resin	PVC
Orientation	Straight
Packaging Type	Bag
Polarized to Mating Part	No
Tab Thickness	0.51mm (.020")
Tab Width	4.75mm (.187")
Temperature Range - Operating	-50°C to +105°C
Wire Insulation Diameter	4.40mm (.175") max.
Wire Size AWG	14, 16
Wire Size mm²	1.30 - 2.00

Electrical

Voltage - Maximum	600V
-------------------	------

Material Info

Old Part Number	MCT-27X
-----------------	---------

Reference - Drawing Numbers

Product Specification	PS-19902-008
Sales Drawing	SD-19023-004

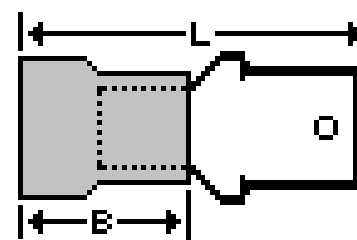


image - Reference only

Series

EU RoHS

ELV and RoHS Compliant

REACH SVHC

Not Reviewed

Halogen-Free

Status

Not Reviewed

China RoHS



Need more information on product environmental compliance?

Email productcompliance@molex.com
 For a multiple part number RoHS Certificate of Compliance, [click here](#)

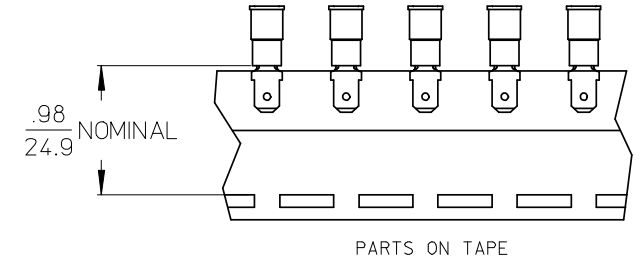
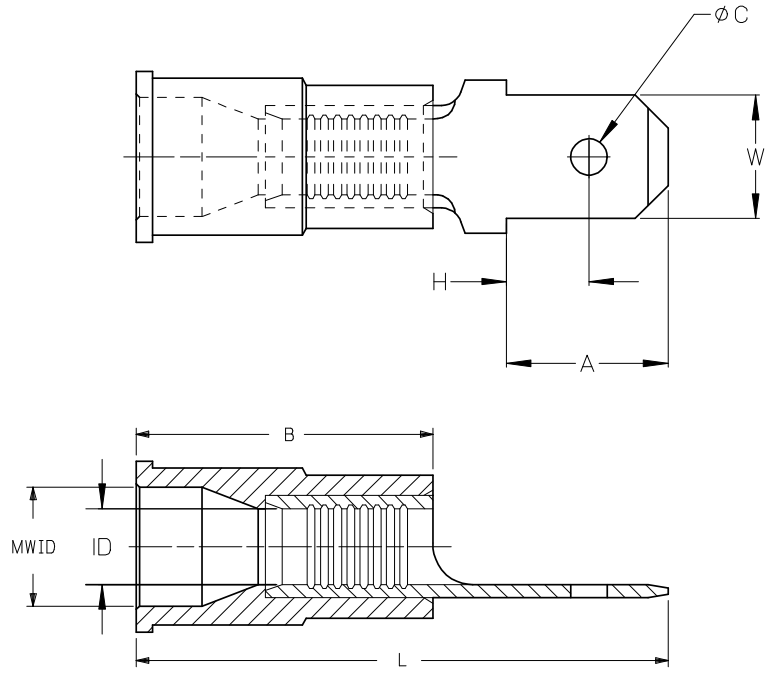
Please visit the [Contact Us](#) section for any non-product compliance questions.

Search Parts in this Series

[19023Series](#)

10	9	8	7	6	5	4	3	2	1							
LOOSE PC MATERIAL NUMBER	LOOSE PC ENGINEERING NUMBER	ON TAPE MATERIAL NUMBER	ON TAPE ENGINEERING NUMBER	WIRE RANGE	TAB SIZE REFERENCE	COLOR	ID MIN	B MAX	MWID	L MAX	W ± .005 / 0.13	A MIN	H MAX	C ± .007 / 0.18	TERMINAL MAT'L THICKNESS REF.	TERMINAL FINISH
190230005	AMCT-2X	190230006	AMCT-2XT	22-18AWG (0.38-0.96mm ²)	.250x.032 (6.35x0.81)	RED	.062 /1.57	.450 /11.43	.145 /3.68	.92 /23.4	.250/6.35	.30/7.6	.14/3.6	.075/1.91	BRASS, .032/0.81	ZINC CHROMATE
190230012	MCT-2X	190230014	MCT-2XT	16-14 AWG (1.23-1.94mm ²)	.250x.032 (6.35x0.81)	BLUE	.081 /2.06	.450 /11.43	.175 /4.44	.92 /23.4	.250/6.35	.30/7.6	.14/3.6	.075/1.91	BRASS, .032/0.81	ZINC CHROMATE
190230008	CMCT-2X	190230009	CMCT-2XT	12-10 AWG (3.09-5.01mm ²)	.250x.032 (6.35x0.81)	YELLOW	.128 /3.25	.550 /13.97	.245/6.22	1.10 /27.94	.250/6.35	.30/7.6	.14/3.6	.075/1.91	BRASS, .032/0.81	ZINC CHROMATE
190230003	AMCT-27X	190230004	AMCT-27XT	22-18AWG (0.38-0.96mm ²)	.187x.020 (4.75x0.51)	RED	.062 /1.57	.450 /11.43	.145 /3.68	.82 /23.4	.187/4.75	.24/6.1	.13/3.3	.055/1.40	BRASS, .020/0.51	ZINC CHROMATE
190230010	MCT-27X	190230011	MCT-27XT	16-14 AWG (1.23-1.94mm ²)	.187x.020 (4.75x0.51)	BLUE	.081 /2.06	.450 /11.43	.175 /4.44	.82 /23.4	.187/4.75	.24/6.1	.13/3.3	.055/1.40	BRASS, .020/0.51	ZINC CHROMATE

©



© (ALL NOTES)

- NOTES:
1. MALE QD MATERIAL: SEE CHART
 2. MALE QD FINISH: SEE CHART
 3. INSULATION MATERIAL: PVC
 4. TAB DIMENSIONS CONFORM TO UL310 SPECIFICATIONS.
 5. PART IS ROHS COMPLIANT.

REDRWN W/MATL & FIN CHG
 EC NO: ETC2007-0081
 DRAWN:EHILE 2008/01/28
 CHKD:MACNEIL 2008/01/28
 APPR:JMACNEIL 2008/02/13

REV	DESCRIPTION
1	QUALITY SYMBOLS
	▽=0
	∇=0

GENERAL TOLERANCES (UNLESS SPECIFIED)	
	ANGULAR ±---°
4 PLACES	±---
3 PLACES	±---
2 PLACES	±---
1 PLACE	±---

DRAFT WHERE APPLICABLE
 MUST REMAIN
 WITHIN DIMENSIONS

DIMENSION STYLE	
IN/MM ©	
DRAWN BY	DATE
RCM	1991/01/25
CHECKED BY	DATE
---	---
APPROVED BY	DATE
---	---
MATERIAL NO.	DOCUMENT NO.
SEE CHART	SD-19023-004
SIZE B	THIS DRAWING CONTAINS INFORMATION THAT IS PROPRIETARY TO MOLEX INCORPORATED AND SHOULD NOT BE USED WITHOUT WRITTEN PERMISSION

SCALE	DESIGN UNITS	THIRD ANGLE PROJECTION
---	INCH	◎
TITLE		
MALE QUICK DISCONNECT, INSULKRIMP		
MOLEX MOLEX INCORPORATED		
MATERIAL NO.	DOCUMENT NO.	SHEET NO.
SEE CHART	SD-19023-004	1 OF 1