

PLEASE CHECK WWW.MOLEX.COM FOR LATEST PART INFORMATION

Part Number: [0260010902](#)
Status: **Active**
Overview: ribbon_cable_jumpers
Description: 2.54mm (.100") Pitch Board-to-Board Ribbon Cable Jumper - 24 AWG, Solid Tinned, 9 Circuits, Kinked Tails, 0.051m (2.00") Length

Documents:

[Drawing \(PDF\)](#) [RoHS Certificate of Compliance \(PDF\)](#)

General

| | |
|-------------------------|--------------------------------------|
| Product Family | Cable |
| Series | 26001 |
| Crimp Quality Equipment | Yes |
| Geographic Area | Asia |
| Overview | ribbon_cable_jumpers |
| Product Name | Ribbon |

Physical

| | |
|-------------------------------|----------------------|
| Cable Length | 0.051m (2.00") |
| Circuits (Loaded) | 9 |
| Circuits (maximum) | 9 |
| Insulation | PVC |
| Packaging Type | Bag |
| Pitch - Term. Interface (in) | 0.100 In |
| Pitch - Term. Interface (mm) | 2.54 mm |
| Temperature Range - Operating | -20°C to +105°C |
| Wire Size AWG | 24 |
| Wire/Cable Type | (1x24) Solid, Tinned |

Electrical

| | |
|-------------------------------|------|
| Current - Maximum per Contact | N/A |
| Voltage - Maximum | 300V |

Material Info

Reference - Drawing Numbers

| | |
|---------------|--------------|
| Sales Drawing | SD-26001-001 |
|---------------|--------------|



EU RoHS

**ELV and RoHS
Compliant**
**REACH SVHC
Not Reviewed**
**Halogen-Free
Status**

China RoHS



**Need more information on product
environmental compliance?**

Email productcompliance@molex.com
 For a multiple part number RoHS Certificate of Compliance, [click here](#)

Please visit the [Contact Us](#) section for any non-product compliance questions.

Search Parts in this Series
[26001Series](#)

CABLE SPECIFICATIONS:

1.- STANDARD KINKED JUMPER SERIES #26001 (24545 CABLE, .128" S/R BOTH ENDS)

2.- PHYSICAL

CONDUCTOR SPACING ----- .100" (2.54mm) ϕ TO ϕ
 WIRE GAUGE ----- 24 AWG (1/24), SOLID TINNED
 INSULATION ----- PVC (MOLEX GRAY)
 EDGE MARK COLOR ----- RED

3.- AGENCY

U.L. STYLE ----- 2651
 TEMPERATURE RATING ----- -20 °C TO 105 °C
 VOLTAGE RATING ----- 300V. MAX.
 FLAMMABILITY RATING ----- VW-1

4.- SPECIAL REQUIREMENT

RoHS AND LEAD FREE COMPLIANT
 NO TEXT MARKING ON PCB

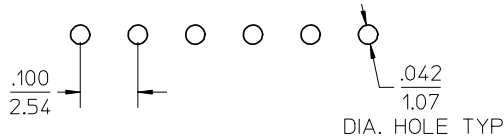
5.- GENERAL

NON-OPERATING TEMPERATURE ----- -20°C TO 105°C

6.- SOLDERING CONDITION

SOLDER TEMPERATURE ----- 260°C. MAX.
 SOLDERING TIME ----- 3 SECOND, MAX.
 INSULATION SHRINK ----- 2MM. NOM

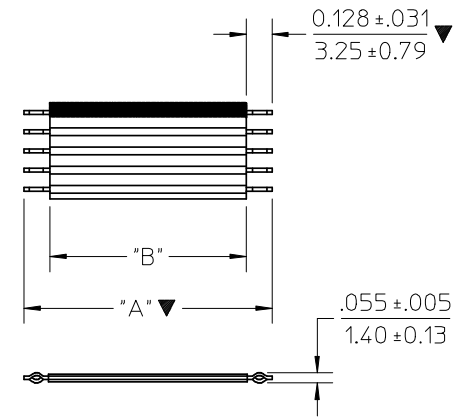
PCB HOLE LAYOUT
 RECOMENDED HOLE DIA. .042 IN.



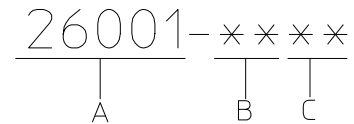
NOTES:

- 1.- ADD 0.020" TO QTY. OF CABLE.
- 2.- STRIP OF CABLE MUST BE 0.138" TO REMAIN 0.128" AFTER KINK ON EACH END.

STRIP & KINK



OVERALL LENGTH ("A") TOLERANCE FOR OAL +/- .100"
 INSULATION LENGTH ("B" REF.) DIMS "A" & "B" REFERS TO SHOWN IN MATRIX.



A = STD. KINKED JUMPER I.D. No
 B = CIRCUIT SIZE 3 THRU 10
 C = DENOTES LENGTH 1.000" TO 8.000"

| MATRIX FOR STANDARD KINKED JUMPER SERIES # 26001 (24545 CABLE) | | | | | | | | |
|--|------------|------------|------------|------------|------------|------------|------------|------------|
| LENGTH "A" ($\pm .100$ ") | 1.256" | 2.256" | 3.256" | 4.256" | 5.256" | 6.256" | 7.256" | 8.256" |
| LENGTH "B" (REF.) | 1.000" | 2.000" | 3.000" | 4.000" | 5.000" | 6.000" | 7.000" | 8.000" |
| CIRCUITS | | | | | | | | |
| 3 | 26001-0301 | 26001-0302 | 26001-0303 | 26001-0304 | 26001-0305 | 26001-0306 | 26001-0307 | 26001-0308 |
| 4 | 26001-0401 | 26001-0402 | 26001-0403 | 26001-0404 | 26001-0405 | 26001-0406 | 26001-0407 | 26001-0408 |
| 5 | 26001-0501 | 26001-0502 | 26001-0503 | 26001-0504 | 26001-0505 | 26001-0506 | 26001-0507 | 26001-0508 |
| 6 | 26001-0601 | 26001-0602 | 26001-0603 | 26001-0604 | 26001-0605 | 26001-0606 | 26001-0607 | 26001-0608 |
| 7 | 26001-0701 | 26001-0702 | 26001-0703 | 26001-0704 | 26001-0705 | 26001-0706 | 26001-0707 | 26001-0708 |
| 8 | 26001-0801 | 26001-0802 | 26001-0803 | 26001-0804 | 26001-0805 | 26001-0806 | 26001-0807 | 26001-0808 |
| 9 | 26001-0901 | 26001-0902 | 26001-0903 | 26001-0904 | 26001-0905 | 26001-0906 | 26001-0907 | 26001-0908 |
| 10 | 26001-1001 | 26001-1002 | 26001-1003 | 26001-1004 | 26001-1005 | 26001-1006 | 26001-1007 | 26001-1008 |

| | | | |
|--------------|--------------|---|----------|
| B | E-07-0793 | B ₁ : ADD GENERAL & SOLDERING CONDITION DATA | 07/12/07 |
| A | THL2006-0004 | NEW RELEASE | 06/06/01 |
| REV. HISTORY | EC NO. | DETAIL | DATE |

SEE CHANGE DETAIL
 EC NO: THL2008-0019
 DRWN: CPANSAKHOM 2007/12/07
 CHKD: NCHALERM 2007/12/11
 APPR: SVIRATJAPOL 2007/12/20

QUALITY SYMBOLS
 = 3
 = 0

GENERAL TOLERANCES (UNLESS SPECIFIED)

| | mm | INCH |
|--------------------|-----------|-----------|
| 4 PLACES | \pm --- | \pm --- |
| 3 PLACES | \pm --- | \pm --- |
| 2 PLACES | \pm --- | \pm --- |
| 1 PLACE | \pm --- | \pm --- |
| ANGULAR \pm ---° | | |

DRAFT WHERE APPLICABLE MUST REMAIN WITHIN DIMENSIONS

DIMENSION STYLE IN/MM

| | |
|--------------|------------|
| DRAWN BY | DATE |
| CPANSAKHOM | 2006/06/01 |
| CHECKED BY | DATE |
| PMEECHAI | 2006/06/01 |
| APPROVED BY | DATE |
| SVIRATJAPOL | 2006/06/01 |
| MATERIAL NO. | |
| SEE CHART | |

SIZE A 4 THIS DRAWING CONTAINS INFORMATION THAT IS PROPRIETARY TO MOLEX INCORPORATED AND SHOULD NOT BE USED WITHOUT WRITTEN PERMISSION

SCALE NTS DESIGN UNITS INCH THIRD ANGLE PROJECTION

TITLE STANDARD KINKED TAIL JMP .100" CTR PVC INSULATED 24 AWG SOLID TINNED

MOLEX MOLEX INCORPORATED

DOCUMENT NO. SD-26001-001 SHEET NO. 1 OF 1