

PLEASE CHECK WWW.MOLEX.COM FOR LATEST PART INFORMATION

Part Number: **0304902012**
Status: **Active**
Overview: [minifit_jr](#)
Description: Mini-Fit® Crimp Grounding Terminal, Series 30490, Male, with Tin (Sn) Plated Phosphor Bronze Contact, 18-24 AWG, Bag

Documents:

[Drawing \(PDF\)](#) [RoHS Certificate of Compliance \(PDF\)](#)

General

Product Family	Crimp Terminals
Series	30490
Comments	Grounding Pin
Crimp Quality Equipment	Yes
Overview	minifit_jr
Product Name	Mini-Fit®

Physical

Gender	Male
Material - Metal	Phosphor Bronze
Material - Plating Mating	Tin
Material - Plating Termination	Tin
Packaging Type	Bag
Plating min: Mating (µin)	100
Plating min: Mating (µm)	2.5
Termination Interface: Style	Crimp or Compression
Wire Insulation Diameter	1.30-3.10mm (.051-.122")
Wire Size AWG	18, 20, 22, 24
Wire Size mm²	N/A

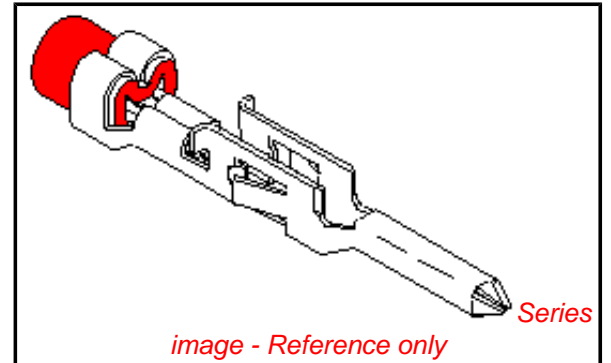
Electrical

Current - Maximum per Contact	9A
-------------------------------	----

Material Info

Reference - Drawing Numbers

Packaging Specification	PK-5556-003
Sales Drawing	SD-30490-***2



EU RoHS

ELV and RoHS Compliant
REACH SVHC Contains SVHC: No
Halogen-Free Status

China RoHS



Need more information on product environmental compliance?

Email productcompliance@molex.com
 For a multiple part number RoHS Certificate of Compliance, [click here](#)

Please visit the [Contact Us](#) section for any non-product compliance questions.

Search Parts in this Series

[30490Series](#)

Mates With

[5556 Series](#)

Use With

[5559s](#) , [30068](#) , [5559d](#)

Application Tooling | FAQ

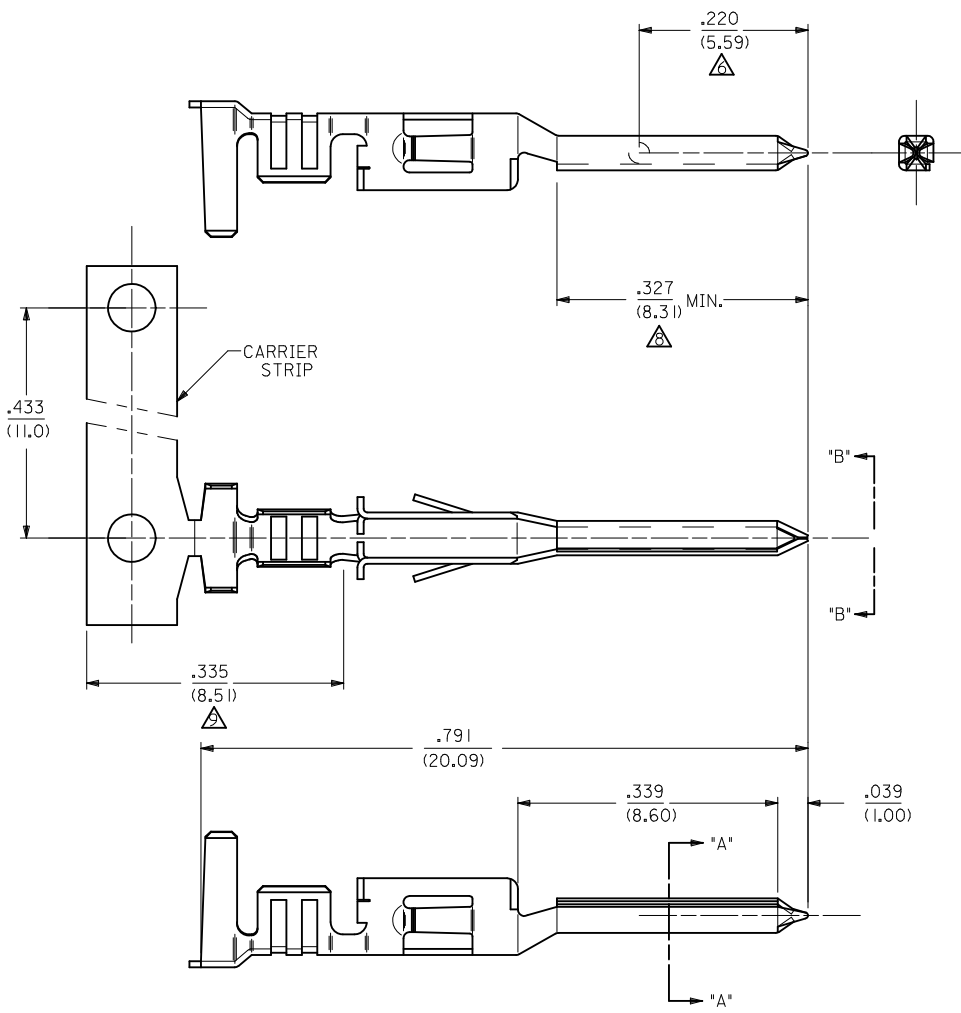
Tooling specifications and manuals are found by selecting the products below. Crimp Height Specifications are then contained in the Application Tooling Specification document.

Global

Description	Product #
Extraction Tool	0011030044
Hand Crimp Tool for Mini-Fit™ Jr. Male and Female Crimp Terminals, 16-24 AWG	0638190900

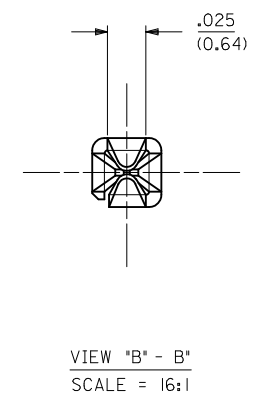
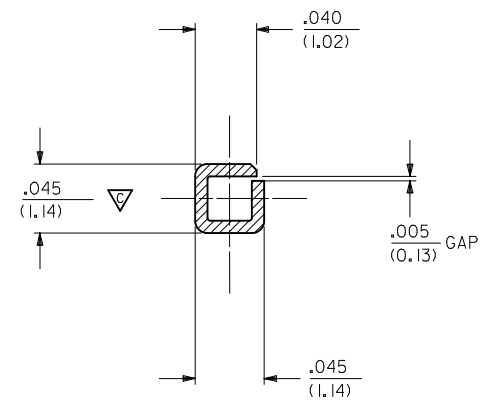
This document was generated on 06/01/2010

PLEASE CHECK WWW.MOLEX.COM FOR LATEST PART INFORMATION



NOTES:

- 1- MATERIAL: PHOSPHOR BRONZE ALLOY C52100
- 2- FINISH:
 - (A) - SELECTIVE GOLD PLATE .000030/(0.00076)MIN., AND SELECTIVE TIN .000100/(0.00254) OVER .000050/(0.00127) NICKEL OVERALL.
 - (B) - .000100/(0.00254) TIN OVER .000050/(0.00127) NICKEL.
- 3- PRODUCT SPECIFICATION: TBD.
- 4- PACKAGING INFORMATION: SEE SHEET 2 FOR CHAIN PK-555-003 FOR LOOSE TERMINALS
- 5-FOR USE WITH ASSEMBLY NO. A-30490-0001.
- ▲ -MEASURING POINT FOR PLATING THICKNESS.
- ▼ 7-TERMINAL CANNOT BE USED IN 42475 OR 43558 HOUSINGS.
- △ -GOLD PLATING AREA.
- △ -TIN PLATING AREA.



SECTION "A - A"
SCALE = 16:1

30490-9902	B	CHAIN	RIGHT TO LEFT (SEE SHT. 2)	4000	18-24
30490-9802	A	CHAIN	RIGHT TO LEFT (SEE SHT. 2)		
30490-2012	B	LOOSE	RIGHT TO LEFT (SEE SHT. 2)		
30490-2002	B	CHAIN	LEFT TO RIGHT (SEE SHT. 2)	4000	18-24
30490-1012	A	LOOSE	RIGHT TO LEFT (SEE SHT. 2)		
30490-1002	A	CHAIN	LEFT TO RIGHT (SEE SHT. 2)		
ITEM NO.	PLATING	FORM	UNREEL DIRECTION	QTY. PER REEL	WIRE GAGE REF.
AFTER PLATING					

MODIFIED NOTES EC NO: UCP2010-0471 DRWN: JAGUILAR 2009/12/23 CHKD: J BELL 2009/12/23 APPR: FSMITH 2009/12/28	QUALITY SYMBOLS ▼=1 △=1	GENERAL TOLERANCES (UNLESS SPECIFIED) <table border="1"> <tr> <th></th> <th>mm</th> <th>INCH</th> </tr> <tr> <td>4 PLACES ±</td> <td>---</td> <td>---</td> </tr> <tr> <td>3 PLACES ±</td> <td>---</td> <td>±.010</td> </tr> <tr> <td>2 PLACES ±</td> <td>0.25</td> <td>±.015</td> </tr> <tr> <td>1 PLACE ±</td> <td>0.38</td> <td>±---</td> </tr> </table> ANGULAR ± 5 °		mm	INCH	4 PLACES ±	---	---	3 PLACES ±	---	±.010	2 PLACES ±	0.25	±.015	1 PLACE ±	0.38	±---	DIMENSION STYLE IN/MM	SCALE 8:1	DESIGN UNITS INCH	THIRD ANGLE PROJECTION
		mm	INCH																		
4 PLACES ±	---	---																			
3 PLACES ±	---	±.010																			
2 PLACES ±	0.25	±.015																			
1 PLACE ±	0.38	±---																			
DRAWN BY BBW	DATE 92/ 1/22	CHECKED BY DATE	APPROVED BY DATE	MATERIAL NO. SEE CHART	DOCUMENT NO. SD-30490-***2	SHEET NO. 1 OF 2															

DRAFT WHERE APPLICABLE MUST REMAIN WITHIN DIMENSIONS

THIS DRAWING CONTAINS INFORMATION THAT IS PROPRIETARY TO MOLEX INCORPORATED AND SHOULD NOT BE USED WITHOUT WRITTEN PERMISSION

13

12

11

10

9

8

7

6

30490

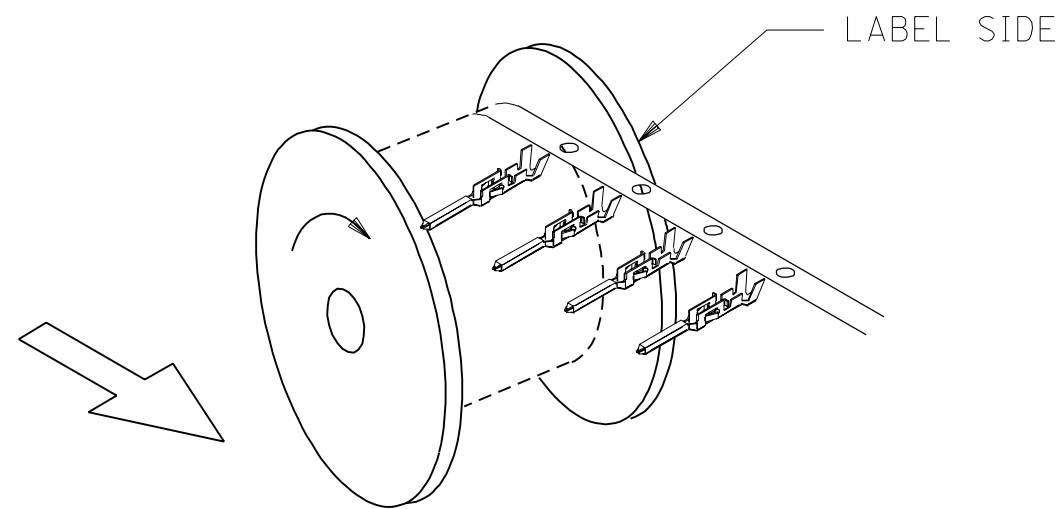
4

3

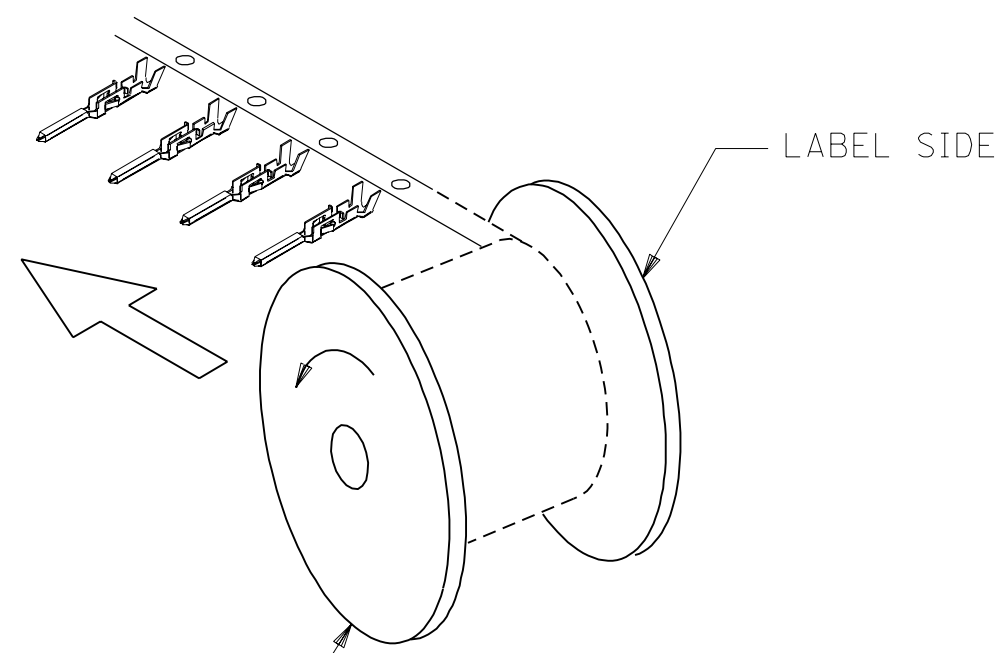
2

1

LEFT TO RIGHT
UNREELING



RIGHT TO LEFT
UNREELING



RED FLANGE NO. 70180-0659
 EDP NO. 85-06-0002
 FOR (RED) 3 REEL CARTON
 PART NO. 70180-0479
 EDP NO. 85-01-0479

THIS IS SPECIAL PACKAGING -
 ALL NON-AIRBAG CUSTOMERS
 WILL USE STANDARD PACKAGING

30490

C	SEE SHEET 1
	PDC 94/12/09

MFG.	SH.	REV.	LTR.	REVISIONS
------	-----	------	------	-----------

▽ = 0 ▼ = 0 REVISE ONLY ON CAD SYSTEM

DIMENSIONS SHOWN (METRIC) INCH
 UNLESS OTHERWISE SPECIFIED
 TOLERANCES: ANGULAR ± 1/2°

	INCH	METRIC
3 PLACE	± .005	---
2 PLACE	± .01	± 0.13
1 PLACE	---	± 0.25

DRAFT WHERE APPLICABLE MUST
 REMAIN WITHIN DIMENSIONS

TITLE
**CRIMP TERMINAL
 MINI-FIT STYLE**

MOLEX INCORPORATED SHEET NO. DATE
 LISLE, ILL. 60532 U.S.A. 2 92/1/22

PART NO. DRWG. NO.
30490-*2 SD-30490-***2**

DRWG. BY: BBW CHK'D. BY:
 APP'D. BY: SCALE: :

FILE NAME: ST304902.DGN THIS DRAWING CONTAINS INFORMATION THAT IS PROPRIETARY TO MOLEX INC. AND SHOULD NOT BE USED WITHOUT WRITTEN PERMISSION. DIV. A SIZE C

13

12

11

10

9

8

7

6

5

4

3

2

I NO P.S.