

PLEASE CHECK WWW.MOLEX.COM FOR LATEST PART INFORMATION

Part Number: [0357980490](#)
Status: **Active**
Description: 6.00mm (.236") Pitch Wire-to-Board Header, 1.78mm (.070") Tab, Vertical, White, 4 Circuits

Documents:

[3D Model](#) [Product Specification PS-35798-001 \(PDF\)](#)
[Drawing \(PDF\)](#) [RoHS Certificate of Compliance \(PDF\)](#)

General

Product Family	PCB Headers
Series	35798
Application	Wire-to-Board
Product Name	N/A

Physical

Breakaway	No
Circuits (Loaded)	4
Circuits (maximum)	4
Durability (mating cycles max)	30
First Mate / Last Break	No
Glow-Wire Compliant	No
Guide to Mating Part	No
Keying to Mating Part	None
Lock to Mating Part	Yes
Material - Plating Mating	Tin
Number of Rows	2
Orientation	Vertical
PC Tail Length (in)	0.130 In
PC Tail Length (mm)	3.30 mm
PCB Locator	Yes
PCB Retention	Yes
PCB Thickness Recommended (in)	0.062 In
PCB Thickness Recommended (mm)	1.60 mm
Packaging Type	Bag
Pitch - Mating Interface (in)	0.236 In
Pitch - Mating Interface (mm)	6.00 mm
Polarized to PCB	No
Shrouded	Partial
Stackable	No
Temperature Range - Operating	-40°C to +120°C
Termination Interface: Style	Through Hole

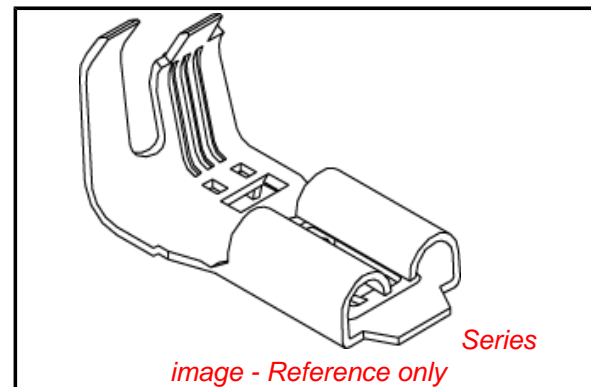
Electrical

Current - Maximum per Contact	15A
Voltage - Maximum	300V

Material Info

Reference - Drawing Numbers

Product Specification	PS-35798-001
Sales Drawing	SD-35798-003



EU RoHS

**ELV and RoHS
Compliant**
REACH SVHC
 Not Reviewed
**Halogen-Free
Status**
 Not Reviewed

China RoHS



**Need more information on product
environmental compliance?**

Email productcompliance@molex.com
 For a multiple part number RoHS Certificate of Compliance, [click here](#)

Please visit the [Contact Us](#) section for any non-product compliance questions.

Search Parts in this Series

[35798Series](#)

Mates With

[35799 Wire-to-Board Housing](#)

DWG. NO.
SD-35798-003

SIMILAR ITEM

PROJECT NO.

C

B

DO NOT SCALE DRAWING
DIMENSION IN METRIC

8 7 6 5 4 3 2 1

F

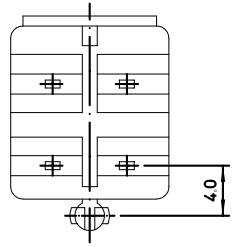
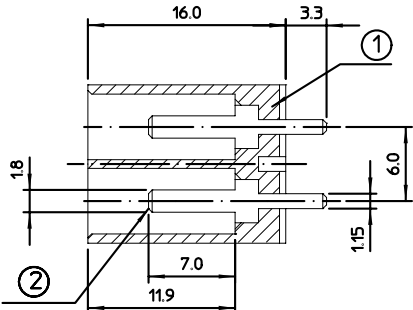
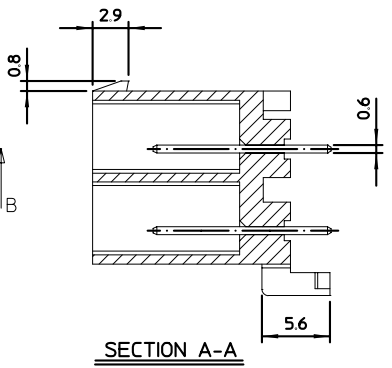
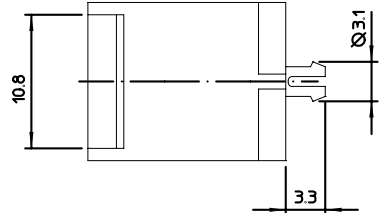
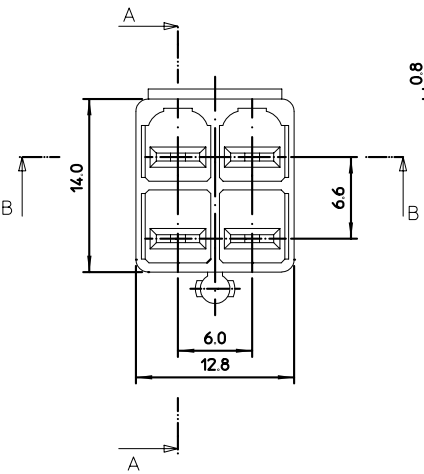
E

D

C

B

A



ASS'Y PART		
DESCRIPTION		MATERIAL
①	HEADER HOUSING-4P	POLYPROPYLENE (UL94V-0)
		NYLON66 (UL94V-2)
②	0.6THICKNESS TAB	BRASS PRE-TIN PALATING

TABLE2	MATERIAL NO.	ENG NO.	HEADER HOUSING	
			MATERIAL	COLOR
	357980410	35798-0410	NYLON66 (UL94V-2)	NATURAL
	357980490	35798-0490	POLYPROPYLENE (UL94V-0)	
	357980412	35798-0412	NYLON66 (UL94V-2)	RED
	357980492	35798-0492	POLYPROPYLENE (UL94V-0)	

NEW RELEASED ECN NO:KOR2001-0048 DRWN:CB.CHIN 01/05/16 CHK:K.K.CHOI APPR:W.LEE	QUALITY SYMBOLS MAJOR ∇ = 0 CRITICAL ∇ = 0	GENERAL TOLERANCES: (UNLESS SPECIFIED)		SCALE 2:1	DESIGN UNITS <input checked="" type="checkbox"/> mm <input type="checkbox"/> INCH	DIMENSIONS: <input type="checkbox"/> mm <input type="checkbox"/> INCH <input checked="" type="checkbox"/> mm ONLY	SHT REV		
		4 PLACES $\pm 0.$ $\pm.$	3 PLACES $\pm 0.$ $\pm.$	2 PLACES $\pm 0.$ $\pm.$	1 PLACE $\pm 0.$ $\pm.$	DRAWN BY & DATE C.B.CHIN 01/04/17	THIRD ANGLE PROJECTION		REVISE ON CAD ONLY
		ANGULAR: \pm $^{\circ}$				CHECKED BY & DATE B.K.CHOI 01/04/17	TITLE: .070 W/B HEADER ASS'Y-4P		
		DRAFT WHERE APPLICABLE MUST REMAIN WITHIN DIMENSIONS				APPROVED BY & DATE C.W.LEE 01/04/17	MOLEX INCORPORATED		
A	REV	CAD FILENAME S35798C.MI		MATERIAL NO. SEE TABLE2	DRAWING NO. SD-35798-003	SHEET NO. 1 OF 1			
THIS DRAWING CONTAINS INFORMATION THAT IS PROPRIETARY TO MOLEX INCORPORATED AND SHOULD NOT BE USED WITHOUT WRITTEN PERMISSION.						SIZE B	KOREA MX-A3		

8 7 6 5 4 3 2 1

KOREA MX-A3