

PLEASE CHECK WWW.MOLEX.COM FOR LATEST PART INFORMATION

Part Number: [0359550160](#)
Status: **Active**
Description: 6.35mm (.250") Tab Wire-to-Wire Receptacle Housing, Locking Latch, 1 Circuit

Documents:

[Drawing \(PDF\)](#) [RoHS Certificate of Compliance \(PDF\)](#)

General

Product Family	Crimp Housings
Series	35955
Product Name	N/A

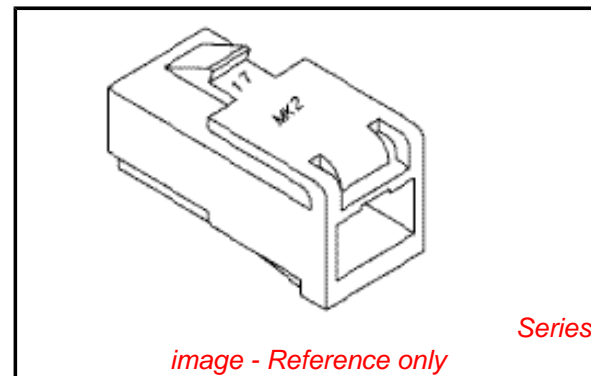
Physical

Circuits (maximum)	1
Color - Resin	Natural
Gender	Female
Glow-Wire Compliant	No
Lock to Mating Part	Yes
Material - Resin	Polyester Alloy
Number of Rows	1
Packaging Type	Bag
Panel Mount	No
Pitch - Mating Interface (in)	0.000 In
Pitch - Mating Interface (mm)	0.00 mm
Polarized to Mating Part	Yes
Stackable	No
Temperature Range - Operating	-40°C to +120°C

Material Info

Reference - Drawing Numbers

Packaging Specification	PK-35955-001
Sales Drawing	SD-35955-0160



EU RoHS

**ELV and RoHS
Compliant**

REACH SVHC

Not Reviewed

Halogen-Free

Status

Not Reviewed

**Need more information on product
environmental compliance?**

Email productcompliance@molex.com
 For a multiple part number RoHS Certificate of
 Compliance, [click here](#)

Please visit the [Contact Us](#) section for any
 non-product compliance questions.

China RoHS



Search Parts in this Series

[35955Series](#)

Mates With

[35955-0150](#)

Use With

[35725-36*0](#)|[35725-37*0](#)|[35725-38*0](#)

DO NOT SCALE DRAWING
DIMENSION IN METRIC

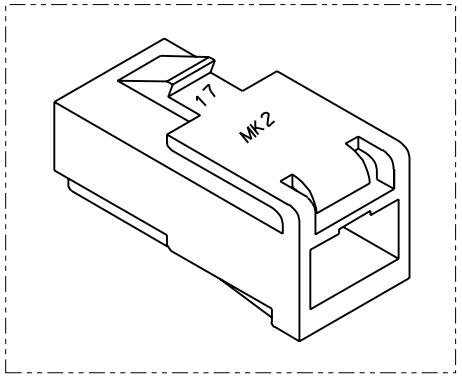
PROJECT NO.

SIMILAR ITEM

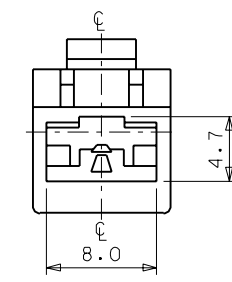
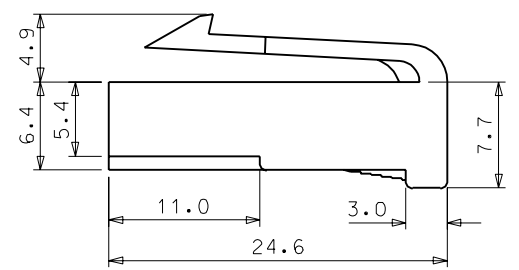
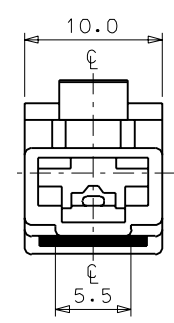
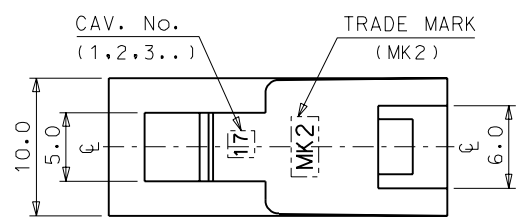
DWG. NO.
SD-35955-0160

8 7 6 5 4 3 2 1

F
E
D
C
B
A



- NOTES
1. MATERIAL : NYLON66 (UL94V-2)
 2. COLOR : NATURAL
 3. MATING HOUSING : 35955-0150
(.250 PLUG HOUSING-1P)
 4. APPLICABLE TERMINAL : 35725-36*0
35725-37*0
35725-38*0



NEW RELEASED EC NO. KOR1999-0093 DRW: J.S.KANG 99/08/16 CHK: B.K.CHOI APPR: C.W.LEE	DESCRIPTION MAJOR CRITICAL C	QUALITY SYMBOLS		GENERAL TOLERANCES: (UNLESS SPECIFIED)		SCALE 3/1	DESIGN UNITS <input type="checkbox"/> mm <input type="checkbox"/> INCH	THIRD ANGLE PROJECTION	DIMENSIONS: <input type="checkbox"/> mm <input type="checkbox"/> INCH <input type="checkbox"/> mm ONLY		SHT	REV
		4 PLACES ±0.	±.	DRAWN BY & DATE J.S.KANG 99/08/16	TITLE: .250 RECEPTACLE HOUSING-1P				REVISE ON CAD ONLY			
		3 PLACES ±0.	±.	CHECKED BY & DATE B.K.CHOI	APPROVED BY & DATE C.W.LEE				MOLEX INCORPORATED KOREA			
		2 PLACES ±0.	±.	ANGULAR: ± °		CAD FILENAME S9550160.DGN	MATERIAL NO. SEE NOTE	DRAWING NO. SD-35955-0160	SHEET NO. 1 of 1	SIZE B		
1 PLACE ±0.	±.	DRAFT WHERE APPLICABLE MUST REMAIN WITHIN DIMENSIONS		THIS DRAWING CONTAINS INFORMATION THAT IS PROPRIETARY TO MOLEX INCORPORATED AND SHOULD NOT BE USED WITHOUT WRITTEN PERMISSION.								

8 7 6 5 4 3 2 1