

PLEASE CHECK WWW.MOLEX.COM FOR LATEST PART INFORMATION

Part Number: [0395250003](#)
Status: **Active**
Description: 5.00mm (.197") Pitch Eurostyle™ Vertical PCB Header, with Threaded Retention Inserts, 3 Circuits

Documents:

[3D Model](#) [Product Specification PS-39500-001 \(PDF\)](#)
[Drawing \(PDF\)](#) [RoHS Certificate of Compliance \(PDF\)](#)

General

Product Family	Terminal Blocks
Series	39525
Application	Wire-to-Board
Component Type	PCB Header
Product Literature Order No	USA-355
Product Name	ESE, Eurostyle™ Pluggable
Type	Euro Block

Physical

Circuits (Loaded)	3
Entry Angle	N/A
Lock to Mating Part	Yes
Number of Rows	1
Orientation	Vertical
PC Tail Length (in)	0.154 In
PC Tail Length (mm)	3.90 mm
PCB Thickness Recommended (in)	0.125 In
PCB Thickness Recommended (mm)	3.20 mm
Panel Mount	No
Pitch - Mating Interface (in)	0.197 In
Pitch - Mating Interface (mm)	5.00 mm
Polarized to Mating Part	Yes
Shrouded	Closed Ends
Stackable	No
Surface Mount Compatible (SMC)	N/A
Temperature Range - Operating	-40°C to +105°C
Wire Size AWG	N/A

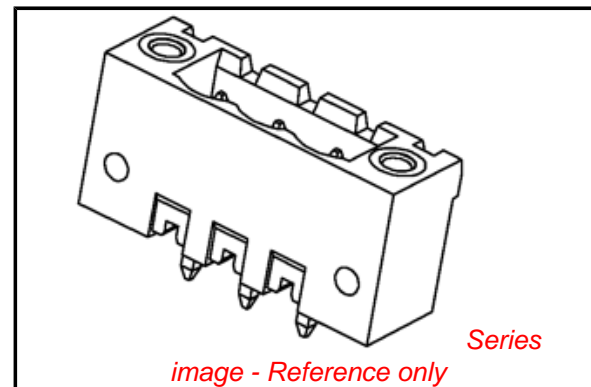
Electrical

Current - Maximum per Contact	15A
Voltage - Maximum	300V

Material Info

Reference - Drawing Numbers

Product Specification	PS-39500-001
Sales Drawing	SD-39501-002, SD-39525-002



EU RoHS

ELV and RoHS Compliant
REACH SVHC
 Not Reviewed
Halogen-Free Status
 Not Reviewed

China RoHS



Need more information on product environmental compliance?

Email productcompliance@molex.com
 For a multiple part number RoHS Certificate of Compliance, [click here](#)

Please visit the [Contact Us](#) section for any non-product compliance questions.

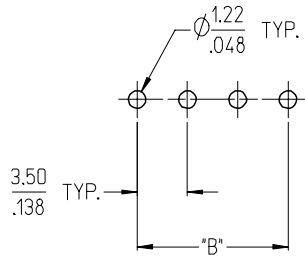
Search Parts in this Series

[39525Series](#)

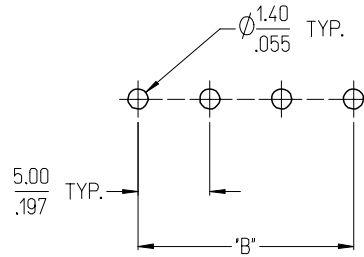
Mates With

Most 5.00mm (.197") Pitch Industry Standard Plugs, [39524](#) Horizontal Plug with Retention Screws, [39527](#) Vertical Plug with Retention Screws

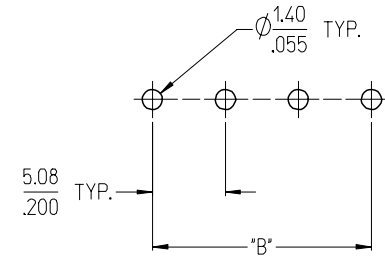
3950X SERIES
3.50mm HEADERS



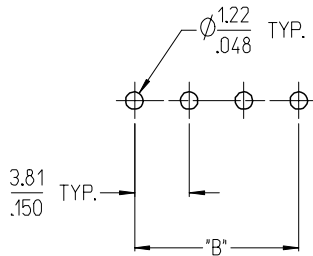
3952X & 3954X SERIES
5.00mm HEADERS
5.00mm 10 AMP FIXED



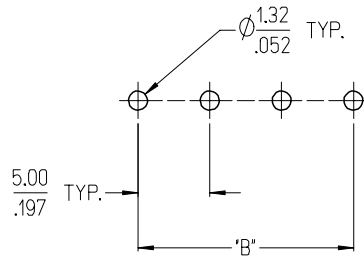
3953X SERIES
5.08mm HEADERS



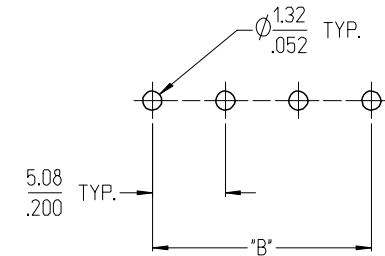
3951X SERIES
3.81mm HEADERS



3954X SERIES
5.00mm 15 AMP FIXED



3954X SERIES
5.08mm 15 AMP FIXED



NOTES:

- REFER TO INDIVIDUAL PRODUCT SALES DRAWINGS FOR "B" DIMENSION.
- DOES NOT APPLY TO DUAL LEVEL HEADERS, SERIES 39528 AND 39538.
- TYP. = TYPICAL.

INITIAL RELEASE
EC NO: ETC2007-0096
DRWN: CLYORK 2006/10/02
CHKD: JMACNEIL 2006/10/04
APPR: JMACNEIL 2006/10/04

QUALITY SYMBOLS
 =0
 =0

GENERAL TOLERANCES (UNLESS SPECIFIED)	
	mm
4 PLACES	± .005
3 PLACES	± .005
2 PLACES	± 0.13
1 PLACE	± 0.3
ANGULAR ± 2 °	

DRAFT WHERE APPLICABLE
MUST REMAIN WITHIN DIMENSIONS

DIMENSION STYLE	
MM/IN	
DRAWN BY	DATE
C. YORK	2006/08/25
CHECKED BY	DATE
J. MACNEIL	2006/08/25
APPROVED BY	DATE
J. MACNEIL	2006/08/25
MATERIAL NO.	
--	

SCALE	DESIGN UNITS	THIRD ANGLE PROJECTION
3:1	INCH	
TITLE		
RECOMMENDED PCB LAYOUT FOR ESE TERMINAL BLOCKS		
APPROVED BY		
J. MACNEIL		
DATE		
2006/08/25		
MATERIAL NO.		
--		
DOCUMENT NO.		
SD-39501-002		
SHEET NO.		
1 OF 1		

10 9 8 7 6 5 4 3 2 1

F

E

D

C

B

A

F

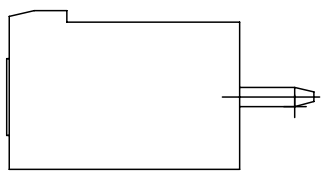
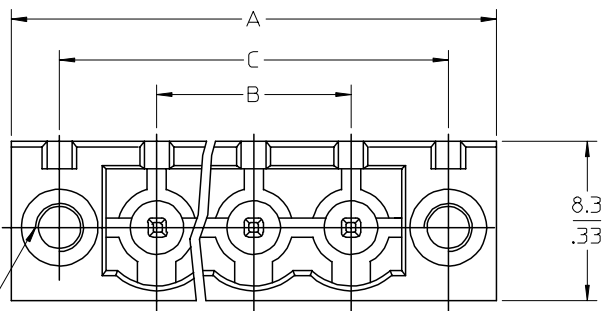
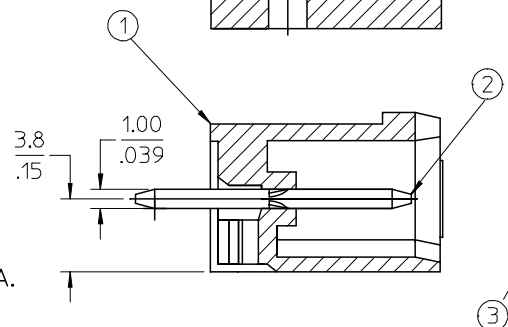
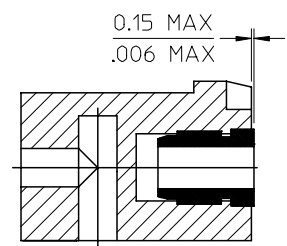
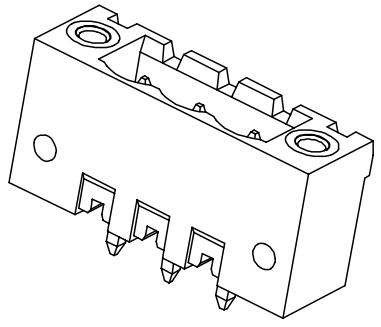
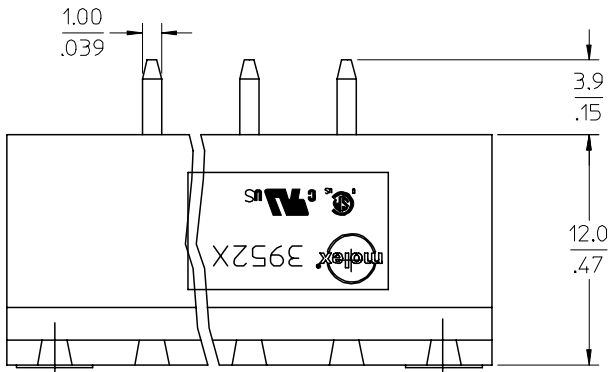
E

D

C

B

A



SPECIFICATIONS:

- 1. Material:
 - (1). Body: PA66
 - (2). Pin: Brass
 - (3). Threaded insert: Brass
- 2. Wire range: N/A
- 3. Electrical rating: 300V, 15A.
- 4. Wire strip length: N/A
- 5. Operating temperature: -40C to +105C.
- 6. Max torque: N/A
- 7. Insulation resistance: DC 500V, 500M.
- 8. Dielectric withstand: AC 2500V for 1 minute.
- 9. Breakdown voltage: 4000V.
- 10. $A = (B + 15.0\text{mm})$
- 11. $B = (N - 1) \times P$
- 13. $C = (B + 10\text{mm})$
- 12. P (PITCH) = 5.0mm (.197").
- 13. N = Number of positions available 2 through 24.

ENTER DESCRIPTION EC NO: NEO2006-0310 DRWN: LROTHAUS 2006/01/09 CHKD: CYORK 2006/01/09 APPR: JPAMLIK 2006/01/10	QUALITY SYMBOLS ▽=0 ▽=0	GENERAL TOLERANCES (UNLESS SPECIFIED)		DIMENSION STYLE MM/IN		SCALE 4:1	DESIGN UNITS INCH	THIRD ANGLE PROJECTION	
			mm	INCH	DRAWN BY LROTHAUS	DATE 12/6/05	TITLE 5.0MM, EURO HEADER, VERTICAL, MOUNTING		
		4 PLACES	± ---	± .0015	CHECKED BY C. YORK	DATE 01/06/06			
		3 PLACES	± 0.038	± .005	APPROVED BY	DATE	MOLEX INCORPORATED		
2 PLACES	± 0.13	± .01	MATERIAL NO. SEE CHART		DOCUMENT NO. SD-39525-002		SHEET NO. 1 OF 1		
1 PLACE	± 0.3	± ---	DRAFT WHERE APPLICABLE MUST REMAIN WITHIN DIMENSIONS		THIS DRAWING CONTAINS INFORMATION THAT IS PROPRIETARY TO MOLEX INCORPORATED AND SHOULD NOT BE USED WITHOUT WRITTEN PERMISSION				
ANGULAR ± 2 °									

9 8 7 6 5 4 3 2 1

Description	Circuit size	Material Numbers											Dimensional Information								
		Black						Green					Dim. A			Dim B			Dim. C		
		100% Tin			30 u" Gold			100% Tin			30 u" Gold										
		Printing Options			Printing Options			Printing Options			Printing Options		mm	inch	mm	inch	mm	inch			
5.0mm, Euro Header, Vertical, Mounting Ends	2	395250002	395250302	395250402	395250602	395250802	395250902	395250002	395250302	395250402	395250502	395250602	395250702	395250802	20.00	0.787	5.00	0.197	15.00	0.591	
5.0mm, Euro Header, Vertical, Mounting Ends	3	395250003	395250303	395250403	395250603	395250803	395250903	395250003	395250303	395250403	395250503	395250603	395250703	395250803	25.00	0.984	10.00	0.394	20.00	0.787	
5.0mm, Euro Header, Vertical, Mounting Ends	4	395250004	395250304	395250404	395250604	395250804	395250904	395250004	395250304	395250404	395250504	395250604	395250704	395250804	30.00	1.181	15.00	0.591	25.00	0.984	
5.0mm, Euro Header, Vertical, Mounting Ends	5	395250005	395250305	395250405	395250605	395250805	395250905	395250005	395250305	395250405	395250505	395250605	395250705	395250805	35.00	1.378	20.00	0.787	30.00	1.181	
5.0mm, Euro Header, Vertical, Mounting Ends	6	395250006	395250306	395250406	395250606	395250806	395250906	395250006	395250306	395250406	395250506	395250606	395250706	395250806	40.00	1.575	25.00	0.984	35.00	1.378	
5.0mm, Euro Header, Vertical, Mounting Ends	7	395250007	395250307	395250407	395250607	395250807	395250907	395250007	395250307	395250407	395250507	395250607	395250707	395250807	45.00	1.772	30.00	1.181	40.00	1.575	
5.0mm, Euro Header, Vertical, Mounting Ends	8	395250008	395250308	395250408	395250608	395250808	395250908	395250008	395250308	395250408	395250508	395250608	395250708	395250808	50.00	1.969	35.00	1.378	45.00	1.772	
5.0mm, Euro Header, Vertical, Mounting Ends	9	395250009	395250309	395250409	395250609	395250809	395250909	395250009	395250309	395250409	395250509	395250609	395250709	395250809	55.00	2.166	40.00	1.575	50.00	1.969	
5.0mm, Euro Header, Vertical, Mounting Ends	10	395250010	395250310	395250410	395250610	395250810	395250910	395250010	395250310	395250410	395250510	395250610	395250710	395250810	60.00	2.362	45.00	1.772	55.00	2.166	
5.0mm, Euro Header, Vertical, Mounting Ends	11	395250011	395250311	395250411	395250611	395250811	395250911	395250011	395250311	395250411	395250511	395250611	395250711	395250811	65.00	2.559	50.00	1.969	60.00	2.362	
5.0mm, Euro Header, Vertical, Mounting Ends	12	395250012	395250312	395250412	395250612	395250812	395250912	395250012	395250312	395250412	395250512	395250612	395250712	395250812	70.00	2.756	55.00	2.166	65.00	2.559	
5.0mm, Euro Header, Vertical, Mounting Ends	13	395250013	395250313	395250413	395250613	395250813	395250913	395250013	395250313	395250413	395250513	395250613	395250713	395250813	75.00	2.953	60.00	2.362	70.00	2.756	
5.0mm, Euro Header, Vertical, Mounting Ends	14	395250014	395250314	395250414	395250614	395250814	395250914	395250014	395250314	395250414	395250514	395250614	395250714	395250814	80.00	3.150	65.00	2.559	75.00	2.953	
5.0mm, Euro Header, Vertical, Mounting Ends	15	395250015	395250315	395250415	395250615	395250815	395250915	395250015	395250315	395250415	395250515	395250615	395250715	395250815	85.00	3.346	70.00	2.756	80.00	3.150	
5.0mm, Euro Header, Vertical, Mounting Ends	16	395250016	395250316	395250416	395250616	395250816	395250916	395250016	395250316	395250416	395250516	395250616	395250716	395250816	90.00	3.543	75.00	2.953	85.00	3.346	
5.0mm, Euro Header, Vertical, Mounting Ends	17	395250017	395250317	395250417	395250617	395250817	395250917	395250017	395250317	395250417	395250517	395250617	395250717	395250817	95.00	3.740	80.00	3.150	90.00	3.543	
5.0mm, Euro Header, Vertical, Mounting Ends	18	395250018	395250318	395250418	395250618	395250818	395250918	395250018	395250318	395250418	395250518	395250618	395250718	395250818	100.00	3.937	85.00	3.346	95.00	3.740	
5.0mm, Euro Header, Vertical, Mounting Ends	19	395250019	395250319	395250419	395250619	395250819	395250919	395250019	395250319	395250419	395250519	395250619	395250719	395250819	105.00	4.134	90.00	3.543	100.00	3.937	
5.0mm, Euro Header, Vertical, Mounting Ends	20	395250020	395250320	395250420	395250620	395250820	395250920	395250020	395250320	395250420	395250520	395250620	395250720	395250820	110.00	4.331	95.00	3.740	105.00	4.134	
5.0mm, Euro Header, Vertical, Mounting Ends	21	395250021	395250321	395250421	395250621	395250821	395250921	395250021	395250321	395250421	395250521	395250621	395250721	395250821	115.00	4.528	100.00	3.937	110.00	4.331	
5.0mm, Euro Header, Vertical, Mounting Ends	22	395250022	395250322	395250422	395250622	395250822	395250922	395250022	395250322	395250422	395250522	395250622	395250722	395250822	120.00	4.724	105.00	4.134	115.00	4.528	
5.0mm, Euro Header, Vertical, Mounting Ends	23	395250023	395250323	395250423	395250623	395250823	395250923	395250023	395250323	395250423	395250523	395250623	395250723	395250823	125.00	4.921	110.00	4.331	120.00	4.724	
5.0mm, Euro Header, Vertical, Mounting Ends	24	395250024	395250324	395250424	395250624	395250824	395250924	395250024	395250324	395250424	395250524	395250624	395250724	395250824	130.00	5.118	115.00	4.528	125.00	4.921	

SEE SHEET 1 EC NO: NEC2006-0310 DRWNL: LROTHAUS 2006/01/09 CHKDC: CYORK 2006/01/09 APPR: J.P.A.M.L.I.C.K 2006/01/10	QUALITY SYMBOLS ▽=0 ▽=0	GENERAL TOLERANCES (UNLESS SPECIFIED) mm INCH 4 PLACES ± --- ±.0015 3 PLACES ± 0.038 ±.005 2 PLACES ± 0.13 ±.01 1 PLACE ± 0.3 ± ---	DIMENSION STYLE MM/IN DRAWN BY DATE LROTHAUS 12/6/05 CHECKED BY DATE C. YORK 01/04/06 APPROVED BY DATE	SCALE 4:1 DESIGN UNITS INCH THIRD ANGLE PROJECTION
	MATERIAL NO. SEE CHART	DOCUMENT NO. SD-39525-002	SHEET NO. 2 OF 2	
	DRAFT WHERE APPLICABLE MUST REMAIN WITHIN DIMENSIONS			MOLEX INCORPORATED
	THIS DRAWING CONTAINS INFORMATION THAT IS PROPRIETARY TO MOLEX INCORPORATED AND SHOULD NOT BE USED WITHOUT WRITTEN PERMISSION			