

PLEASE CHECK WWW.MOLEX.COM FOR LATEST PART INFORMATION

Part Number: [0490141010](#)
Status: **Active**
Description: 1.02/2.28mm (.040/.090") Tab, Hybrid Wire-to-Wire Housing, Female, 10 Circuits

Documents:

[Drawing \(PDF\)](#) [RoHS Certificate of Compliance \(PDF\)](#)
[Product Specification PS-49014-001 \(PDF\)](#)

General

Product Family	Crimp Housings
Series	49014
Product Name	N/A

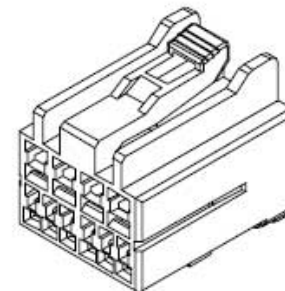
Physical

Circuits (maximum)	10
Color - Resin	Natural, Yellow
Gender	Female
Glow-Wire Compliant	No
Lock to Mating Part	Yes
Material - Resin	Polyester
Number of Rows	2
Packaging Type	Bag
Panel Mount	Yes
Pitch - Mating Interface (in)	0.098 In
Pitch - Mating Interface (mm)	2.50 mm
Stackable	No
Temperature Range - Operating	-40°C to +80°C

Material Info

Reference - Drawing Numbers

Product Specification	PS-49014-001
Sales Drawing	SD-49014-001



Series
image - Reference only

EU RoHS

ELV and RoHS
Compliant
REACH SVHC
 Not Reviewed
Halogen-Free
Status

China RoHS



Need more information on product environmental compliance?

Email productcompliance@molex.com
 For a multiple part number RoHS Certificate of Compliance, [click here](#)

Please visit the [Contact Us](#) section for any non-product compliance questions.

Search Parts in this Series

[49014Series](#)

Mates With

[35897](#)

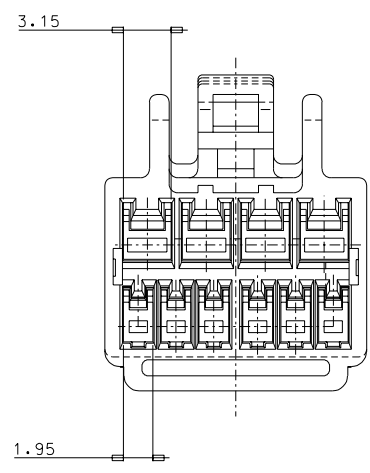
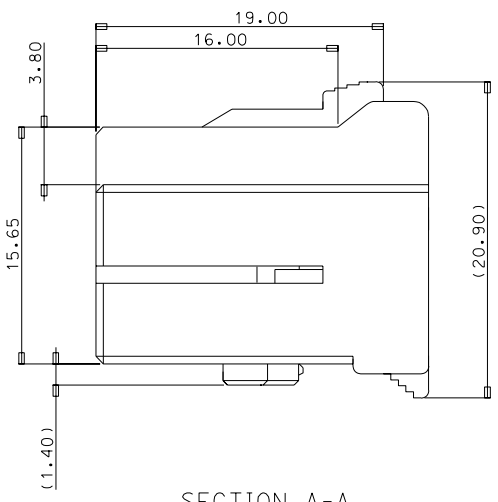
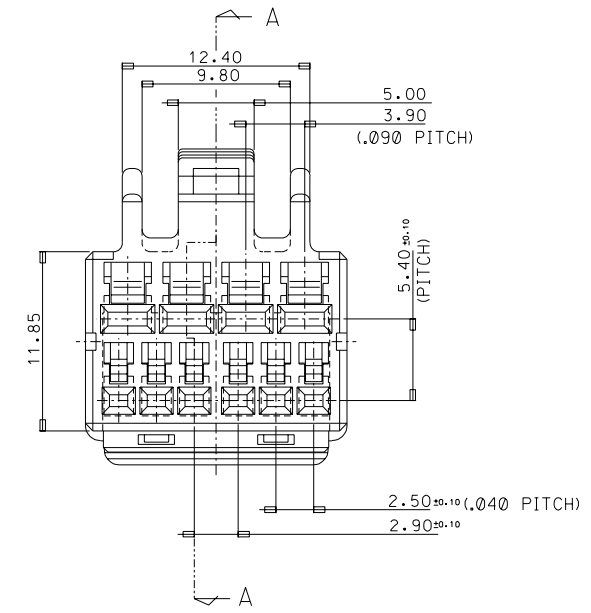
Use With

[50654](#) , [50660](#)

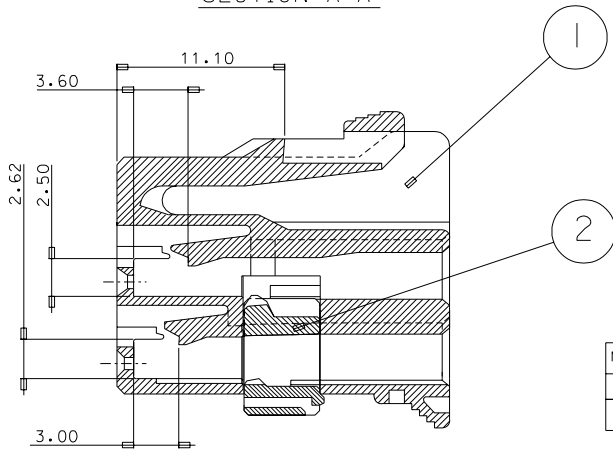
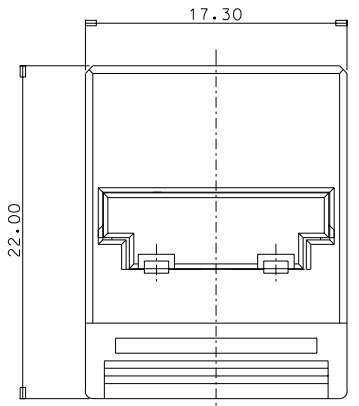
PLEASE CHECK WWW.MOLEX.COM FOR LATEST PART INFORMATION

DO NOT SCALE DRAWING
DIMENSION IN METRIC

DWG. NO. SD-49014-001
SIMILAR ITEM
PROJECT NO.
C
B



SECTION A-A



NOTE
1. MATERIAL & FINISH: SEE TABLE
2. MATING CONNECTOR : 49016-1010
3. APPLICATION TERMINAL : 35421-6*02(090)
50654-100(040)

NO.	PART NO.	PART NAME	MATERIAL	REMARK
1	49014-1090	.040/090 F/HSG 10P	POLYESTER	WHITE
2	49015-1083	.040/090 FEMALE TPA 10P	POLYESTER	YELLOW

490141010	49014-1010
MATERIAL NO.	ENG. NO.

NEW RELEASE	EC NO.: KOR2004-00040	DRWNS: M.KIM 03/11/10	CHK: B.C.YOON 03/11/10	APPR: C.W.LEE
DESCRIPTION	MAJOR CRITICAL			
REV	A			

QUALITY SYMBOLS	GENERAL TOLERANCES: (UNLESS SPECIFIED)	SCALE 3:1	DESIGN UNITS <input checked="" type="checkbox"/> mm <input type="checkbox"/> INCH	THIRD ANGLE PROJECTION <input checked="" type="checkbox"/> THIRD ANGLE
MAJOR	mm INCH	DRAWN BY & DATE	TITLE:	
CRITICAL	4 PLACES ±0. INCH	2003/02/13 H.C.RHO	.040/090 FEMALE HOUSING ASS'Y 10P	
	3 PLACES ±0. INCH	CHECKED BY & DATE	MOLEX MOLEX INCORPORATED	
	2 PLACES ±0.3 INCH	2003/02/13 H.C.RHO	MATERIAL NO. SEE TABLE	
	1 PLACE ±0.2 INCH	APPROVED BY & DATE	DRAWING NO. SD-49014-001	
	ANGULAR: ± 1 °	2003/02/13 C.W.LEE	SHEET NO. 1 OF 1	
	DRAFT WHERE APPLICABLE MUST REMAIN WITHIN DIMENSIONS	CAD FILENAME SD49014.DGN	THIS DRAWING CONTAINS INFORMATION THAT IS PROPRIETARY TO MOLEX INCORPORATED AND SHOULD NOT BE USED WITHOUT WRITTEN PERMISSION.	