

PLEASE CHECK WWW.MOLEX.COM FOR LATEST PART INFORMATION

Part Number: [0494481411](#)
Status: **Active**
Description: 1.10mm (.043")/1.27mm (.050") Pitch microSD/SIM Card Combo Connector, 8-Pin microSD, Reverse Mount with Detect Switch, and 6-Pin SIM, Normal Mount

Documents:

[Drawing \(PDF\)](#) [RoHS Certificate of Compliance \(PDF\)](#)
[Product Specification PS-49448-002 \(PDF\)](#)

General

Product Family	Memory Card Sockets
Series	49448
Button Type	Push-Pull, Push-Push
Comments	microSD Card 8 Circuits, SIM Card 6 Circuits, Switch 2 Circuits
Component Type	Card Holder (Host)
Product Name	Combo, microSD Card, SIM
Type	N/A

Physical

Card Detection Switch	Open
Circuits (Loaded)	16
Durability (mating cycles max)	10,000
Ejector Button Side	No Ejector Button Present
Entry Angle	Horizontal
Keying to Mating Part	Yes
Material - Metal	Copper, Phosphor Bronze, Stainless Steel
Material - Plating Mating	Gold
Material - Plating Termination	Gold
PC Tail Length (in)	0.039 In, 0.043 In
PC Tail Length (mm)	1.00 mm, 1.10 mm
PCB Locator	No
PCB Mounting Side	Normal
PCB Retention	None
Packaging Type	Embossed Tape on Reel
Pitch - Mating Interface (in)	0.043 In, 0.050 In
Pitch - Mating Interface (mm)	1.10 mm, 1.27 mm
Ports	2
Temperature Range - Operating	-25°C to +85°C

Electrical

Current - Maximum per Contact	0.5A
Shielded	Yes
Voltage - Maximum	5V

Material Info

Reference - Drawing Numbers

Packaging Specification	PK-49448-001
Product Specification	PS-49448-002, RPS-49448-002
Sales Drawing	SD-49448-004

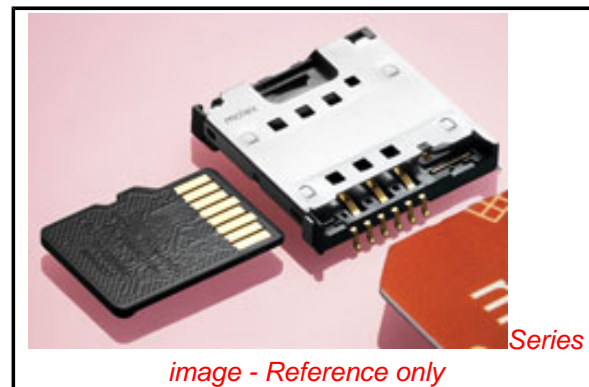


image - Reference only

EU RoHS

**ELV and RoHS
Compliant**
REACH SVHC
 Not Reviewed
**Halogen-Free
Status**
 Not Reviewed

China RoHS



**Need more information on product
environmental compliance?**

Email productcompliance@molex.com
 For a multiple part number RoHS Certificate of Compliance, [click here](#)

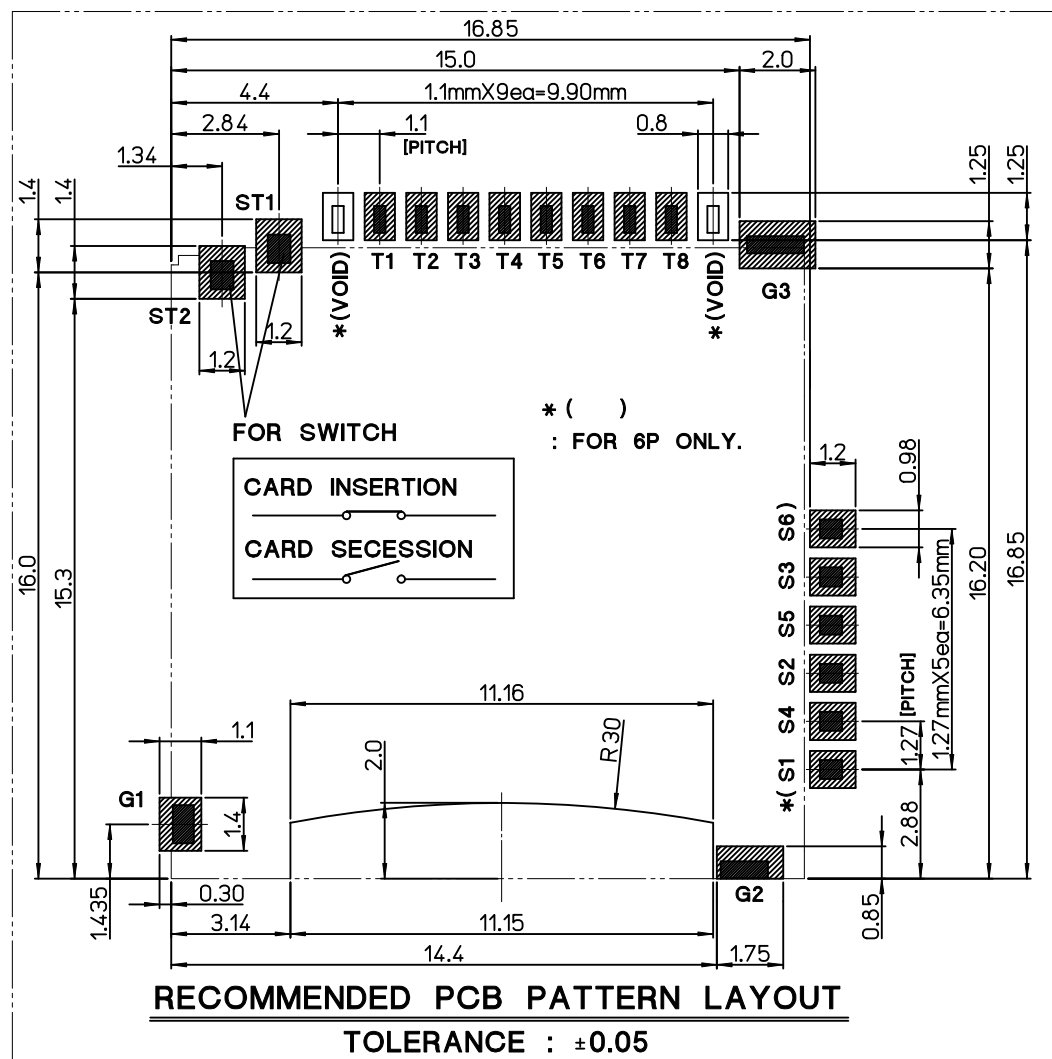
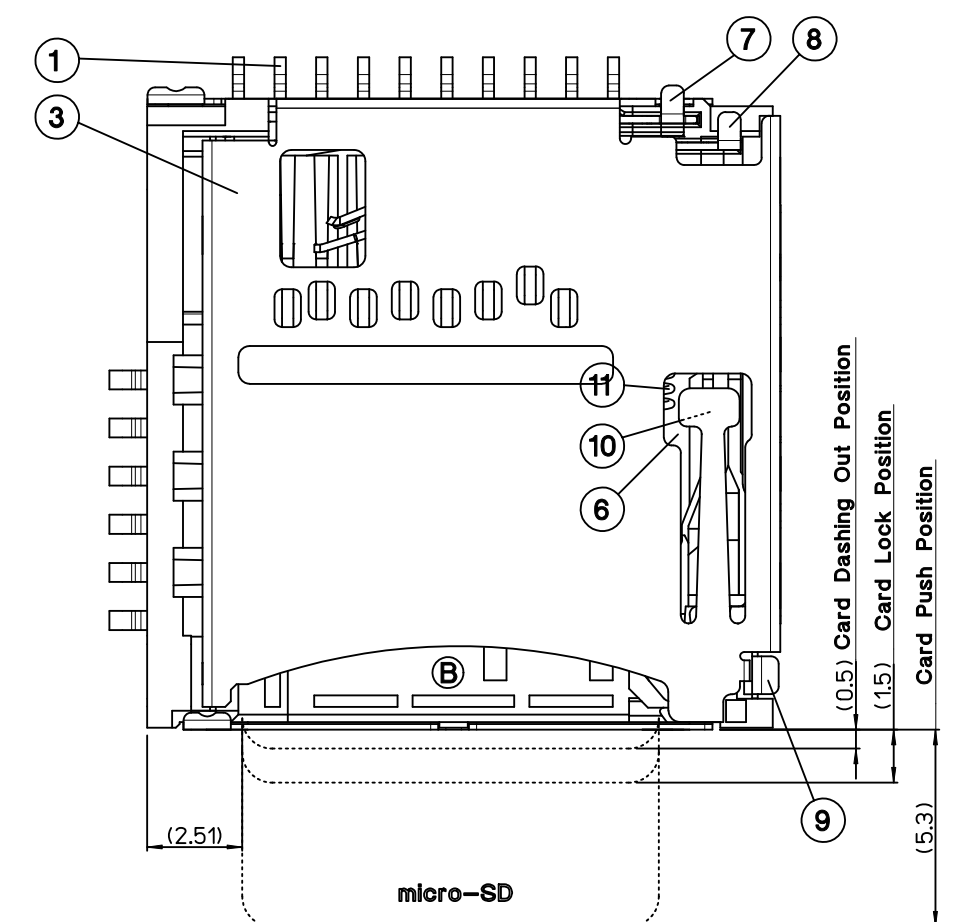
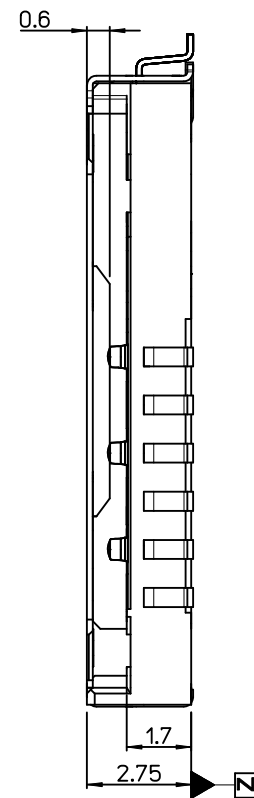
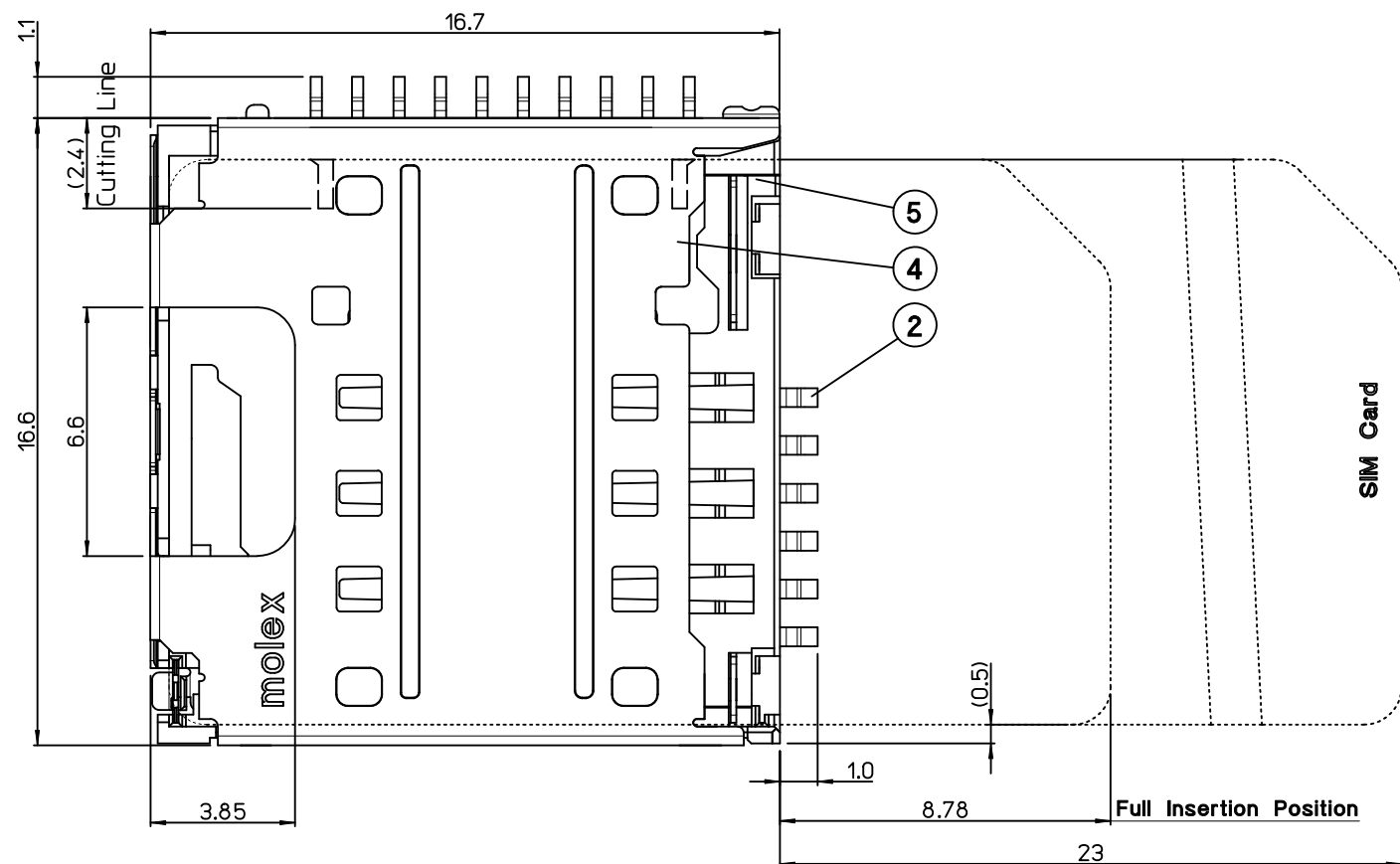
Please visit the [Contact Us](#) section for any non-product compliance questions.

Search Parts in this Series

[49448Series](#)

Mates With

microSD Card, SIM Card

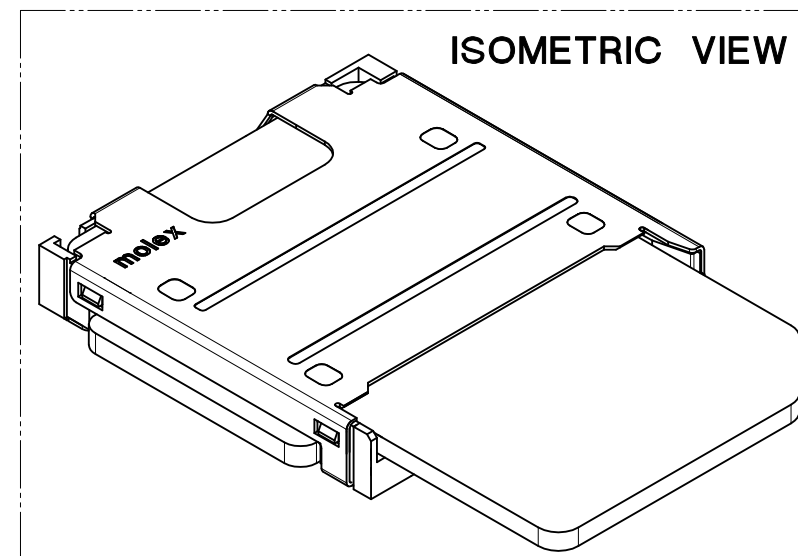


NOTES

1. MATERIALS: SEE TABLE 2
2. FINISHES: SEE TABLE 2
3. PRODUCT SPECIFICATION : RPS-49448-001
4. COPLANARITY OF SOLDER TAILS : 0.1mm MAX.
MISALIGNMENT OF SOLDER TAIL FROM "Z"
UPPER DIRECTION 0.05 MAX., LOWER DIRECTION 0.1MAX.
5. PACKAGING SPECIFICATION : PK-49448-001

*** TABLE 1**

8P/6P	494481411	49448-1411
	MATERIAL NO.	ENGINEERING NO.



REVISED EC NO: KOR2010-0043 DRWN: SUNGHYUK JOO 2009/12/24 CHKD: YSOOKIM 2009/12/28 APPR: YUNS IKKIM 2009/12/29	QUALITY SYMBOLS ▽=0 ▽=0	GENERAL TOLERANCES (UNLESS SPECIFIED)		DIMENSION STYLE MM ONLY		SCALE 5:1	DESIGN UNITS METRIC	THIRD ANGLE PROJECTION		
		4 PLACES ± --- ± ---	mm INCH	DRAWN BY IYOU	DATE 2009/06/01	TITLE M-SD/SIM COMBO SOCKET FOR 8P/6P				
		3 PLACES ± --- ± ---		CHECKED BY SHCHU	DATE 2009/06/01	MOLEX INCORPORATED				
		2 PLACES ± 0.1 ± ---		APPROVED BY YSOOKIM	DATE 2009/06/01	MATERIAL NO. SEE TABLE		DOCUMENT NO. SD-49448-004	SHEET NO. 1 OF 3	
DRAFT WHERE APPLICABLE MUST REMAIN WITHIN DIMENSIONS		ANGULAR ± 1 °		SIZE A3		THIS DRAWING CONTAINS INFORMATION THAT IS PROPRIETARY TO MOLEX INCORPORATED AND SHOULD NOT BE USED WITHOUT WRITTEN PERMISSION				

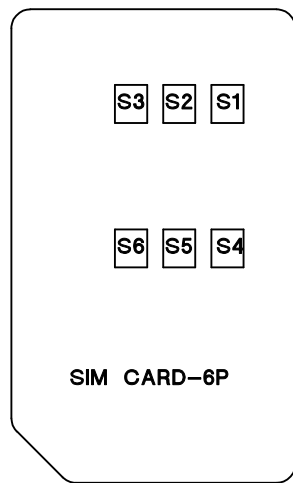
* TABLE 2 : PARTS-LIST

NO.	DESCRIPTION	ENGINEERING NO.	MATERIALS	FINISHES
1	mSD-CONTACT TERMINAL	49932-8031	PHOS.-BRONZE	Min. 0.2/0.05uM Au over Min. 1.27uM Ni Overall
2	S-CONTACT TERMINAL	49814-8031	BECU-7ALLOY	Min. 0.2/0.05uM Au over Min. 1.27uM Ni Overall
3	mSD-METAL SHELL	49933-5003	STAINLESS STEEL	Min. 0.7uM Ni Overall
4	S-METAL SHELL	49934-5003	STAINLESS STEEL	Min. 0.7uM Ni Overall
5	HOUSING	49448-1491	LIQUID CRYSTAL POLYMER	UL94V-0
6	HEART CAM	49363-0001	LIQUID CRYSTAL POLYMER	UL94V-0
7	SWITCH TERMINAL 1	49820-8031	PHOS.-BRONZE	Min. 0.1/0.05uM Au over Min. 1.27uM Ni Overall
8	SWITCH TERMINAL 2	49821-8031	PHOS.-BRONZE	Min. 0.1/0.05uM Au over Min. 1.27uM Ni Overall
9	FITTING NAIL	49819-8003	PHOS.-BRONZE	Min. 3.0uM Pure-Sn over Min. 1.27uM Ni Overall
10	PIN ROD	49225-9002	STAINLESS STEEL	
11	SPRING	49362-9001	STAINLESS STEEL	

* TABLE 3 : REFERENCE

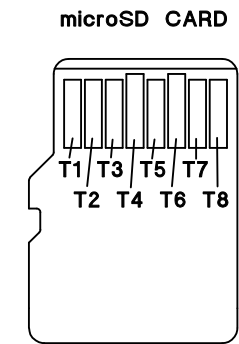
[SIM CARD-6P PIN-MAP]

PIN NUMBER	DESCRIPTION
S1	Vcc(Voltage)
S2	Vcc(Reset)
S3	CLK
S4	GND
S5	Vpp
S6	I/O



[microSD CARD PIN-MAP]

PIN NUMBER	DESCRIPTION
T1	DAT2
T2	CD/DAT3 ²
T3	CMD
T4	V _{DD}
T5	CLK
T6	V _{SS} ²
T7	DAT0
T8	DAT1



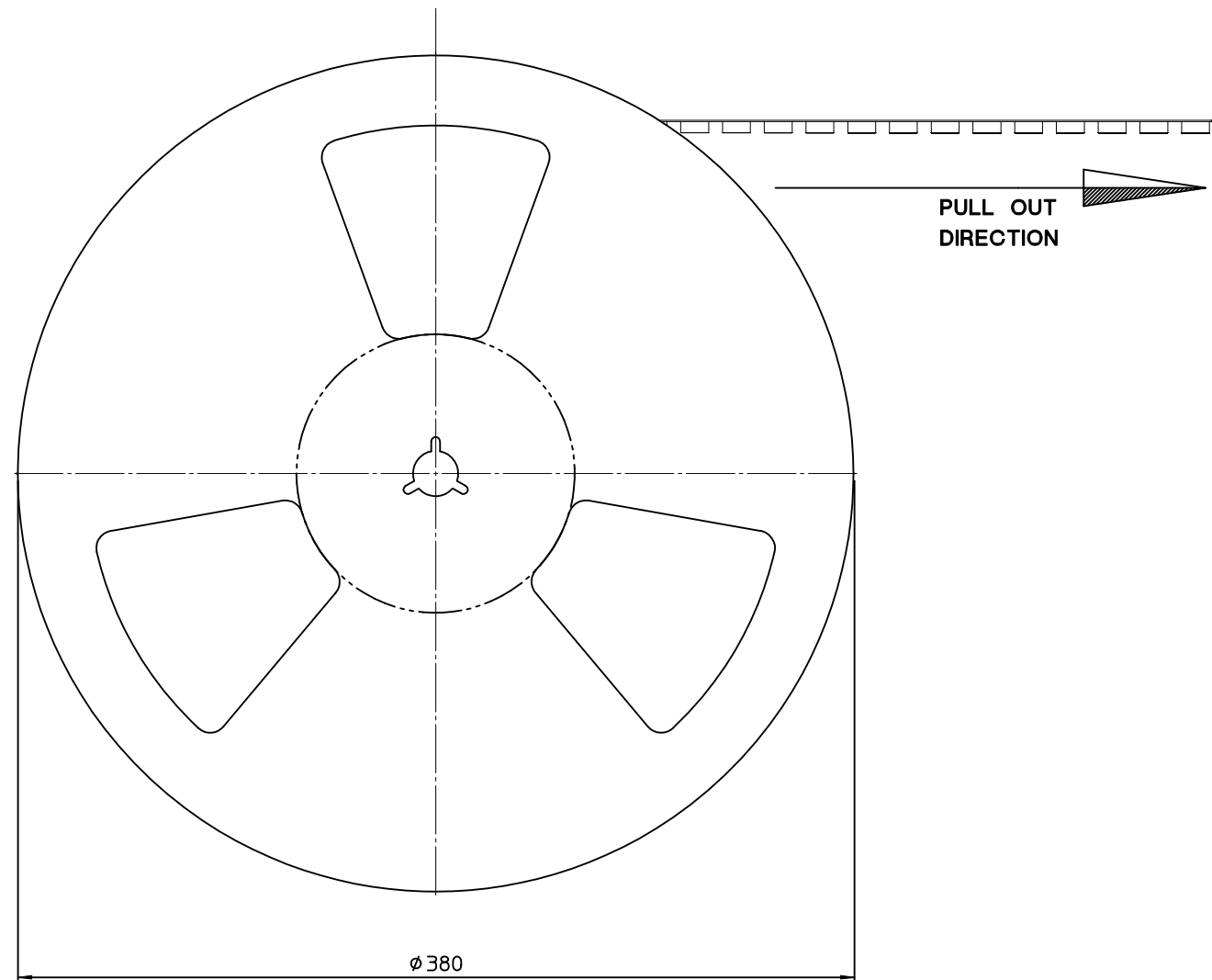
REVISED
 EC NO: KOR2010-0043
 DRWN: SUNGHYUK JOO 2009/12/24
 CHKD: YSOOKIM 2009/12/28
 APPR: YUNS IKKIM 2009/12/29

QUALITY SYMBOLS	GENERAL TOLERANCES (UNLESS SPECIFIED)	
	mm	INCH
▽=0	4 PLACES ± ---	± ---
▽=0	3 PLACES ± ---	± ---
	2 PLACES ± 0.1	± ---
	1 PLACE ± 0.15	± ---
	ANGULAR ± 1 °	

DRAFT WHERE APPLICABLE
 MUST REMAIN
 WITHIN DIMENSIONS

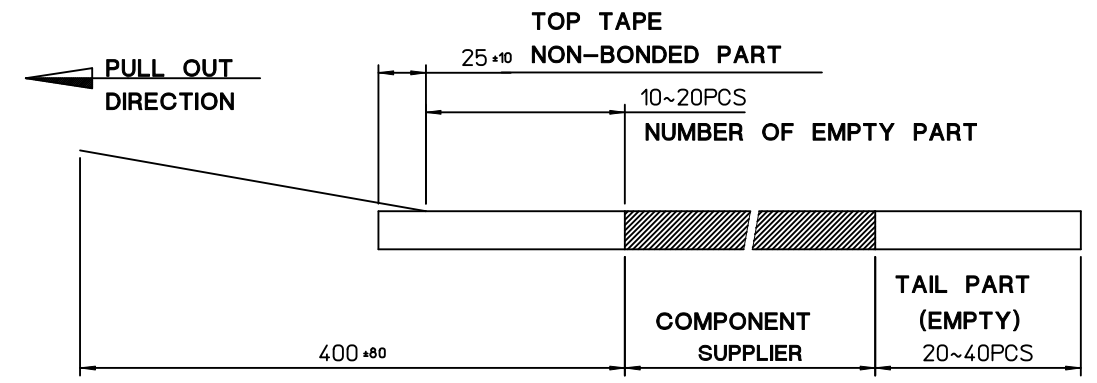
DIMENSION STYLE	
MM ONLY	
DRAWN BY	DATE
IHYOU	2009/06/01
CHECKED BY	DATE
SHCHU	2009/06/01
APPROVED BY	DATE
YSOOKIM	2009/06/01
MATERIAL NO.	
SEE TABLE	
SIZE	
A3	

SCALE	DESIGN UNITS	THIRD ANGLE PROJECTION
5:1	METRIC	☉
TITLE		
M-SD/SIM COMBO SOCKET FOR 8P/6P		
MOLEX INCORPORATED		
DOCUMENT NO.	SHEET NO.	
SD-49448-004	1 OF 3	
THIS DRAWING CONTAINS INFORMATION THAT IS PROPRIETARY TO MOLEX INCORPORATED AND SHOULD NOT BE USED WITHOUT WRITTEN PERMISSION		

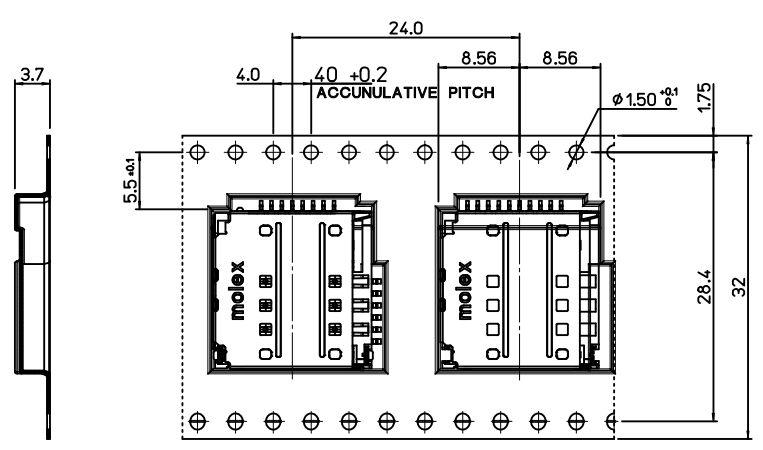
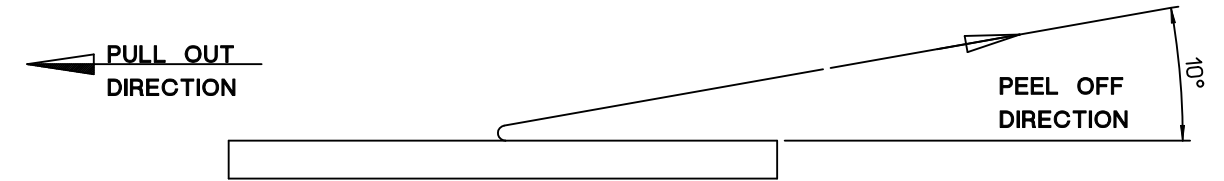


NOTES

- 1. QUANTITY OF CONNECTORS : 1,000PCS/REEL
- 2. LEAD LENGTH



- 3. PEELING OFF FORCE OF COVER TAPE : 0.1N~0.59N(10.2GF~60GF)
(PEELING DIRECTION AS SHOW IN FOLLOW FIG.)
- PEELING OFF SPEED : 300mm/Min.(Ref.)



35902-0011	35908-1003	49362-9901	49448-1411	494481411	49448-1411	8P/6P
COVER TAPE	REEL	EMBOSSED TAPE	CONNECTOR	MATERIAL NO.	ENG. NO.	CKTS

REVISED EC NO: KOR2010-0043 DRWN: SUNGHYUK JOO 2009/12/24 CHKD: YSOOKIM 2009/12/28 APPR: YUNSIKKIM 2009/12/29	QUALITY SYMBOLS	GENERAL TOLERANCES (UNLESS SPECIFIED)		DIMENSION STYLE MM ONLY		SCALE 5:1	DESIGN UNITS METRIC	THIRD ANGLE PROJECTION	
	▼=0 ▽=0	mm	INCH	DRAWN BY	DATE	TITLE M-SD/SIM COMBO SOCKET FOR 8P/6P			
		4 PLACES ± ---	± ---	IHYOU	2009/06/01				
		3 PLACES ± ---	± ---	CHECKED BY	DATE				
	2 PLACES ± 0.1	± ---	SHCHU	2009/06/01	MOLEX INCORPORATED				
	1 PLACE ± 0.15	± ---	APPROVED BY	DATE					
	ANGULAR ± 1 °		YSOOKIM	2009/06/01	DOCUMENT NO. SD-49448-004		SHEET NO. 1 OF 3		
	DRAFT WHERE APPLICABLE MUST REMAIN WITHIN DIMENSIONS		MATERIAL NO. SEE TABLE		THIS DRAWING CONTAINS INFORMATION THAT IS PROPRIETARY TO MOLEX INCORPORATED AND SHOULD NOT BE USED WITHOUT WRITTEN PERMISSION				
	SIZE A3								

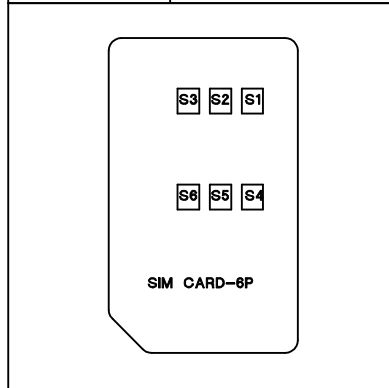
* TABLE 2 : PARTS-LIST

NO.	DESCRIPTION	ENGINEERING NO.	MATERIALS	FINISHES
1	mSD-CONTACT TERMINAL	49932-8031	PHOS.-BRONZE	Min. 0.2/0.05uM Au over Min. 1.27uM Ni Overall
2	S-CONTACT TERMINAL	49814-8031	BECU-7ALLOY	Min. 0.2/0.05uM Au over Min. 1.27uM Ni Overall
3	mSD-METAL SHELL	49933-5003	STAINLESS STEEL	Min. 0.7uM Ni Overall
4	S-METAL SHELL	49934-5003	STAINLESS STEEL	Min. 0.7uM Ni Overall
5	HOUSING	49448-1491	LIQUID CRYSTAL POLYMER	UL94V-0
6	HEART CAM	49383-0001	LIQUID CRYSTAL POLYMER	UL94V-0
7	SWITCH TERMINAL 1	49820-8031	PHOS.-BRONZE	Min. 0.1/0.05uM Au over Min. 1.27uM Ni Overall
8	SWITCH TERMINAL 2	49821-8031	PHOS.-BRONZE	Min. 0.1/0.05uM Au over Min. 1.27uM Ni Overall
9	FITTING NAIL	49819-8003	PHOS.-BRONZE	Min. 3.0uM Pure-Sn over Min. 1.27uM Ni Overall
10	PIN ROD	49225-9002	STAINLESS STEEL	
11	SPRING	49382-9001	STAINLESS STEEL	

* TABLE 3 : REFERENCE

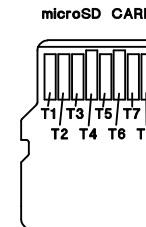
[SIM CARD-6P PIN-MAP]

PIN NUMBER	DESCRIPTION
S1	Vcc(Voltage)
S2	Vcc(Reset)
S3	CLK
S4	GND
S5	Vpp
S6	I/O



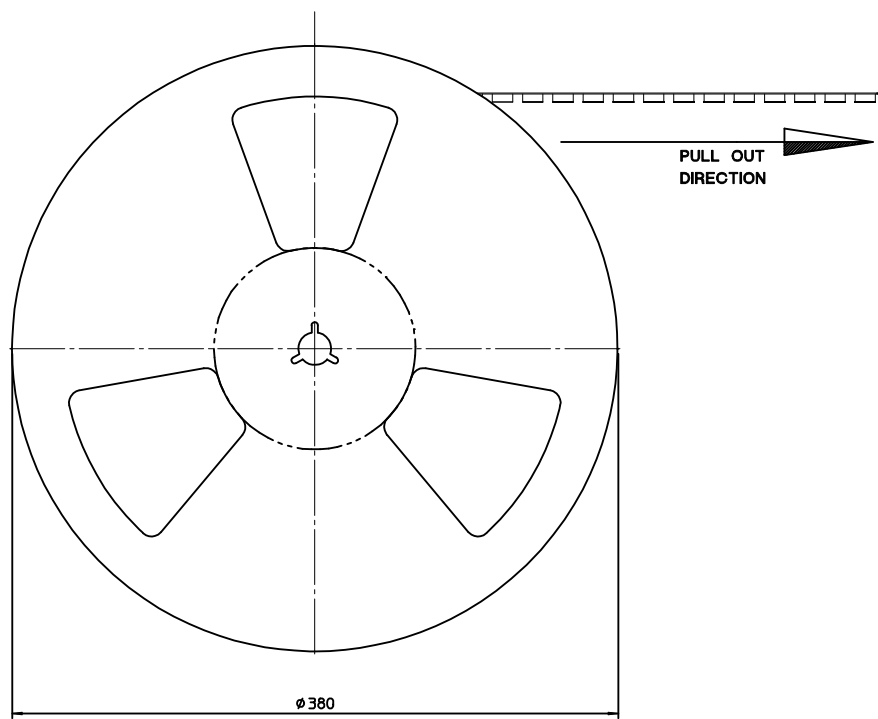
[microSD CARD PIN-MAP]

PIN NUMBER	DESCRIPTION
T1	DAT2
T2	CD/DAT3 ²
T3	CMD
T4	V _{DD}
T5	CLK
T6	V _{SS} ²
T7	DAT0
T8	DAT1



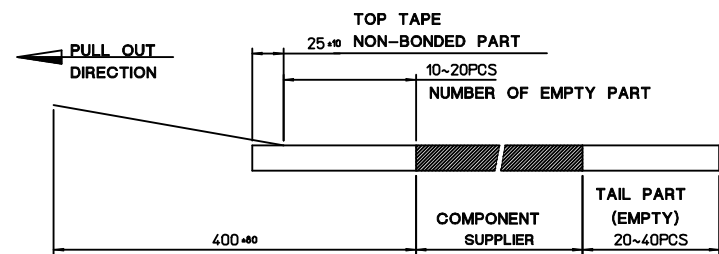
NEW REVISED EC NO: KOR2009-0171 DRWN: IHYOU 2009/06/30 CHKD: YS00KIM 2009/07/02 APPR: YUNSIKKIM 2009/07/02	QUALITY SYMBOLS	GENERAL TOLERANCES (UNLESS SPECIFIED)	DIMENSION STYLE	SCALE	DESIGN UNITS	THIRD ANGLE PROJECTION	
	▽=0 ◻=0	mm INCH 4 PLACES ± --- ± --- 3 PLACES ± --- ± --- 2 PLACES ± 0.10 ± --- 1 PLACE ± 0.15 ± --- ANGULAR ± 1 °	MM ONLY	5:1	METRIC		
	DESCRIPTION	DRAFT WHERE APPLICABLE MUST REMAIN WITHIN DIMENSIONS	DRAWN BY: IHYOU DATE: 2009.06.01 CHECKED BY: SHCHU DATE: 2009.06.01 APPROVED BY: YS00KIM DATE: 2009.06.01	TITLE	COMBO MEMORY SOCKET SIM&MICRO SD_6P&8P		
	REV		SEE TABLE	MATERIAL NO.	DOCUMENT NO.	SHEET NO.	

MOLEX INCORPORATED
SD-49448-004
2 OF 3

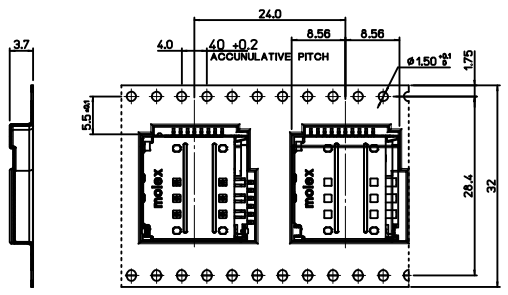
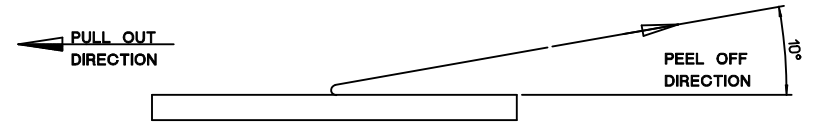


NOTES

1. QUANTITY OF CONNECTORS : 1,000PCS/REEL
2. LEAD LENGTH



3. PEELING OFF FORCE OF COVER TAPE : 0.1N~0.59N(10.2GF~80GF)
(PEELING DIRECTION AS SHOW IN FOLLOW FIG.)
- PEELING OFF SPEED : 300mm/MIn.(Ref.)



35902-0011	35908-1003	49362-9901	49448-1411	494481411	49448-1411	8P/8P
COVER TAPE	REEL	EMBOSSSED TAPE	CONNECTOR	MATERIAL NO.	ENG. NO.	CKTS

PULL OUT DIRECTION

<p>NEW REVISED</p> <p>EC NO: KOR2009-0171</p> <p>DRWN: IHYOU 2009/06/30</p> <p>CHKD: YSOOKIM 2009/07/02</p> <p>APPR: YUNSIKKIM 2009/07/02</p> <p>REV A</p>	<p>QUALITY SYMBOLS</p> <p>▽=0</p> <p>◻=0</p>	<p>GENERAL TOLERANCES (UNLESS SPECIFIED)</p> <table border="1"> <tr> <td></td> <td>mm</td> <td>INCH</td> </tr> <tr> <td>4 PLACES</td> <td>± ---</td> <td>± ---</td> </tr> <tr> <td>3 PLACES</td> <td>± ---</td> <td>± ---</td> </tr> <tr> <td>2 PLACES</td> <td>± 0.10</td> <td>± ---</td> </tr> <tr> <td>1 PLACE</td> <td>± 0.15</td> <td>± ---</td> </tr> </table> <p>ANGULAR ± 1 °</p>		mm	INCH	4 PLACES	± ---	± ---	3 PLACES	± ---	± ---	2 PLACES	± 0.10	± ---	1 PLACE	± 0.15	± ---	<p>DIMENSION STYLE</p> <p>MM ONLY</p> <p>DRAWN BY: IHYOU</p> <p>DATE: 2009.06.01</p> <p>CHECKED BY: SHCHU</p> <p>DATE: 2009.06.01</p> <p>APPROVED BY: YSOOKIM</p> <p>DATE: 2009.06.01</p> <p>MATERIAL NO. SEE TABLE</p>	<p>SCALE</p> <p>5:1</p> <p>DESIGN UNITS</p> <p>METRIC</p> <p>THIRD ANGLE PROJECTION</p>	<p>TITLE</p> <p>COMBO MEMORY SOCKET SIM&MICRO SD_6P&8P</p>
		mm	INCH																	
	4 PLACES	± ---	± ---																	
	3 PLACES	± ---	± ---																	
2 PLACES	± 0.10	± ---																		
1 PLACE	± 0.15	± ---																		
<p>DRAFT WHERE APPLICABLE MUST REMAIN WITHIN DIMENSIONS</p>			<p>SIZE</p> <p>A3</p>	<p>MOLEX INCORPORATED</p>	<p>SHEET NO.</p> <p>3 OF 3</p>															
<p>THIS DRAWING CONTAINS INFORMATION THAT IS PROPRIETARY TO MOLEX INCORPORATED AND SHOULD NOT BE USED WITHOUT WRITTEN PERMISSION</p>																				
<p>SD-49448-004</p>																				