

PLEASE CHECK WWW.MOLEX.COM FOR LATEST PART INFORMATION

Part Number: [0494631217](#)
Status: **Active**
Description: 2.00mm (0.078") LCD Housing Assembly, Single Row, 12 Circuits

Documents:

[3D Model](#) [Product Specification PS-49463-001 \(PDF\)](#)
[Drawing \(PDF\)](#) [RoHS Certificate of Compliance \(PDF\)](#)

General

| | |
|----------------|-----------------------|
| Product Family | Other Sockets |
| Series | 49463 |
| Component Type | Socket |
| Product Name | N/A |

Physical

| | |
|--------------------------------|-----------------------|
| Circuits (Loaded) | 12 |
| Color - Resin | Black |
| Durability (mating cycles max) | 200 |
| Entry Angle | Vertical |
| Keying to Mating Part | None |
| Material - Metal | Phosphor Bronze |
| Material - Plating Mating | Tin |
| Material - Plating Termination | Tin |
| PCB Locator | Yes |
| PCB Retention | Yes |
| Packaging Type | Embossed Tape on Reel |
| Pitch - Mating Interface (in) | 0.078 In |
| Pitch - Mating Interface (mm) | 2.00 mm |
| Temperature Range - Operating | -30°C to +105°C |
| Termination Interface: Style | Surface Mount |

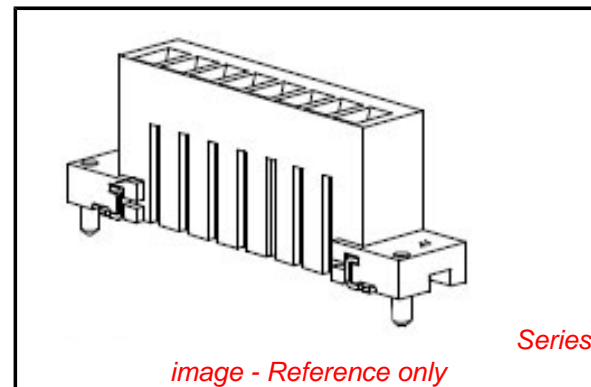
Electrical

| | |
|-------------------------------|------------------|
| Current - Maximum per Contact | 1A |
| Voltage - Maximum | 125V AC (RMS)/DC |

Material Info

Reference - Drawing Numbers

| | |
|-------------------------|----------------------------|
| Packaging Specification | PK-49463-001 |
| Product Specification | PS-49463-001 |
| Sales Drawing | SD-49463-001, SD-49463-002 |



EU RoHS

**ELV and RoHS
Compliant**
**REACH SVHC
Contains SVHC: No**
**Halogen-Free
Status**
Not Reviewed

China RoHS



**Need more information on product
environmental compliance?**

Email productcompliance@molex.com
For a multiple part number RoHS Certificate of
Compliance, [click here](#)

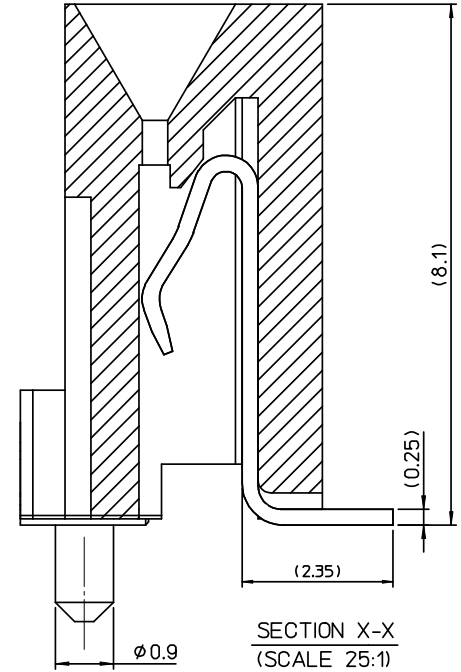
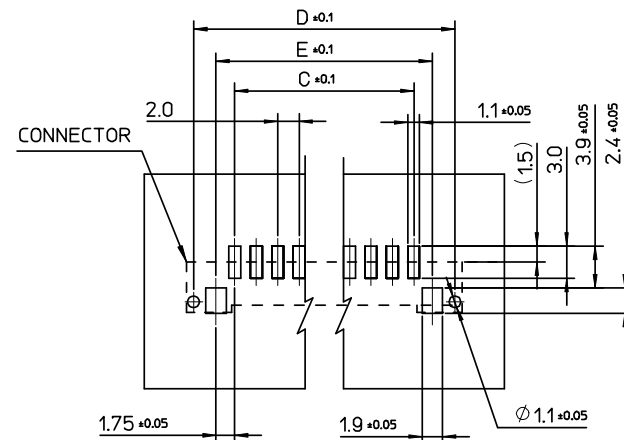
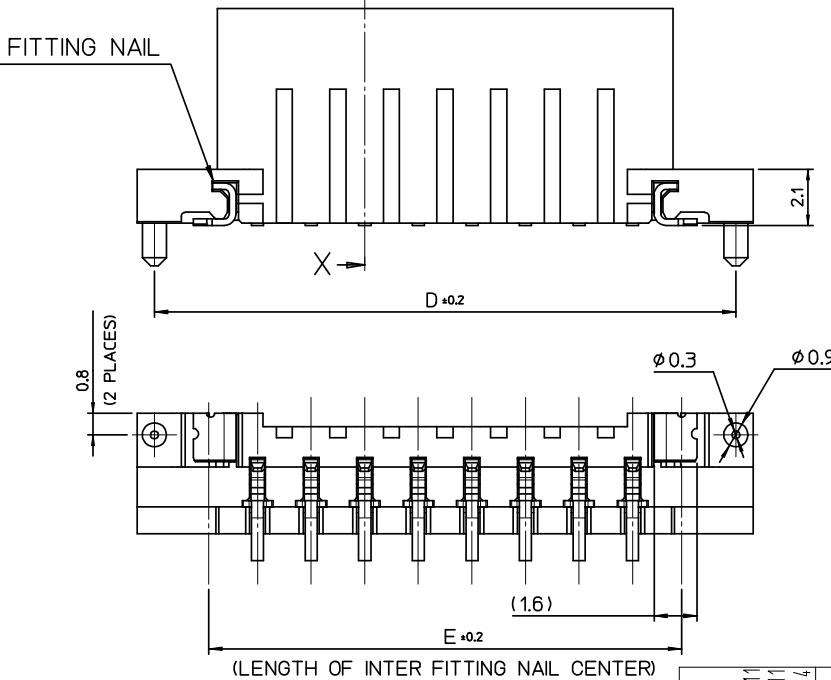
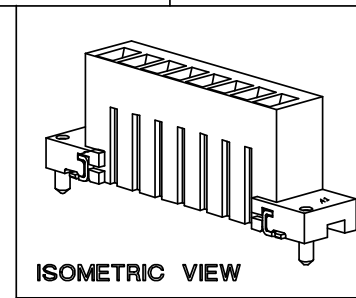
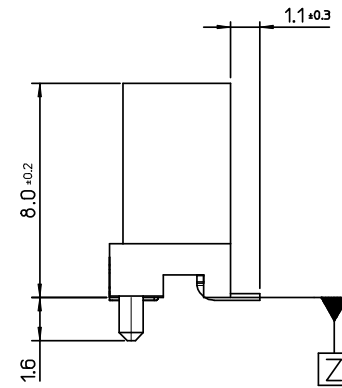
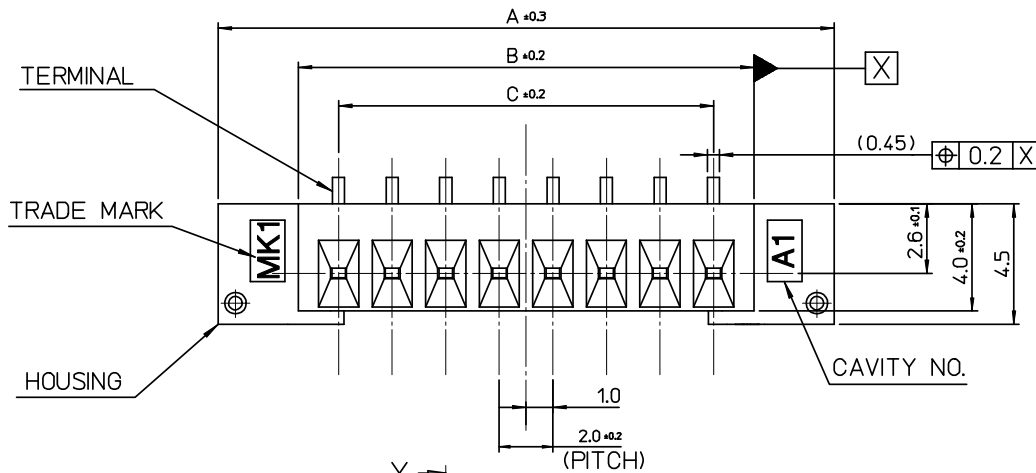
Please visit the [Contact Us](#) section for any
non-product compliance questions.

Search Parts in this Series

[49463Series](#)

Mates With

LCD Module



| | | | | | | | |
|-------|------|----|----|----|--------------|------------|-------|
| 49.65 | 53.7 | 46 | 49 | 55 | 494632411 | 49463-2411 | 24 |
| 45.65 | 49.7 | 42 | 45 | 51 | 494632211 | 49463-2211 | 22 |
| 41.65 | 45.7 | 38 | 41 | 47 | 494632011 | 49463-2011 | 20 |
| 37.65 | 41.7 | 34 | 37 | 43 | 494631811 | 49463-1811 | 18 |
| 33.65 | 37.7 | 30 | 33 | 39 | 494631611 | 49463-1611 | 16 |
| 29.65 | 33.7 | 26 | 29 | 35 | 494631411 | 49463-1411 | 14 |
| 25.65 | 29.7 | 22 | 25 | 31 | 494631211 | 49463-1211 | 12 |
| 21.65 | 25.7 | 18 | 21 | 27 | 494631011 | 49463-1011 | 10 |
| 17.65 | 21.7 | 14 | 17 | 23 | 494630811 | 49463-0811 | 8 |
| E | D | C | b | A | MATERIAL NO. | ENG. NO. | CKTS. |

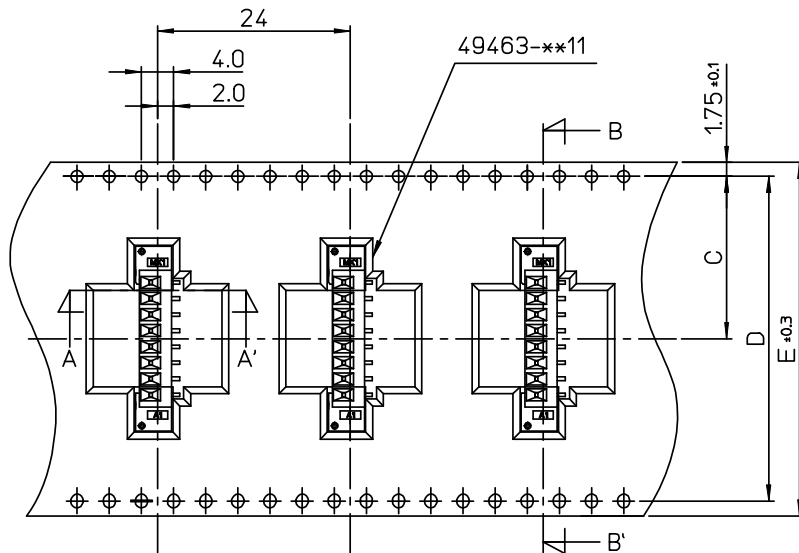
- NOTE
- MATERIAL
HOUSING : POLYAMIDE GLASS FILLED. UL94-V0. BLACK
TERMINAL · PHOSPHOR BRONZE
 - FINISH
CONTACT- Sn 2 MICROMETER MIN. OVER Ni 1~3 MICROMETER.
 - MISALIGNMENT OF SOLDER TAIL & FITTING NAIL FROM Z:
LOWER DIRECTION 0.1~0.25.
 - CAMBER/BOW OF ALL SECTIONS TO BE 0.15MAX.
 - SOLDER TAIL & FITTING NAIL COPLANARITY BEFORE REFLOW TO BE 0.1MAX. AFTER REFLOW TO BE 0.15MAX.

| | |
|--------------------------|-------------------------|
| NEW RELEASE | DESCRIPTION |
| EC NO: KOR2008-0090 | DRWN:HJEONG 2008/07/11 |
| DRWN:HJEONG 2008/07/11 | CHKD:YSOOKIM 2008/07/11 |
| APPR:YUNSIKIM 2008/07/14 | |
| REV | |

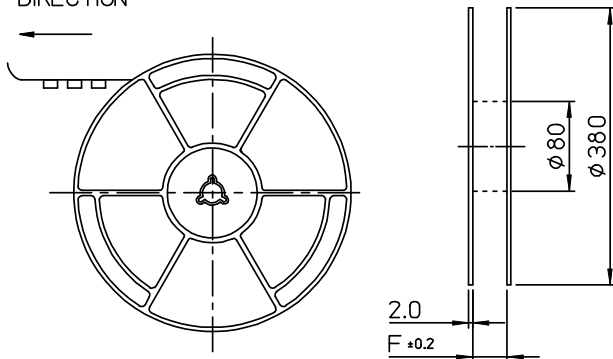
| | |
|-----------------|--|
| QUALITY SYMBOLS | GENERAL TOLERANCES (UNLESS SPECIFIED) |
| | mm INCH |
| ▽=0 | 4 PLACES ± --- ±--- |
| ▽=0 | 3 PLACES ± --- ±--- |
| | 2 PLACES ±0.05 ±--- |
| | 1 PLACE ±0.1 ±--- |
| | ANGULAR ± 1° |
| | DRAFT WHERE APPLICABLE MUST REMAIN WITHIN DIMENSIONS |

| | | | | |
|-----------------|---|--------------------------------|--------------|------------------------|
| DIMENSION STYLE | | SCALE | DESIGN UNITS | THIRD ANGLE PROJECTION |
| MM ONLY | | 5:1 | METRIC | |
| DRAWN BY | DATE | TITLE | | |
| YRKIM | 2007/01/24 | 2.0MM LCD HOUSING ASS'Y SERIES | | |
| CHECKED BY | DATE | MOLEX INCORPORATED | | |
| YSOOKIM | 2007/01/24 | SD-49463-001 | | |
| APPROVED BY | DATE | SHEET NO. | | |
| YSOOKIM | 2007/01/24 | 1 OF 1 | | |
| MATERIAL NO. | | DOCUMENT NO. | | |
| SEE TABLE | | | | |
| SIZE | THIS DRAWING CONTAINS INFORMATION THAT IS PROPRIETARY TO MOLEX INCORPORATED AND SHOULD NOT BE USED WITHOUT WRITTEN PERMISSION | | | |
| A3 | | | | |

PULL OUT DIRECTION

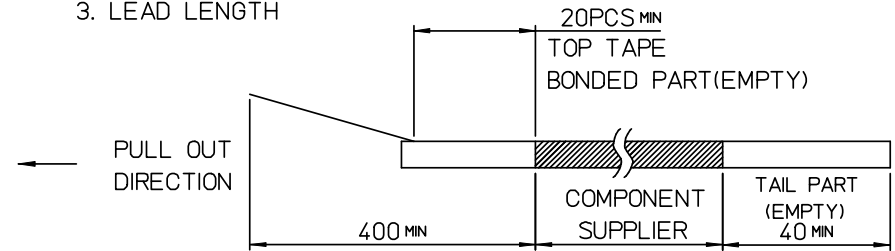


PULL OUT DIRECTION

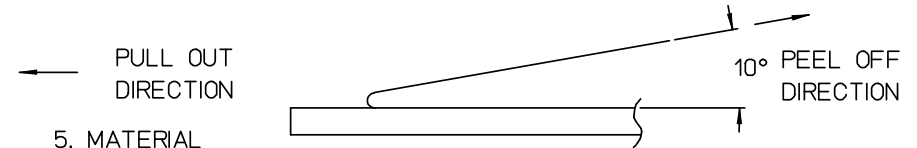


NOTE

1. REFER TO THE DRAWING 49463-**-11 FOR CONNECTOR DIMENSIONS.
2. QUANTITY OF CONNECTORS : 350PCS/REEL
3. LEAD LENGTH



4. PEELING OFF FORCE OF TOP TAPE : 0.1N~0.7N(10.2gf~71.4gf)
(PEELING DIRECTION AS SHOWN IN FOLLOW FIG.)
- THIS REQUIREMENT SHOULD BE APPLIED AT SHIPMENT.
- PEEL OFF SHOULD NOT BE ALLOWED, DURING TRANSPORTATION.



5. MATERIAL
- CARRIER TAPE : P.E.T
- TOP TAPE : P.E.T
- REEL : P.S
6. MATERIAL THICKNESS : 0.4mm
7. ALL CORNER : R 0.2

| | | | | | | | |
|------|----|------|------|-------------|--------------|------------|-----|
| 73.5 | 72 | 68.4 | 34.2 | 49463-9924 | 494632417 | 49463-2417 | 24 |
| 73.5 | 72 | 68.4 | 34.2 | 49463-9922 | 494632217 | 49463-2217 | 22 |
| 73.5 | 72 | 68.4 | 34.2 | 49463-9920 | 494632017 | 49463-2017 | 20 |
| 73.5 | 72 | 68.4 | 34.2 | 49463-9918 | 494631817 | 49463-1817 | 18 |
| 57.5 | 56 | 52.4 | 26.2 | 49463-9916 | 494631617 | 49463-1617 | 16 |
| 57.5 | 56 | 52.4 | 26.2 | 49463-9914 | 494631417 | 49463-1417 | 14 |
| 57.5 | 56 | 52.4 | 26.2 | 49463-9912 | 494631217 | 49463-1217 | 12 |
| 45.5 | 44 | 40.4 | 20.2 | 49463-9910 | 494631017 | 49463-1017 | 10 |
| 45.5 | 44 | 40.4 | 20.2 | 49463-9908 | 494630817 | 49463-0817 | 8 |
| F | E | D | C | EMBOSS TAPE | MATERIAL NO. | ENG. NO. | CKT |

| | | | | | | | | | | |
|--|--|--|-----------------------------|---------------------------------------|-------------------------------|--|-----------------------------------|--------------------------------|--|--|
| <p>NEW RELEASE</p> <p>EC NO: KOR2008-0090</p> <p>DRWN:HJEONG 2008/07/11</p> <p>CHKD:YSOOK IM 2008/07/11</p> <p>APPR:YUNS IKK IM 2008/07/14</p> | <p>QUALITY SYMBOLS</p> <p>▽=0</p> <p>▽=0</p> | <p>GENERAL TOLERANCES (UNLESS SPECIFIED)</p> | | <p>DIMENSION STYLE</p> <p>MM ONLY</p> | | <p>SCALE</p> <p>1.5:1</p> | <p>DESIGN UNITS</p> <p>METRIC</p> | <p>THIRD ANGLE PROJECTION</p> | | |
| | | <p>4 PLACES ± --- ± ---</p> | <p>3 PLACES ± --- ± ---</p> | <p>DRAWN BY</p> <p>YRKIM</p> | <p>DATE</p> <p>2007/01/24</p> | <p>TITLE</p> <p>2.0MM LCD HOUSING ASS'Y SERIES</p> | | | | |
| | | <p>2 PLACES ± 0.05 ± ---</p> | <p>1 PLACE ± 0.1 ± ---</p> | <p>CHECKED BY</p> <p>YSOOK IM</p> | <p>DATE</p> <p>2007/01/24</p> | <p>EMBOSSED TAPE PACKAGE</p> | | | | |
| | | <p>ANGULAR ± 1 °</p> | | <p>APPROVED BY</p> <p>YSOOK IM</p> | <p>DATE</p> <p>2007/01/24</p> | <p>MOLEX INCORPORATED</p> | | | | |
| <p>DRAFT WHERE APPLICABLE MUST REMAIN WITHIN DIMENSIONS</p> | | | | <p>MATERIAL NO.</p> <p>SEE TABLE</p> | | <p>DOCUMENT NO.</p> <p>SD-49463-002</p> | | <p>SHEET NO.</p> <p>1 OF 1</p> | | |
| <p>THIS DRAWING CONTAINS INFORMATION THAT IS PROPRIETARY TO MOLEX INCORPORATED AND SHOULD NOT BE USED WITHOUT WRITTEN PERMISSION</p> | | | | | | | | | | |