

**PLEASE CHECK WWW.MOLEX.COM FOR LATEST PART INFORMATION**

**Part Number:** **0513361410**  
**Status:** **Active**  
**Description:** 1.25mm (.049") Pitch Mini Mi II™ System Wire-to-Board IDT Housing, Single Row, 14 Circuits

**Documents:**

[3D Model](#) [Product Specification PS-51336-010 \(PDF\)](#)  
[Drawing \(PDF\)](#) [RoHS Certificate of Compliance \(PDF\)](#)

**General**

Product Family IDT and Solder Connectors  
 Series [51336](#)  
 Crimp Quality Equipment Yes  
 Product Name Mini Mi II™

**Physical**

Circuits (Loaded) 14  
 Color - Resin Natural  
 Durability (mating cycles max) 30  
 Gender Female  
 Glow-Wire Compliant No  
 Lock to Mating Part Yes  
 Material - Metal Phosphor Bronze  
 Material - Plating Mating Tin  
 Material - Plating Termination Tin  
 Material - Resin Polyester  
 Number of Rows 1  
 Packaging Type Bag  
 Panel Mount No  
 Pitch - Mating Interface (in) 0.049 In  
 Pitch - Mating Interface (mm) 1.25 mm  
 Plating min: Mating (µin) 36  
 Plating min: Mating (µm) 0.90  
 Plating min: Termination (µin) 36  
 Plating min: Termination (µm) 0.90  
 Polarized to Mating Part Yes  
 Stackable No  
 Temperature Range - Operating -40°C to +105°C  
 Wire Insulation Diameter 0.80-0.90mm (.031-.035")  
 Wire Size AWG 26, 28

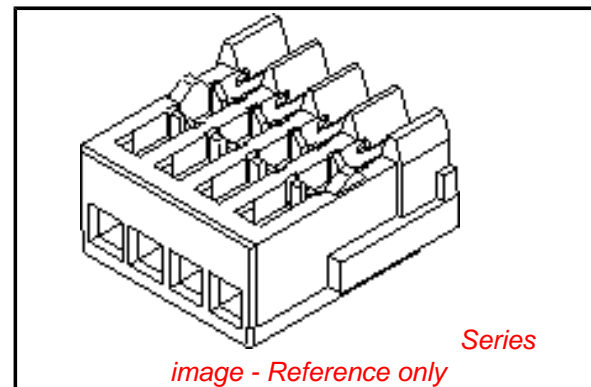
**Electrical**

Current - Maximum per Contact 1.5A  
 Voltage - Maximum 100V

**Material Info**

**Reference - Drawing Numbers**

Product Specification PS-51336-010, RPS-51336-004, RPS-51336-005,  
 RPS-51336-006, RPS-51336-009  
 Sales Drawing SD-51336-001



**EU RoHS**

**ELV and RoHS  
 Compliant**  
**REACH SVHC  
 Contains SVHC: No**  
**Halogen-Free  
 Status**

**China RoHS**



**Need more information on product  
 environmental compliance?**

Email [productcompliance@molex.com](mailto:productcompliance@molex.com)  
 For a multiple part number RoHS Certificate of  
 Compliance, [click here](#)

Please visit the [Contact Us](#) section for any  
 non-product compliance questions.

**Search Parts in this Series**

[51336Series](#)

**Mates With**

[55447](#) Vertical Header, [55454](#) Right Angle  
 Header

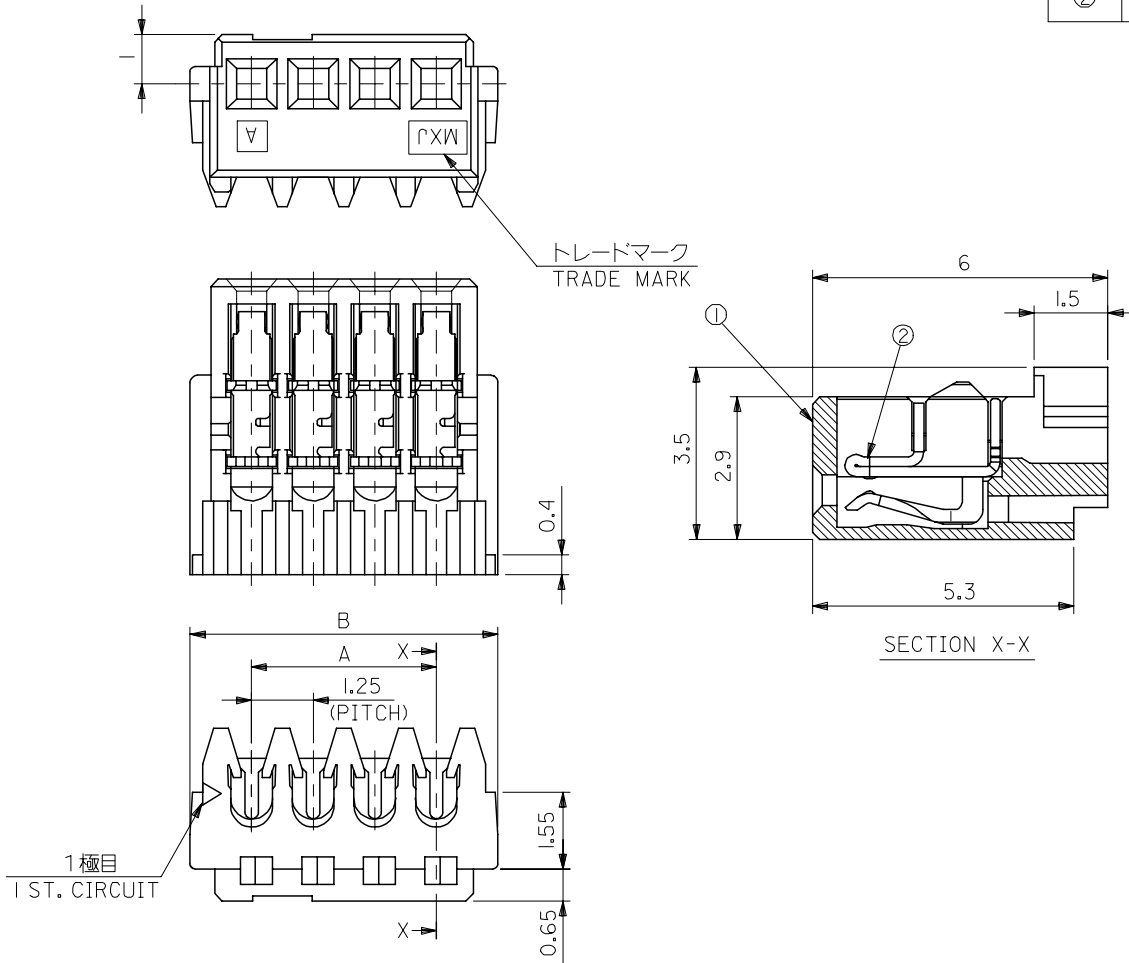
| 番号<br>NO. | 名称<br>NAME        | 原料<br>MATERIAL                       | 数量<br>QTY | 仕上げ<br>FINISH                 |
|-----------|-------------------|--------------------------------------|-----------|-------------------------------|
| ①         | ハウジング<br>HOUSING  | PBT<br>PBT                           | 1         | ガラス30%,<br>G.F.30%<br>UL94V-0 |
| ②         | ターミナル<br>TERMINAL | りん青銅 (+0.2)<br>PHOSPHOR BRONZE(+0.2) | N         | 全体錫メッキ<br>PRE-TINNED          |

注) NOTES

1. 原料および仕上げ: 表参照  
MATERIAL AND FINISH : SEE CHART

△製品番号  
MATERIAL NO.  
51336-\*\*\*

極数 CIRCUIT SIZE(O2 ~ 20)  
色 COLOR 10: 白色 WHITE



|       |       |                    |                       |           |
|-------|-------|--------------------|-----------------------|-----------|
| 26.25 | 23.75 | 20                 | 51336-201*            | 51336-*** |
| 25    | 22.5  | 19                 | 51336-191*            |           |
| 23.75 | 21.25 | 18                 | 51336-181*            |           |
| 22.5  | 20    | 17                 | 51336-171*            |           |
| 21.25 | 18.75 | 16                 | 51336-161*            |           |
| 20    | 17.5  | 15                 | 51336-151*            |           |
| 18.75 | 16.25 | 14                 | 51336-141*            |           |
| 17.5  | 15    | 13                 | 51336-131*            |           |
| 16.25 | 13.75 | 12                 | 51336-121*            |           |
| 15    | 12.5  | 11                 | 51336-111*            |           |
| 13.75 | 11.25 | 10                 | 51336-101*            |           |
| 12.5  | 10    | 9                  | 51336-091*            |           |
| 11.25 | 8.75  | 8                  | 51336-081*            |           |
| 10    | 7.5   | 7                  | 51336-071*            |           |
| 8.75  | 6.25  | 6                  | 51336-061*            |           |
| 7.5   | 5     | 5                  | 51336-051*            |           |
| 6.25  | 3.75  | 4                  | 51336-041*            |           |
| 5     | 2.5   | 3                  | 51336-031*            |           |
| 3.75  | 1.25  | 2                  | 51336-021*            |           |
| B     | A     | 極数<br>CIRCUIT SIZE | △製品番号<br>MATERIAL NO. |           |

|                      |              |
|----------------------|--------------|
| 材料<br>MATERIAL       | SEE CHART    |
| 仕上げ<br>FINISH        | SEE CHART    |
| 適用電線範囲<br>WIRE RANGE | AWG #26, #28 |
| 被覆外径<br>INS. RANGE   | φ0.8 - φ0.9  |

|     |  |
|-----|--|
| REV | DESCRIPTION  |
| 0   | RELEASED<br>EC NO: J2006-1346<br>DRW: M.NABE 2005/11/25<br>CHK: K.TOYODA 2005/11/28<br>APP: N.UKITA 2005/11/30 |

| GENERAL TOLERANCES<br>(UNLESS SPECIFIED)                   |       |
|--|-------|
| 10 UNDER   | ±0.2  |
| 10 OVER 30 UNDER   | ±0.25 |
| 30 OVER  | ±0.3  |
| ANGULAR  | ±3 °  |
| DRAFT WHERE APPLICABLE<br>MUST REMAIN<br>WITHIN DIMENSIONS |       |

| DIMENSION STYLE<br>MM ONLY |           |
|----------------------------|-----------|
| DRAWN BY                   | DATE      |
| M. NABE I                  | '05/10/24 |
| CHECKED BY                 | DATE      |
| K. TOYODA                  | '05/10/24 |
| APPROVED BY                | DATE      |
| N. UKITA                   | '05/10/24 |
| MATERIAL NO.<br>SEE CHART  |           |
| SIZE                       | A3        |

| SCALE   | DESIGN UNITS        | THIRD ANGLE PROJECTION |
|---|---------------------|------------------------|
| 10:1  | METRIC              | ☉ □                    |
| TITLE<br>MINI M12 REC. ASSY (SN)  |                     |                        |
| MOLEX INCORPORATED  |                     |                        |
| DOCUMENT NO.<br>SD-51336-001  | SHEET NO.<br>1 OF 1 |                        |
| THIS DRAWING CONTAINS INFORMATION THAT IS PROPRIETARY TO MOLEX INCORPORATED AND SHOULD NOT BE USED WITHOUT WRITTEN PERMISSION |                     |                        |