

PLEASE CHECK WWW.MOLEX.COM FOR LATEST PART INFORMATION

Part Number: [0527932270](#)
Status: **Active**
Overview:
Description: 1.00mm (.039") Pitch Right Angle, SMT, Non-ZIF, Top Contact Style, 22 Circuits, Lead-free

Agency Certification

CSA LR19980
 UL E29179

General

Product Family FFC/FPC Connectors
 Series 52793
 Overview ffc_fpc_smt
 Product Name N/A

Physical

Circuits (Loaded) 22
 Contact Position Top
 Durability (mating cycles max) 10
 Entry Angle 90° Angle
 Flammability 94V-0
 Mated Height (in) 0.122 In
 Mated Height (mm) 3.10 mm
 Material - Metal Phosphor Bronze
 Material - Plating Mating Tin-Bismuth
 Material - Plating Termination Tin-Bismuth
 Number of Rows 1
 Orientation Right Angle
 PCB Locator No
 PCB Retention Yes
 Packaging Type Embossed Tape on Reel
 Pitch - Mating Interface (in) 0.039 In
 Pitch - Mating Interface (mm) 1.00 mm
 Plating min: Mating (µin) 40
 Plating min: Mating (µm) 1
 Plating min: Termination (µin) 40
 Plating min: Termination (µm) 1
 Polarized to PCB No
 Stackable No
 Temperature Range - Operating -20°C to +85°C
 Termination Interface: Style Surface Mount
 Wire/Cable Type FFC/FPC

Electrical

Current - Maximum per Contact 0.5A
 Voltage - Maximum 50V

Material Info

Reference - Drawing Numbers

Packaging Specification SPK-52793-001
 Product Specification PS-52793-014, RPS-52793-016, RPS-52793-018,
 RPS-52793-019, RPS-52793-020, RPS-52793-021,
 RPS-52793-024
 Sales Drawing SD-52793-011, SD-52793-012

EU RoHS

**ELV and RoHS
 Compliant**
**REACH SVHC
 Contains SVHC: No**
**Halogen-Free
 Status**
Not Halogen-Free

China RoHS



**Need more information on product
 environmental compliance?**

Email productcompliance@molex.com
 For a multiple part number RoHS Certificate of
 Compliance, [click here](#)

Please visit the [Contact Us](#) section for any
 non-product compliance questions.

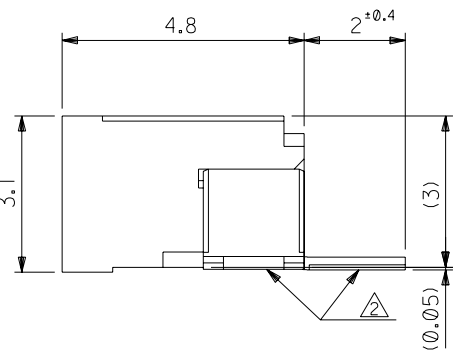
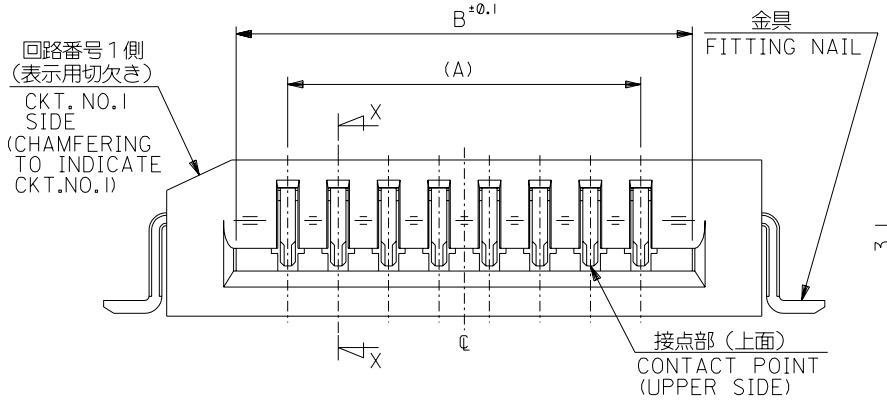
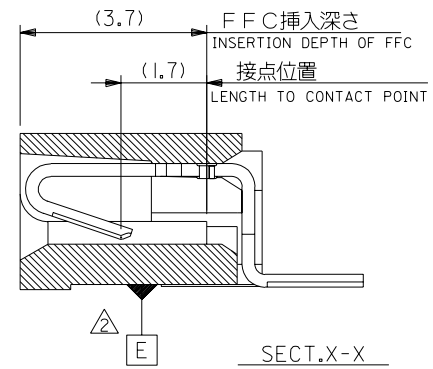
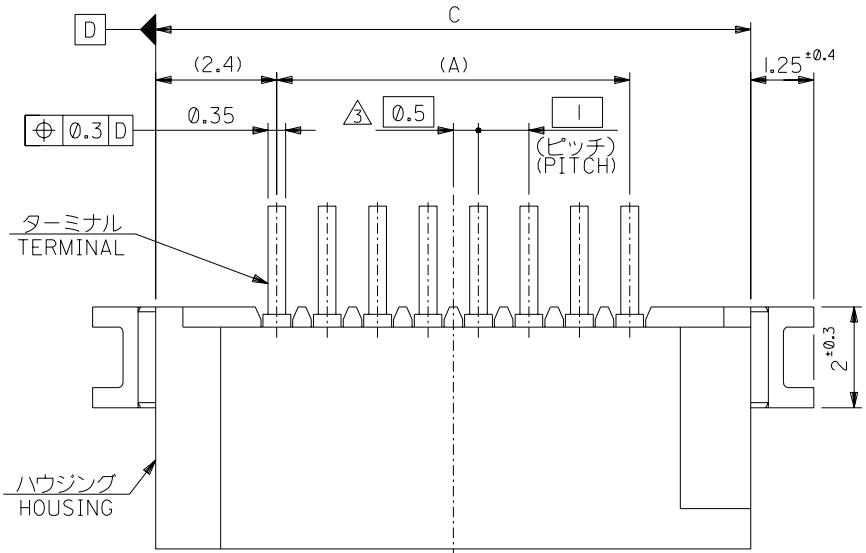
Search Parts in this Series

[52793Series](#)

This document was generated on 06/05/2010

PLEASE CHECK WWW.MOLEX.COM FOR LATEST PART INFORMATION

DWG. NO. SD-52793-011



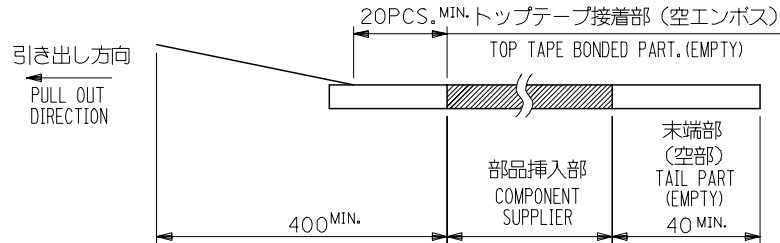
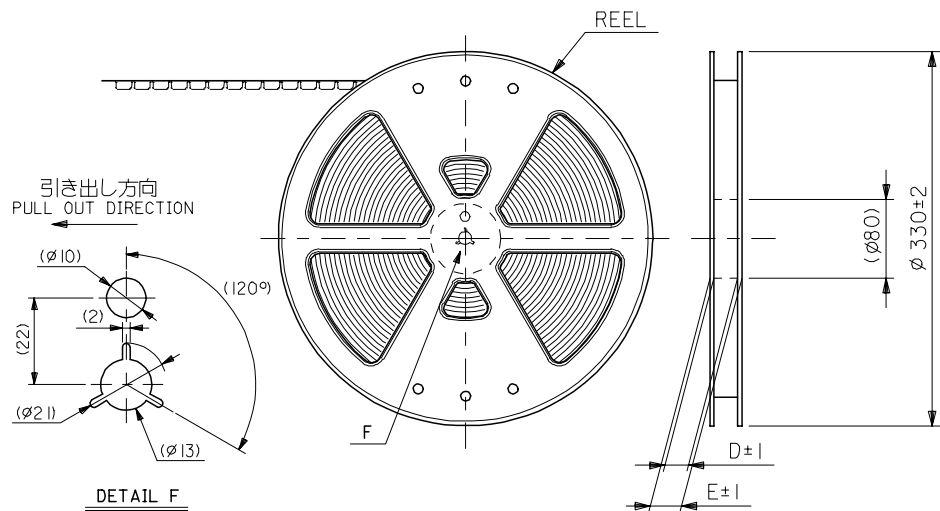
| | | | | |
|------|-------|----|-------------|------------|
| 33.8 | 31.05 | 29 | 52793-3019 | 30 |
| 32.8 | 30.05 | 28 | -2919 | 29 |
| 31.8 | 29.05 | 27 | -2819 | 28 |
| 30.8 | 28.05 | 26 | -2719 | 27 |
| 29.8 | 27.05 | 25 | -2619 | 26 |
| 28.8 | 26.05 | 24 | -2519 | 25 |
| 27.8 | 25.05 | 23 | -2419 | 24 |
| 26.8 | 24.05 | 22 | -2319 | 23 |
| 25.8 | 23.05 | 21 | -2219 | 22 |
| 24.8 | 22.05 | 20 | -2119 | 21 |
| 23.8 | 21.05 | 19 | -2019 | 20 |
| 22.8 | 20.05 | 18 | -1919 | 19 |
| 21.8 | 19.05 | 17 | -1819 | 18 |
| 20.8 | 18.05 | 16 | -1719 | 17 |
| 19.8 | 17.05 | 15 | -1619 | 16 |
| 18.8 | 16.05 | 14 | -1519 | 15 |
| 17.8 | 15.05 | 13 | -1419 | 14 |
| 16.8 | 14.05 | 12 | -1319 | 13 |
| 15.8 | 13.05 | 11 | -1219 | 12 |
| 14.8 | 12.05 | 10 | -1119 | 11 |
| 13.8 | 11.05 | 9 | -1019 | 10 |
| 12.8 | 10.05 | 8 | -0919 | 9 |
| 11.8 | 9.05 | 7 | -0819 | 8 |
| 10.8 | 8.05 | 6 | -0719 | 7 |
| 9.8 | 7.05 | 5 | -0619 | 6 |
| 8.8 | 6.05 | 4 | -0519 | 5 |
| 7.8 | 5.05 | 3 | -0419 | 4 |
| 6.8 | 4.05 | 2 | 52793-0319 | 3 |
| C | B | A | MATERIAL NO | 極数 CIRCUIT |

DO NOT SCALE DRAWING

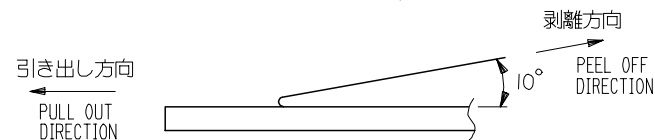
| | | | | | | | | | |
|----------------------------------|----------------------------------|----------------------------------|----------------------------------|---|----------------------------------|--|--|--|---|
| EC NO. DRWN: CHK: APPR: | EC NO. DRWN: CHK: APPR: | EC NO. DRWN: CHK: APPR: | EC NO. DRWN: CHK: APPR: | EC NO. J2004-1419 DRWN: H.KAWABATA '03/12/09 CHK: K.TOJO '03/12/09 APPR: H. Sasaki '03/12/09 RELEASED | MATERIAL 材料 注記参照 SEE NOTES | GENERAL TOLERANCES: (UNLESS SPECIFIED) 一般公差 10 UNDER 未満 ±0.2 10 OVER 以上 30 UNDER 未満 ±0.25 30 OVER 以上 ±0.3 ANGLE 角度 ±3° | SCALE 10:1 DESIGN UNITS [X]mm []INCH DRAWN BY & DATE H.KAWABATA '03/12/09 CHECKED BY & DATE K.TOJO '03/12/09 APPROVED BY & DATE H. Sasaki '03/12/09 CAD FILENAME SD-52793-011.S01 | DIMENSIONS: []mm []INCH [X]mm ONLY SHT REV REVISION CAD ONLY | TITLE: 1.0 FFC CONN. NON ZIF SMT R/A (UPPER CONTACT) -LEAD FREE- MOLEX MOLEX INCORPORATED MATERIAL NO. 52793-**19 DRAWING NO. SD-52793-011 SHEET NO. 1 OF 2 |
|----------------------------------|----------------------------------|----------------------------------|----------------------------------|---|----------------------------------|--|--|--|---|

NOTES

- 製品詳細寸法については 製品単体図面 を参照下さい。
RE DETAILED DIMENSION, SEE SALES DRAWING FOR CONNECTOR.
- 梱包数量：1000個/リール
NUMBER OF CONNECTORS : 1000PCS/REEL
- リードテープ長さ LEAD TAPE LENGTH



- トップテープの剥離強度：0.1-1.3 N(10-130gf) (剥離方向は下図参照)
尚、本規格値は出荷時に適用。(但し、輸送時に剥離が発生しないこと。)
PEELING OFF FORCE OF TOP TAPE : 0.1-1.3 N(10-130gf)
(PEELING DIRECTION AS SHOWN IN FOLLOWING FIG.)
THIS REQUIREMENT SHOULD BE APPLIED AT SHIPMENT.
PEEL OFF SHOULD NOT BE ALLOWED , DURING TRANSPORTATION.



- 材料 (MATERIAL)
キャリアテープ (CARRIER TAPE) : ポリプロピレン (POLYPROPYLENE)
トップテープ (TOPTAPE) : PET , PE , PEF
リール (REEL) : ポリスチレン (PS) <リサイクル材を含む>
POLYSTYRENE (PS) <RECYCLE MATERIAL CONTAINED>
- 本製品は 52793-***90 の鉛フリー品である。
THIS PRODUCT IS LEAD FREE OF 52793-***90

52793-***70 MODEL NO.

| | | | | | | | | |
|---|---------------------------------------|------------|--|-------------------|--|------------------------|------------------------|--|
| REVISED EC NO: J2006-0384 DRW: NAITA 2005/08/08 CHK: KYODOA 2005/08/09 APP: NUKITA 2005/08/22 | GENERAL TOLERANCES (UNLESS SPECIFIED) | | DIMENSION STYLE MM ONLY | | SCALE --- | DESIGN UNITS METRIC | THIRD ANGLE PROJECTION | |
| | 10 UNDER | ±0.2 | DRAWN BY M. NAGATA | DATE '03/12/09 | TITLE 1.0 FFC CONN. NON ZIF SMT RA EMBSTP PKG -LEAD FREE- | | | |
| | 10 OVER 30 UNDER | ±0.25 | CHECKED BY K. TOJO | DATE '03/12/09 | | | | |
| | 30 OVER | ±0.3 | APPROVED BY M. SASAO | DATE '03/12/09 | MOLEX INCORPORATED | | | |
| | ANGULAR | ±3 ° | MATERIAL NO. SEE CHART | | | | | |
| DRAFT WHERE APPLICABLE MUST REMAIN WITHIN DIMENSIONS | | SIZE A3 | THIS DRAWING CONTAINS INFORMATION THAT IS PROPRIETARY TO MOLEX INCORPORATED AND SHOULD NOT BE USED WITHOUT WRITTEN PERMISSION | | | | | |

10 9 8 7 6 5 4 3 2 1

F

E

D

C

B

A

F

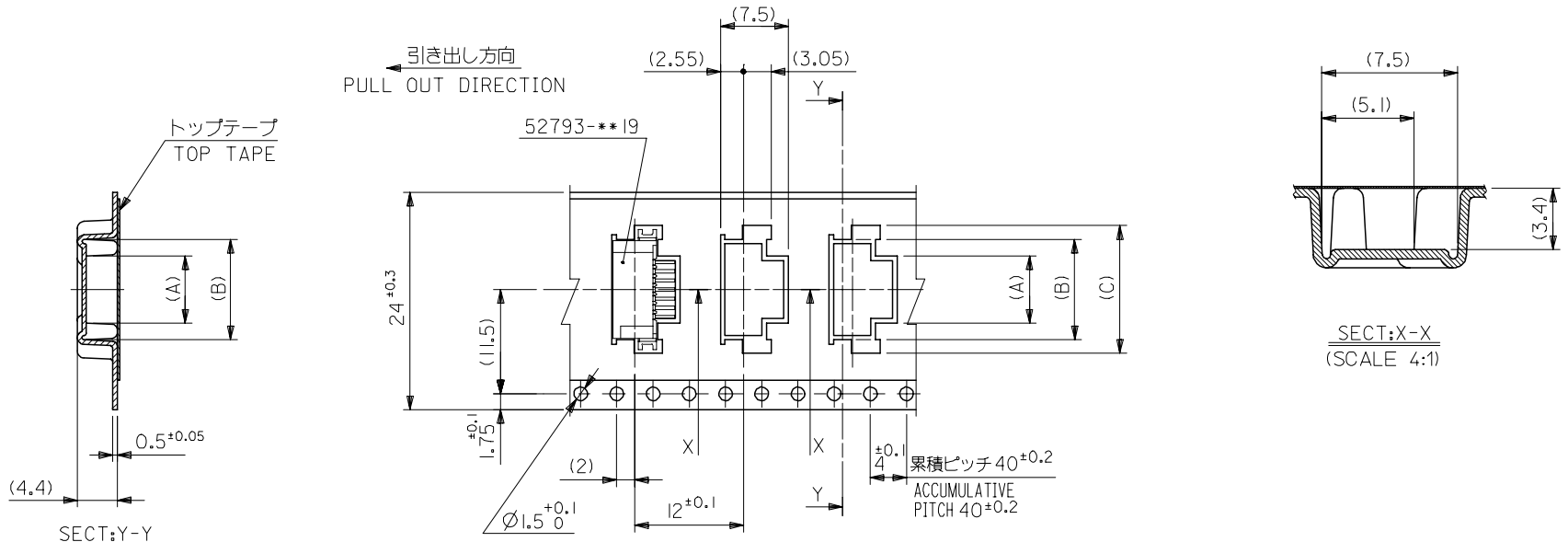
E

D

C

B

A



24mm幅キャリアテープ
24mm WIDTH CARRIER TAPE

| | | | | | | | |
|--------------------------------|------|------|------------|------|------|--------------|------------|
| 24 | 29.4 | 25.4 | 18.1 | 15.1 | 11.4 | 52793-1170 | 11 |
| | | | 17.1 | 14.1 | 10.4 | 52793-1070 | 10 |
| | | | 16.1 | 13.1 | 9.4 | 52793-0970 | 9 |
| | | | 15.1 | 12.1 | 8.4 | 52793-0870 | 8 |
| | | | 14.1 | 11.1 | 7.4 | 52793-0770 | 7 |
| | | | 13.1 | 10.1 | 6.4 | 52793-0670 | 6 |
| | | | 12.1 | 9.1 | 5.4 | 52793-0570 | 5 |
| 11.1 | 8.1 | 4.4 | 52793-0470 | 4 | | | |
| キャリアテープ幅 CARRIER TAPE WIDTH | E | D | (C) | (B) | (A) | MATERIAL NO. | 極数 CKT. |
| | | | | | | 52793-***70 | MODEL NO. |

| | | | | | | | |
|---|--|------------|----------------------------|-------------------|--|------------------------|---------------------------|
| REVISED EC NO: J2006-0384 DRW:NAIDA 2005/08/08 CHK:KTOYODA 2005/08/09 APP:NUKITA 2005/08/22 | GENERAL TOLERANCES (UNLESS SPECIFIED) | | DIMENSION STYLE MM ONLY | | SCALE --- | DESIGN UNITS METRIC | THIRD ANGLE PROJECTION |
| | 10 UNDER | ±0.2 | DRAWN BY M. NAGATA | DATE '03/12/09 | TITLE 1.0 FFC CONN. NON ZIF SMT RA EMBSTP PKG -LEAD FREE- | | |
| | 10 OVER 30 UNDER | ±0.25 | CHECKED BY K. TOJO | DATE '03/12/09 | MOLEX INCORPORATED | | |
| | 30 OVER | ±0.3 | APPROVED BY M. SASAO | DATE '03/12/09 | DOCUMENT NO. SD-52793-012 | | |
| | ANGULAR | ±3 ° | MATERIAL NO. SEE CHART | | SHEET NO. 2 OF 5 | | |
| DRAFT WHERE APPLICABLE MUST REMAIN WITHIN DIMENSIONS | | SIZE A3 | | | THIS DRAWING CONTAINS INFORMATION THAT IS PROPRIETARY TO MOLEX INCORPORATED AND SHOULD NOT BE USED WITHOUT WRITTEN PERMISSION | | |

10 9 8 7 6 5 4 3 2 1

F

E

D

C

B

A

F

E

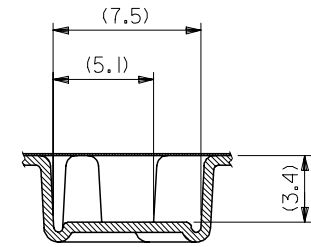
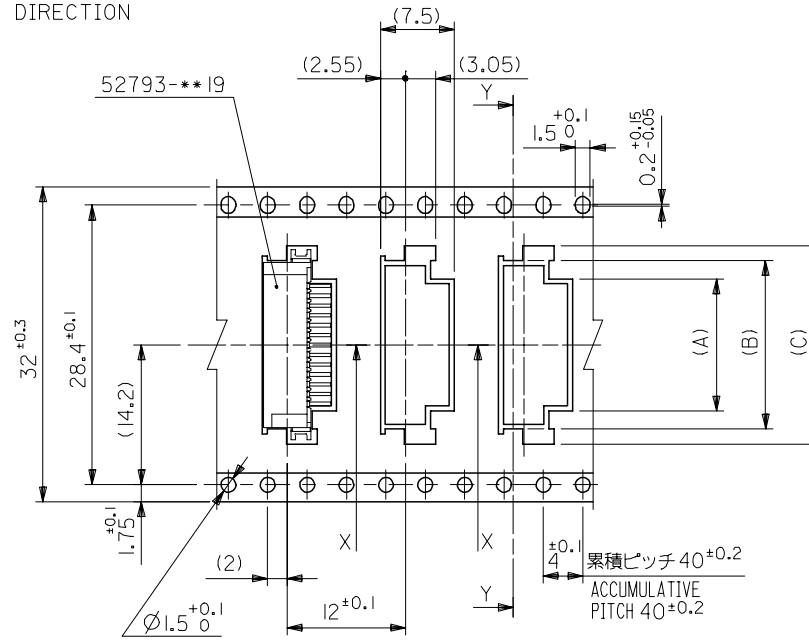
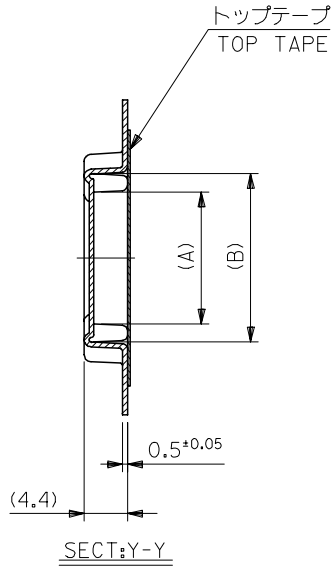
D

C

B

A

引き出し方向
PULL OUT DIRECTION



SECT:X-X
(SCALE 4:1)

32mm幅キャリアテープ
32mm WIDTH CARRIER TAPE

| | | | | | | | |
|--------------------------------|------|------|------|------|------|--------------|---------------|
| 32 | 37.4 | 33.4 | 23.1 | 20.1 | 16.4 | 52793-1670 | I6 |
| | | | 22.1 | 19.1 | 15.4 | 52793-1570 | I5 |
| | | | 21.1 | 18.1 | 14.4 | 52793-1470 | I4 |
| | | | 20.1 | 17.1 | 13.4 | 52793-1370 | I3 |
| | | | 19.1 | 16.1 | 12.4 | 52793-1270 | I2 |
| キャリアテープ幅 CARRIER TAPE WIDTH | E | D | (C) | (B) | (A) | MATERIAL NO. | 極数 CIRCUIT |

52793-***70 MODEL NO.

| | | | | | | | |
|---|--|------------|----------------------------|--|--|------------------------|---------------------------|
| REVISED EC NO: J2006-0384 DRW:NAIDA 2005/08/08 CHKD:KTOYODA 2005/08/09 APPR:NUKITA 2005/08/22 | GENERAL TOLERANCES (UNLESS SPECIFIED) | | DIMENSION STYLE MM ONLY | | SCALE --- | DESIGN UNITS METRIC | THIRD ANGLE PROJECTION |
| | 10 UNDER | ± 0.2 | DRAWN BY M. NAGATA | DATE '03/12/09 | TITLE 1.0 FFC CONN. NON ZIF SMT RA EMBSTP PKG -LEAD FREE- | | |
| | 10 OVER 30 UNDER | ± 0.25 | CHECKED BY K. TOJO | DATE '03/12/09 | MOLEX INCORPORATED | | |
| | 30 OVER | ± 0.3 | APPROVED BY M. SASAO | DATE '03/12/09 | DOCUMENT NO. SD-52793-012 | | |
| | ANGULAR | ± 3 ° | MATERIAL NO. SEE CHART | | SHEET NO. 3 OF 5 | | |
| DRAFT WHERE APPLICABLE MUST REMAIN WITHIN DIMENSIONS | | SIZE A3 | | THIS DRAWING CONTAINS INFORMATION THAT IS PROPRIETARY TO MOLEX INCORPORATED AND SHOULD NOT BE USED WITHOUT WRITTEN PERMISSION | | | |

10 9 8 7 6 5 4 3 2 1

F

E

D

C

B

A

F

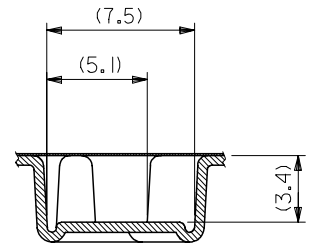
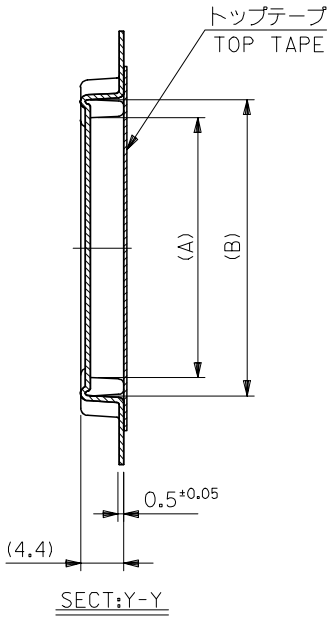
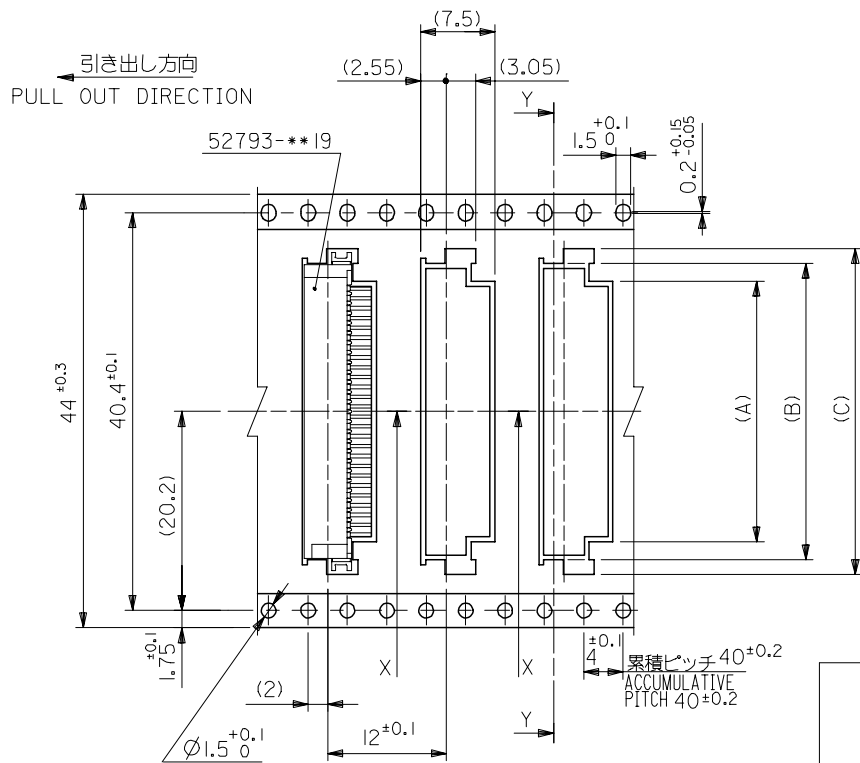
E

D

C

B

A



SECT:X-X
(SCALE 4:1)

44mm幅キャリアテープ
44mm WIDTH CARRIER TAPE

| | | | | | | | |
|--------------------------------|------|------|------------|------|------|--------------|---------------|
| 44 | 49.4 | 45.4 | 34.1 | 31.1 | 27.4 | 52793-2770 | 27 |
| | | | 33.1 | 30.1 | 26.4 | 52793-2670 | 26 |
| | | | 32.1 | 29.1 | 25.4 | 52793-2570 | 25 |
| | | | 31.1 | 28.1 | 24.4 | 52793-2470 | 24 |
| | | | 30.1 | 27.1 | 23.4 | 52793-2370 | 23 |
| | | | 29.1 | 26.1 | 22.4 | 52793-2270 | 22 |
| | | | 28.1 | 25.1 | 21.4 | 52793-2170 | 21 |
| | | | 27.1 | 24.1 | 20.4 | 52793-2070 | 20 |
| | | | 26.1 | 23.1 | 19.4 | 52793-1970 | 19 |
| | | | 25.1 | 22.1 | 18.4 | 52793-1870 | 18 |
| 24.1 | 21.1 | 17.4 | 52793-1770 | 17 | | | |
| キャリアテープ幅 CARRIER TAPE WIDTH | E | D | (C) | (B) | (A) | MATERIAL NO. | 極数 CIRCUIT |

累積ピッチ 40±0.2
ACCUMULATIVE PITCH 40±0.2

| | | | | | | | |
|--|---------------------------------------|------------|----------------------------|--|--|------------------------|------------------------|
| REVISED EC NO: J2006-0384 DRW:NAIDA 2005/08/08 CHK:KTOYODA 2005/08/09 APPR:NUKITA 2005/08/22 | GENERAL TOLERANCES (UNLESS SPECIFIED) | | DIMENSION STYLE MM ONLY | | SCALE --- | DESIGN UNITS METRIC | THIRD ANGLE PROJECTION |
| | 10 UNDER | ±0.2 | DRAWN BY M. NAGATA | DATE '03/12/09 | TITLE 1.0 FFC CONN. NON ZIF SMT RA EMBSTP PKG -LEAD FREE- | | |
| | 10 OVER 30 UNDER | ±0.25 | CHECKED BY K. TOJO | DATE '03/12/09 | MOLEX INCORPORATED | | |
| | 30 OVER | ±0.3 | APPROVED BY M. SASAO | DATE '03/12/09 | DOCUMENT NO. SD-52793-012 | | |
| | ANGULAR | ±3 ° | MATERIAL NO. SEE CHART | | SHEET NO. 4 OF 5 | | |
| DRAFT WHERE APPLICABLE MUST REMAIN WITHIN DIMENSIONS | | SIZE A3 | | THIS DRAWING CONTAINS INFORMATION THAT IS PROPRIETARY TO MOLEX INCORPORATED AND SHOULD NOT BE USED WITHOUT WRITTEN PERMISSION | | | |

