

**PLEASE CHECK WWW.MOLEX.COM FOR LATEST PART INFORMATION**

**Part Number:** [0530480610](#)  
**Status:** **Active**  
**Overview:** [picoblade](#)  
**Description:** 1.25mm (.049") Pitch PicoBlade™ Header, Right Angle, 6 Circuits

**Documents:**

[3D Model](#) [Product Specification PS-51021-010 \(PDF\)](#)  
[Drawing \(PDF\)](#) [RoHS Certificate of Compliance \(PDF\)](#)

**General**

Product Family	PCB Headers
Series	<a href="#">53048</a>
Application	Wire-to-Board
Overview	<a href="#">picoblade</a>
Product Name	PicoBlade™

**Physical**

Breakaway	No
Circuits (Loaded)	6
Circuits (maximum)	6
Color - Resin	Natural
First Mate / Last Break	No
Glow-Wire Compliant	No
Guide to Mating Part	No
Keying to Mating Part	None
Lock to Mating Part	Yes
Mated Height (in)	0.138 In
Mated Height (mm)	3.50 mm
Material - Plating Mating	Tin
Material - Resin	Nylon
Number of Rows	1
Orientation	Right Angle
PC Tail Length (in)	0.091 In
PC Tail Length (mm)	2.30 mm
PCB Locator	No
PCB Retention	None
PCB Thickness Recommended (in)	0.031 In
PCB Thickness Recommended (mm)	0.80 mm
Packaging Type	Tray
Pitch - Mating Interface (in)	0.049 In
Pitch - Mating Interface (mm)	1.25 mm
Polarized to PCB	No
Shrouded	Fully
Stackable	No
Temperature Range - Operating	-40°C to +85°C
Termination Interface: Style	Through Hole

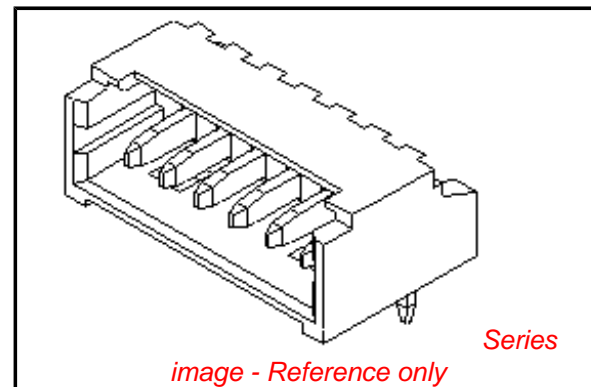
**Electrical**

Current - Maximum per Contact	1A
Voltage - Maximum	125V

**Material Info**

**Reference - Drawing Numbers**

Packaging Specification	SPK-53048-001
-------------------------	---------------



*image - Reference only*

**EU RoHS**

**ELV and RoHS  
Compliant**

**REACH SVHC**

Not Reviewed

**Halogen-Free**

**Status**

**Not Halogen-Free**

**China RoHS**



**Need more information on product  
environmental compliance?**

Email [productcompliance@molex.com](mailto:productcompliance@molex.com)  
 For a multiple part number RoHS Certificate of  
 Compliance, [click here](#)

Please visit the [Contact Us](#) section for any  
 non-product compliance questions.

**Search Parts in this Series**

[53048Series](#)

**Mates With**

[51021 PicoBlade™ Wire-to-Wire](#)

Product Specification

Sales Drawing

PS-51021-010, RPS-51021-007, RPS-51021-011,  
RPS-51021-048, RPS-51021-059, RPS-51021-060,  
RPS-51021-071, RPS-51021-089  
SD-53048-\*\*10

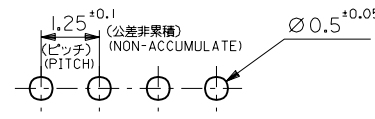
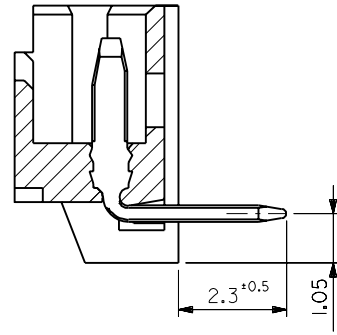
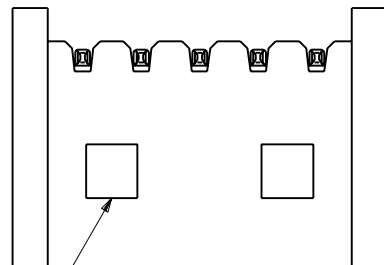
This document was generated on 05/26/2010

**PLEASE CHECK [WWW.MOLEX.COM](http://WWW.MOLEX.COM) FOR LATEST PART INFORMATION**

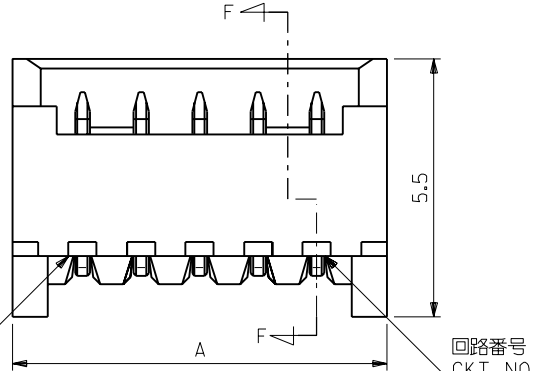
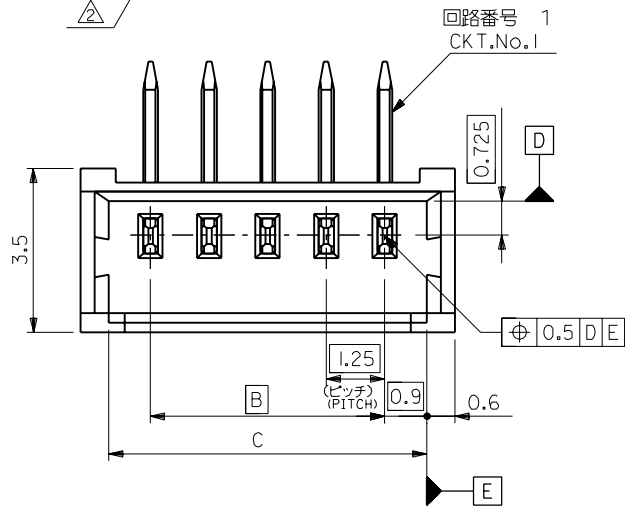
注記

NOTES

- 1. 嵌合相手：51021-\*\*-00  
MATE WITH:51021-\*\*-00
- △ ロック窓は、2. 3極が1ヶ所、4~15極が2ヶ所とする。  
WINDOW OF LOCK CONSTRUCTED 1 POINT BY 2,3POLES AND 2POINTS BY 4~15POLES.



基板取付穴推奨寸法 (t=0.8)  
RECOMMENDED PC BOARD HOLE DIMENSION (t=0.8)



MM DIMENSIONS IN METRIC DO NOT SCALE DRAWING

トレードマーク  
TRADE MARK

角度 ANGLE	±3°
30以上 OVER	+0.3
10以上 30未満 UNDER	+0.25
10未満 UNDER	+0.2
一般公差 GENERAL TOLERANCES	

記号 LTR	変更内容 REVISION RECORD	DR. / CHK.	日付 DATE

材料 MATERIAL	ピン:リン青銅、錫メッキ PIN:PHOSPHOR BRONZE, TIN PLATE
ウェハー: WAFER:	66ナイロン、UL94V-0 66NYLON, UL94V-0
仕上げ FINISH	//
適用電線範囲 WIRE RANGE	//
被覆外径 INS. RANGE	//
DRAWN BY	'96/06/11 S.A.NDO
CHK'D BY	'96/06/11 M.FUKUSHIMA
APP'D BY	'96/06/11 M.ENOMOTO
尺目 SCALE	10 : 1

MOLEX	MOLEX-JAPAN CO.,LTD. 日本モレックス株式会社
REVISE ONLY ON CAD SYSTEM	
TITLE 名称 1.25 WIRE TO BOARD CONN. WAFER ASS'Y R/A	
DWG. NO.	REV
SD-53048-**-10	C

19.3	17.5	20.5	53048-1510	15
18.05	16.25	19.25	-1410	14
16.8	15	18	-1310	13
15.55	13.75	16.75	-1210	12
14.3	12.5	15.5	-1110	11
13.05	11.25	14.25	-1010	10
11.8	10	13	-0910	9
10.55	8.75	11.75	-0810	8
9.3	7.5	10.5	-0710	7
8.05	6.25	9.25	-0610	6
6.8	5	8	-0510	5
5.55	3.75	6.75	-0410	4
4.3	2.5	5.5	-0310	3
3.05	1.25	4.25	53048-0210	2
C	B	A	ENG. NO.	極数