

**PLEASE CHECK WWW.MOLEX.COM FOR LATEST PART INFORMATION**

**Part Number:** [0537210470](#)  
**Status:** **Active**  
**Description:** 3.96mm (.156") Pitch Header, Vertical, with Plastic Snap-fit Peg, with Phosphor Bronze (CuSn) Alloy Contacts, Lead-free, 4 Circuits

**Documents:**

[3D Model](#) [Product Specification PS-51142-003 \(PDF\)](#)  
[Drawing \(PDF\)](#) [RoHS Certificate of Compliance \(PDF\)](#)

**General**

Product Family	PCB Headers
Series	<a href="#">53721</a>
Application	Wire-to-Board
Product Name	N/A

**Physical**

Breakaway	No
Circuits (Loaded)	4
Circuits (maximum)	4
Durability (mating cycles max)	30
First Mate / Last Break	No
Glow-Wire Compliant	No
Guide to Mating Part	No
Keying to Mating Part	None
Lock to Mating Part	Yes
Material - Metal	Phosphor Bronze
Material - Plating Mating	Tin
Material - Plating Termination	Tin
Number of Rows	2
Orientation	Vertical
PC Tail Length (in)	0.150 In
PC Tail Length (mm)	3.80 mm
PCB Locator	Yes
PCB Retention	Yes
PCB Thickness Recommended (in)	0.062 In
PCB Thickness Recommended (mm)	1.60 mm
Packaging Type	Tray
Pitch - Mating Interface (in)	0.256 In
Pitch - Mating Interface (mm)	6.50 mm
Plating min: Mating (µin)	40
Plating min: Mating (µm)	1
Plating min: Termination (µin)	40
Plating min: Termination (µm)	1
Polarized to PCB	Yes
Shrouded	Fully
Stackable	No
Temperature Range - Operating	-40°C to +105°C
Termination Interface: Style	Through Hole

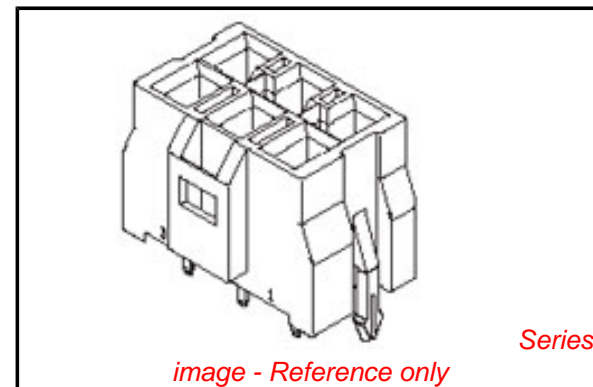
**Electrical**

Current - Maximum per Contact	9A
Voltage - Maximum	600V

**Material Info**

**Reference - Drawing Numbers**

Product Specification	PS-51142-003, RPS-51142-007
-----------------------	-----------------------------



**EU RoHS**

**ELV and RoHS Compliant**  
**REACH SVHC**  
 Not Reviewed  
**Halogen-Free Status**  
 Not Reviewed

**China RoHS**



**Need more information on product environmental compliance?**

Email [productcompliance@molex.com](mailto:productcompliance@molex.com)  
 For a multiple part number RoHS Certificate of Compliance, [click here](#)

Please visit the [Contact Us](#) section for any non-product compliance questions.

**Search Parts in this Series**

[53721Series](#)

**Mates With**

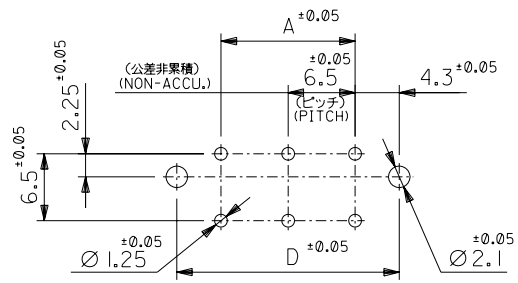
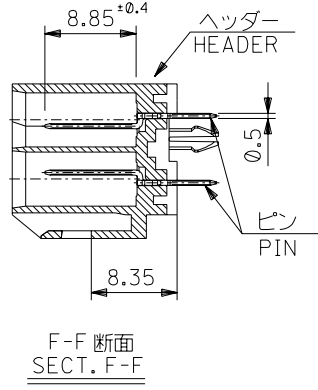
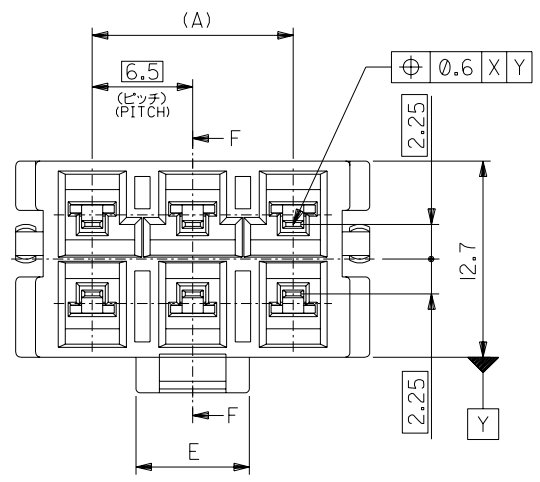
[51142 Wire-to-Board Receptacle Housing](#)

This document was generated on 04/16/2010

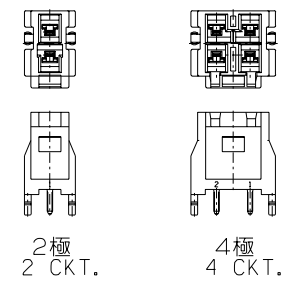
**PLEASE CHECK [WWW.MOLEX.COM](http://WWW.MOLEX.COM) FOR LATEST PART INFORMATION**

DWC. NO. SD-53721-001

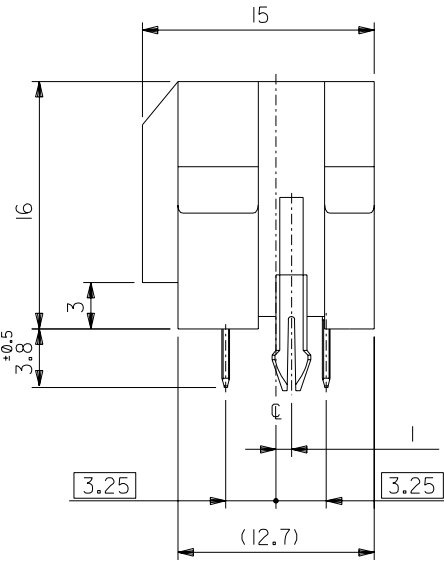
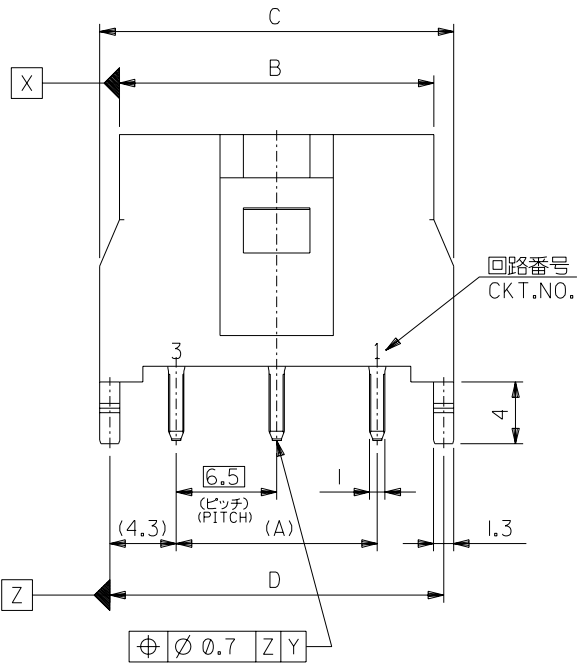
DIMENSIONS IN METRIC DO NOT SCALE DRAWING



基板取り付け穴推奨寸法 (マウント面)  
(基板厚: t1.6mm)  
RECOMMENDED P.C. BOARD HOLE  
DIM. (MOUNTING SIDE)  
(THK.: t1.6mm)



ロック形状図  
LOCK CONFIGURATION



注記  
NOTES

- 1 嵌合相手: 51142シリーズ  
MATE WITH: 51142 SERIES
- 2 材質 MATERIAL  
ピン: 銅合金, ニッケル下地錫メッキ (t0.5)  
PIN: COPPER ALLOY, TIN OVER NICKEL PLATED (t0.5)  
ヘッダー: 66NYLON (ガラス入: 25%), UL94V-0  
HEADER: 66NYLON(G.F.: 25%), UL94V-0
- 3 本製品は 53721-\*\*-10 の鉛フリー品である。  
THIS PRODUCT IS LEAD FREE OF 53721-\*\*-10.

53721-**-70	7.34	21.6	22.9	20.34	13	53721-0670	6
MODEL NO.	10.74	15.1	16.4	13.84	6.5	53721-0470	4
	7.34	8.6	9.9	7.34	—	53721-0270	2
	E	D	C	B	A	MATERIAL NO.	極数 CKT.

角度 ANGLE	±3°
30以上 OVER	+0.3
10以上 OVER 30未滿 UNDER	+0.25
未滿 10 UNDER	+0.2
一般公差 GENERAL TOLERANCES	

材料 MATERIAL	注記参照 SEE NOTES	MOLEX-JAPAN CO.,LTD. 日本モレックス株式会社
仕上げ FINISH	—	
適用電線範囲 WIRE RANGE	—	REVISE ONLY ON CAD SYSTEM
被覆外径 INS. RANGE	—	TITLE 名称 6.5 WIRE TO BOARD CONN. HEADER ASS'Y (WITH PEG) -LEAD FREE-
DRAWN BY '04/04/06 M.NABEI	CHK'D BY '04/04/06 K.TOJO	DWG. NO. SD-53721-001
APP'D BY '04/04/06 M.SASAO	尺度 SCALE —	REV 0