

PLEASE CHECK WWW.MOLEX.COM FOR LATEST PART INFORMATION

Part Number: [0538660870](#)
Status: **Active**
Description: 1.60mm (.063") Pitch Board-to-Board Panel Detachable PCB Header, Surface Mount, 8 Circuits, Gold (Au) Selective Plating, Tape-and-Reel Packaging, Lead-free

Documents:

[3D Model](#) [Product Specification PS-54092-002 \(PDF\)](#)
[Drawing \(PDF\)](#) [RoHS Certificate of Compliance \(PDF\)](#)

General

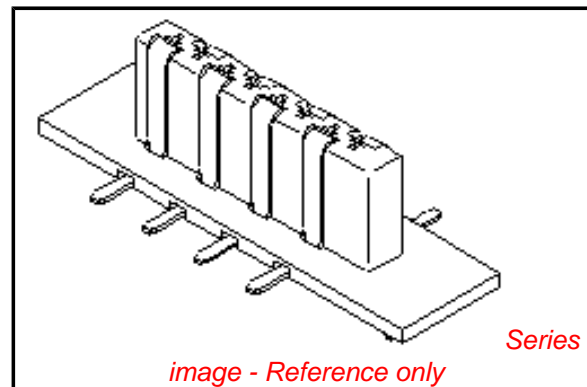
Product Family	PCB Headers
Series	53866
Application	Board-to-Board
Comments	Panel Detachable
Product Name	N/A

Physical

Breakaway	No
Circuits (Loaded)	8
Circuits (maximum)	8
Color - Resin	Black
Durability (mating cycles max)	20,000
First Mate / Last Break	No
Glow-Wire Compliant	No
Guide to Mating Part	No
Keying to Mating Part	None
Lock to Mating Part	None
Mated Height (in)	0.720 In
Mated Height (mm)	18.30 mm
Material - Metal	Phosphor Bronze
Material - Plating Mating	Gold
Material - Plating Termination	Tin
Material - Resin	High Temperature Thermoplastic
Number of Rows	2
Orientation	Vertical
PCB Locator	Yes
PCB Retention	None
PCB Thickness Recommended (in)	0.062 In
PCB Thickness Recommended (mm)	1.60 mm
Packaging Type	Embossed Tape on Reel
Pitch - Mating Interface (in)	0.063 In
Pitch - Mating Interface (mm)	1.60 mm
Plating min: Mating (µin)	20
Plating min: Mating (µm)	0.5
Plating min: Termination (µin)	40
Plating min: Termination (µm)	1
Polarized to Mating Part	No
Polarized to PCB	No
Shrouded	Fully
Stackable	No
Temperature Range - Operating	-40°C to +105°C
Termination Interface: Style	Through Hole and Surface Mount

Electrical

Current - Maximum per Contact	1A
Voltage - Maximum	125V



EU RoHS

ELV and RoHS Compliant
REACH SVHC
 Not Reviewed
Halogen-Free Status
 Not Reviewed

China RoHS



Need more information on product environmental compliance?

Email productcompliance@molex.com
 For a multiple part number RoHS Certificate of Compliance, [click here](#)

Please visit the [Contact Us](#) section for any non-product compliance questions.

Search Parts in this Series

53866Series

Mates With

54092-0819 Board-to-Board Panel Detachable PCB Receptacles

Material Info

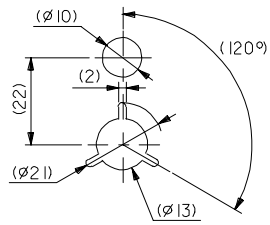
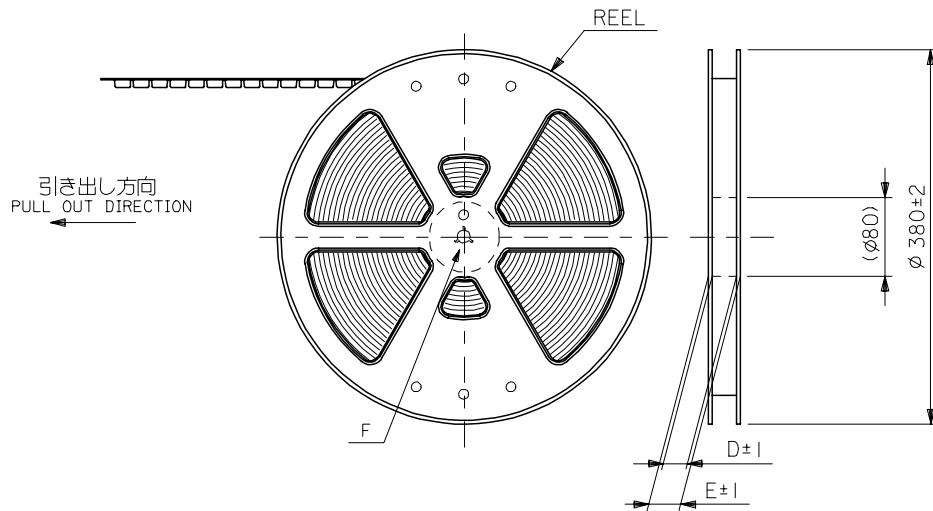
Reference - Drawing Numbers

Product Specification

PS-54092-002

This document was generated on 04/16/2010

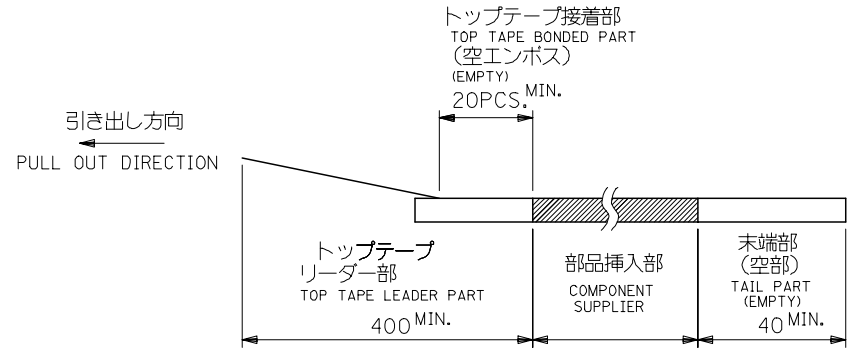
PLEASE CHECK WWW.MOLEX.COM FOR LATEST PART INFORMATION



DETAIL F

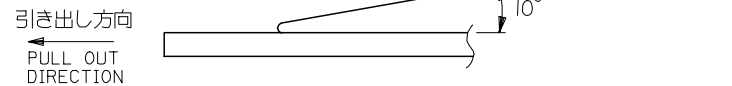
注記 NOTES

- 梱包数量：600個/リール NUMBER OF CONNECTORS: 600PCS/REEL
- リードテープ長さ LEAD TAPE LENGTH



- トップテープの剥離強度：(剥離方向は下図参照)
0.1N~1.3N(10.0gf~13.0gf) 尚、本規格値は、出荷時に適用。
(但し、輸送時に剥離が発生しない事。)

PEELING OFF FORCE OF TOP TAPE
0.1N~1.3N(10.0gf~13.0gf) (PEELING DIRECTION AS SHOWN IN FOLLOWING FIG.)
THIS REQUIREMENT SHOULD BE APPLIED AT SHIPMENT.
(PEEL OFF SHOULD NOT BE ALLOWED, DURING TRANSPORTATION.)



- 材料 MATERIAL
キャリアテープ：ポリプロピレン CARRIER TAPE : POLYPROPYLENE
トップテープ：PET, PE, PEF TOP TAPE : PET, PE, PEF
リール：紙製 REEL : CARD BOARD

- 本製品は 53866-**90 の鉛フリー品である。
THIS PRODUCT IS LEAD FREE OF 53866-**90.

RELEASED EC NO: J2006-0427 DR: N. H. YAJIMA 2005/11/07 CHK: D. N. UKITA 2005/11/07 APPR: N. UKITA 2005/11/11	DESCRIPTION REV A	GENERAL TOLERANCES (UNLESS SPECIFIED)		DIMENSION STYLE MM ONLY		SCALE ---	DESIGN UNITS METRIC	THIRD ANGLE PROJECTION		
		10 UNDER	± ---	DRAWN BY J. SASAMO	DATE 2004/8/19	TITLE EMBOSSED TAPE PACKAGE FOR 53866-**19 -LEAD FREE-				
		10 OVER 30 UNDER	± ---	CHECKED BY K. TOJO	DATE 2004/8/19					
		30 OVER	± ---	APPROVED BY N. UKITA	DATE 2004/8/19	MOLEX INCORPORATED DOCUMENT NO. SD-53866-002 SHEET NO. 1 OF 2				
		ANGULAR	± --- °	MATERIAL NO. 53866-**70						
DRAFT WHERE APPLICABLE MUST REMAIN WITHIN DIMENSIONS		SIZE A3		THIS DRAWING CONTAINS INFORMATION THAT IS PROPRIETARY TO MOLEX INCORPORATED AND SHOULD NOT BE USED WITHOUT WRITTEN PERMISSION						

10 9 8 7 6 5 4 3 2 1

F

E

D

C

B

A

F

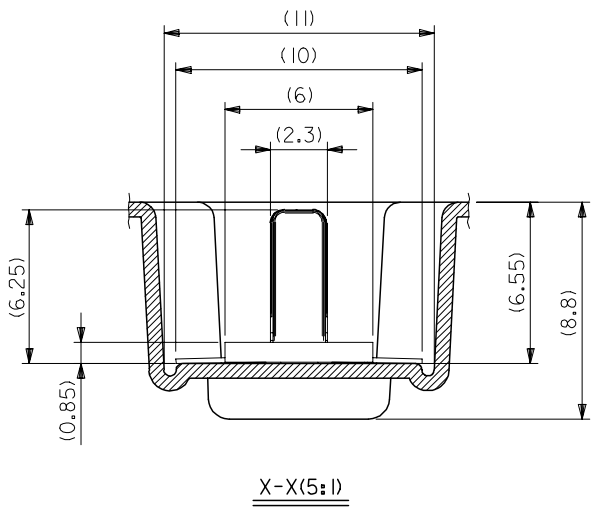
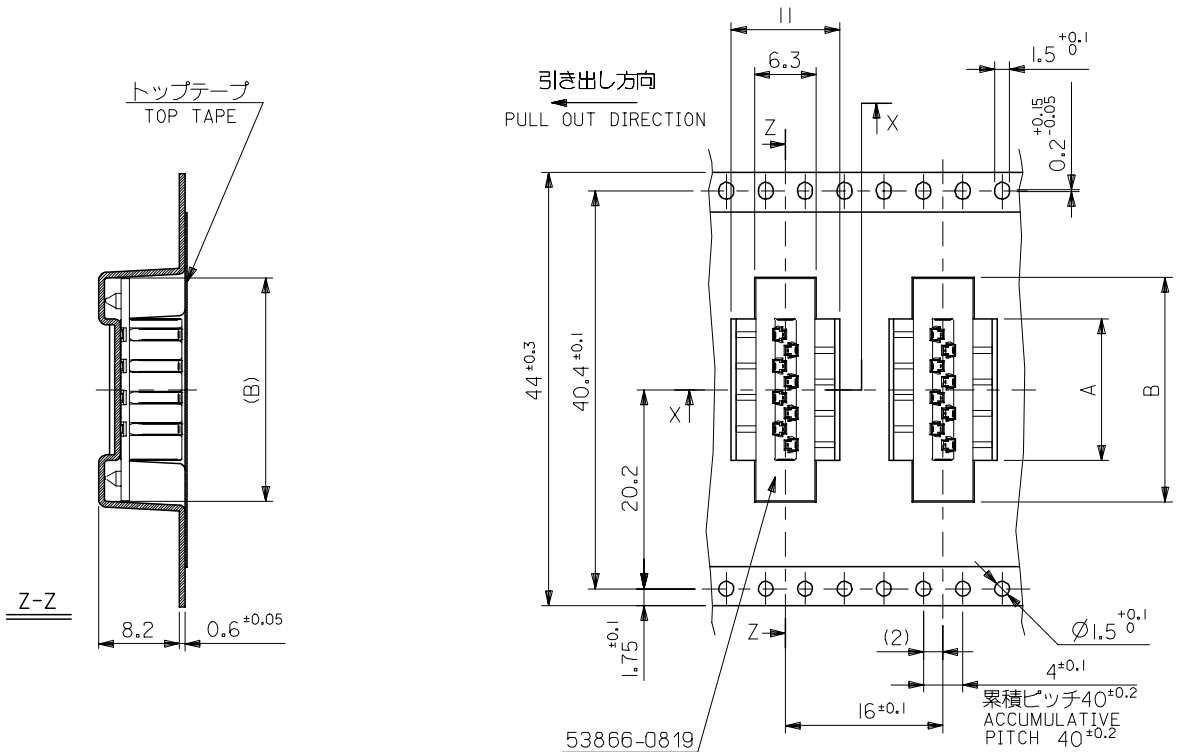
E

D

C

B

A



RELEASED	EC NO: J2006-0427	2005/11/07
	DR: W. HAJIMA	2005/11/07
	CHK: D. UKITA	2005/11/07
	APP: N. UKITA	2005/11/11
REV	DESCRIPTION	
A		

GENERAL TOLERANCES (UNLESS SPECIFIED)	
10 UNDER	±0.2
10 OVER 30 UNDER	±0.25
30 OVER	±0.3
ANGULAR	±3 °
DRAFT WHERE APPLICABLE MUST REMAIN WITHIN DIMENSIONS	

DIMENSION STYLE	
MM ONLY	
DRAWN BY	DATE
J. SASAMO	2004/8/19
CHECKED BY	DATE
K. TOJO	2004/8/19
APPROVED BY	DATE
N. UKITA	2004/8/19
MATERIAL NO.	
53866-**70	
SIZE	
A3	

44	44.4	22.8	14.4	53866-0870	8
キャリアテープ幅 CARRIER TAPE WIDTH			C	B	A
SCALE			DESIGN UNITS		THIRD ANGLE PROJECTION
2:1			METRIC		
TITLE					
EMBOSSED TAPE PACKAGE FOR 53866-**19 -LEAD FREE-					
MOLEX INCORPORATED				SHEET NO.	
DOCUMENT NO.				2 OF 2	
SD-53866-002					
THIS DRAWING CONTAINS INFORMATION THAT IS PROPRIETARY TO MOLEX INCORPORATED AND SHOULD NOT BE USED WITHOUT WRITTEN PERMISSION					