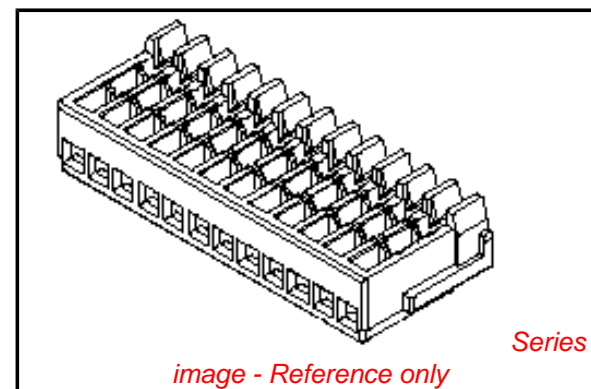


**PLEASE CHECK WWW.MOLEX.COM FOR LATEST PART INFORMATION**

**Part Number:** **0545961910**  
**Status:** **Active**  
**Description:** MINI MI2 REC. ASSY (SN)

**Documents:**

<a href="#">3D Model</a>	<a href="#">Product Specification PS-54596-021 (PDF)</a>
<a href="#">Drawing (PDF)</a>	<a href="#">Product Specification PS-54596-022 (PDF)</a>
<a href="#">Product Specification PS-54596-005 (PDF)</a>	<a href="#">Product Specification PS-54596-023 (PDF)</a>
<a href="#">Product Specification PS-54596-006 (PDF)</a>	<a href="#">Product Specification PS-54769-004 (PDF)</a>
<a href="#">Product Specification PS-54596-007 (PDF)</a>	<a href="#">Product Specification PS-55448-001 (PDF)</a>
<a href="#">Product Specification PS-54596-018 (PDF)</a>	<a href="#">Product Specification PS-55482-006 (PDF)</a>
<a href="#">Product Specification PS-54596-019 (PDF)</a>	<a href="#">RoHS Certificate of Compliance (PDF)</a>
<a href="#">Product Specification PS-54596-020 (PDF)</a>	



**General**

Product Family	IDT and Solder Connectors
Series	<u>54596</u>
Crimp Quality Equipment	Yes
Product Name	Mini Mi II™

**Physical**

Circuits (Loaded)	19
Color - Resin	Natural
Gender	Female
Glow-Wire Compliant	No
Lock to Mating Part	None
Material - Metal	Phosphor Bronze
Material - Plating Mating	Tin
Material - Plating Termination	Tin
Material - Resin	Nylon
Number of Rows	1
Packaging Type	Bag
Panel Mount	No
Pitch - Mating Interface (in)	0.049 In
Pitch - Mating Interface (mm)	1.25 mm
Plating min: Mating (µin)	36
Plating min: Mating (µm)	0.90
Plating min: Termination (µin)	36
Plating min: Termination (µm)	0.90
Stackable	No
Temperature Range - Operating	-40°C to +105°C
Termination Interface: Style	IDT or Pierce
Wire Insulation Diameter	0.80-0.90mm (.031-.035")
Wire Size AWG	26, 28

**Electrical**

Current - Maximum per Contact	1.5A
Voltage - Maximum	100V

**Material Info**

**Reference - Drawing Numbers**

Product Specification	PS-54596-005, PS-54596-006, PS-54596-007, PS-54596-018, PS-54596-019, PS-54596-020, PS-54596-021, PS-54596-022, PS-54596-023, PS-54769-004, PS-55448-001, PS-55482-006, RPS-54596-012, RPS-54596-013, RPS-54596-014,
-----------------------	--

**EU RoHS**

**ELV and RoHS Compliant**  
**REACH SVHC**  
Not Reviewed  
**Halogen-Free Status**  
**Not Reviewed**

**China RoHS**



**Need more information on product environmental compliance?**

Email [productcompliance@molex.com](mailto:productcompliance@molex.com)  
For a multiple part number RoHS Certificate of Compliance, [click here](#)

Please visit the [Contact Us](#) section for any non-product compliance questions.

**Search Parts in this Series**

[54596Series](#)

**Mates With**

[55451](#) , [55447](#) , [55454](#) , [55659](#) , [55456](#) , [55482](#) , [55450](#)

**Application Tooling | FAQ**

*Tooling specifications and manuals are found by selecting the products below. Crimp Height Specifications are then contained in the Application Tooling Specification document.*

**Japan**

Description	Product #
IDT Bench-Top Terminator for Mini Mi II™	<a href="#">0578277100</a>
Hand Crimper Fully-Automated IDT Machine (XELOM-PLUS)	<a href="#">0578345000</a> <a href="#">0578008300</a>

Sales Drawing

RPS-54596-016, RPS-54596-017, RPS-54596-022,  
RPS-54596-023, RPS-54596-024, RPS-54596-025,  
RPS-54596-026, RPS-54966-004, RPS-55448-004  
SD-54596-004

Fully-Automated IDT 0578008400  
Machine (XELOM-  
PLUS)

This document was generated on 04/16/2010

**PLEASE CHECK [WWW.MOLEX.COM](http://WWW.MOLEX.COM) FOR LATEST PART INFORMATION**

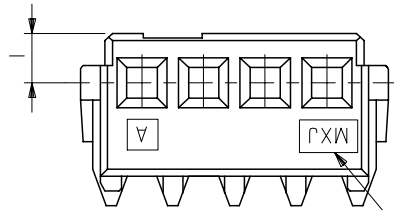
番号 NO.	名称 NAME	原料 MATERIAL	数量 QT'Y	仕上げ FINISH
①	ハウジング HOUSING	ナイロン NYLON	1	UL 94V-0
②	ターミナル TERMINAL	リン青銅 (+0.2) PHOSPHOR BRONZE(+0.2)	N	全体錫メッキ PRE-TINNED

注) NOTES

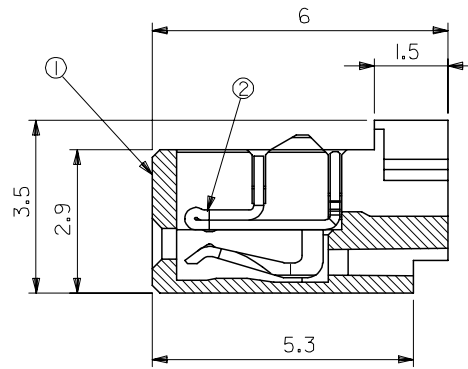
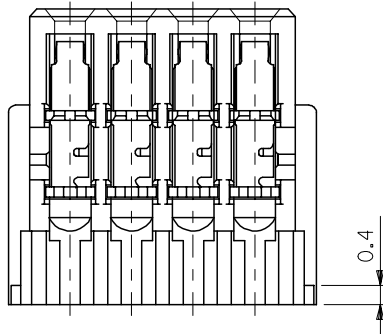
1. 原料および仕上げ : 表参照  
MATERIAL AND FINISH : SEE CHART.

△ 製品番号  
MATERIAL NO.  
54596-\*\*\*1\*

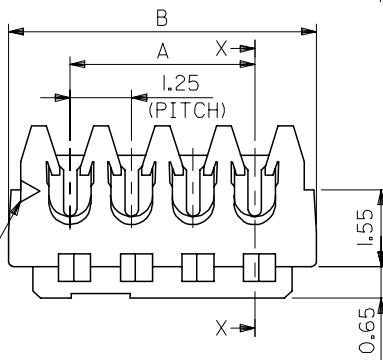
極数	CIRCUIT SIZE(02-20)	色	COLOR	10	12	13	NATURAL	RED	YELLOW



トレードマーク  
TRADE MARK



SECTION X-X



26.25	23.75	20	54596-201*
25	22.5	19	54596-191*
23.75	21.25	18	54596-181*
22.5	20	17	54596-171*
21.25	18.75	16	54596-161*
20	17.5	15	54596-151*
18.75	16.25	14	54596-141*
17.5	15	13	54596-131*
16.25	13.75	12	54596-121*
15	12.5	11	54596-111*
13.75	11.25	10	54596-101*
12.5	10	9	54596-091*
11.25	8.75	8	54596-081*
10	7.5	7	54596-071*
8.75	6.25	6	54596-061*
7.5	5	5	54596-051*
6.25	3.75	4	54596-041*
5	2.5	3	54596-031*
3.75	1.25	2	54596-021*

54596-\*\*\*1\*

B	A	極数	製品番号	MODEL NO.
		CIRCUIT SIZE	MATERIAL NO.	

WIRE RANGE 適用電線範囲	AWG #26,#28
WIRE RANGE 被覆外径	φ0.8~φ0.9

REVISED EC NO: J2005-2687 DRWN: HOSOKAWA CHKD: TOYODA APPR: NUKITA	GENERAL TOLERANCES (UNLESS SPECIFIED)	DIMENSION STYLE MM ONLY	SCALE 10:1	DESIGN UNITS METRIC	THIRD ANGLE PROJECTION
	10 UNDER ±0.2	DRAWN BY HTAKASE	DATE '99/04/29	TITLE SMALL M12 REC. ASS'Y(SN)	
	10 OVER 30 UNDER ±0.25	CHECKED BY YIITO	DATE	MOLEX INCORPORATED	
	30 OVER ±0.3	APPROVED BY HIKESUGI	DATE	DOCUMENT NO. SD-54596-004	SHEET NO. 1 OF 1
	ANGULAR ±3 °	MATERIAL NO. SEE CHART	DATE		

DRAFT WHERE APPLICABLE MUST REMAIN WITHIN DIMENSIONS		SIZE A3		THIS DRAWING CONTAINS INFORMATION THAT IS PROPRIETARY TO MOLEX INCORPORATED AND SHOULD NOT BE USED WITHOUT WRITTEN PERMISSION	
--	--	------------	--	--	--