

**PLEASE CHECK WWW.MOLEX.COM FOR LATEST PART INFORMATION**

**Part Number:** [0681450821](#)  
**Status:** **Active**  
**Description:** 2.50mm (.098") Pitch Wire-to-Board Header, 1.02mm (.040") Tab Type, Right Angle, 8 Circuits, Black

**Documents:**

[3D Model](#) [Product Specification PS-68145-002 \(PDF\)](#)  
[Drawing \(PDF\)](#) [RoHS Certificate of Compliance \(PDF\)](#)

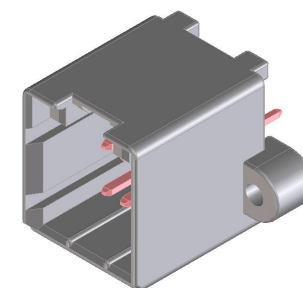
**General**

Product Family	PCB Headers
Series	<a href="#">68145</a>
Application	Wire-to-Board
Product Name	N/A

**Physical**

Breakaway	No
Circuits (Loaded)	8
Circuits (maximum)	8
Color - Resin	Black
Durability (mating cycles max)	50
First Mate / Last Break	No
Glow-Wire Compliant	No
Guide to Mating Part	No
Keying to Mating Part	None
Lock to Mating Part	Yes
Material - Metal	Brass
Material - Plating Mating	Tin
Material - Plating Termination	Tin
Material - Resin	Polyester
Number of Rows	2
Orientation	Right Angle
PC Tail Length (in)	0.157 In
PC Tail Length (mm)	4.00 mm
PCB Locator	No
PCB Retention	Yes
PCB Thickness Recommended (in)	0.047 In
PCB Thickness Recommended (mm)	1.20 mm
Packaging Type	Tray
Pitch - Mating Interface (in)	0.098 In
Pitch - Mating Interface (mm)	2.50 mm
Pitch - Term. Interface (in)	0.098 In
Pitch - Term. Interface (mm)	2.50 mm
Plating min: Mating (µin)	32
Plating min: Mating (µm)	0.8
Plating min: Termination (µin)	32
Plating min: Termination (µm)	0.8
Polarized to Mating Part	Yes
Polarized to PCB	Yes
Shrouded	Closed Ends
Stackable	No
Surface Mount Compatible (SMC)	No
Temperature Range - Operating	-30°C to +85°C
Termination Interface: Style	Through Hole

**Electrical**



*Series*

*image - Reference only*

**EU RoHS**

**ELV and RoHS Compliant**  
**REACH SVHC**  
 Not Reviewed  
**Halogen-Free Status**

**China RoHS**



**Need more information on product environmental compliance?**

Email [productcompliance@molex.com](mailto:productcompliance@molex.com)  
 For a multiple part number RoHS Certificate of Compliance, [click here](#)

Please visit the [Contact Us](#) section for any non-product compliance questions.

**Search Parts in this Series**

[68145Series](#)

**Mates With**

[68508 Crimp Housing](#)

Current - Maximum per Contact  
Voltage - Maximum

5A  
13V DC (RMS)

**Material Info**

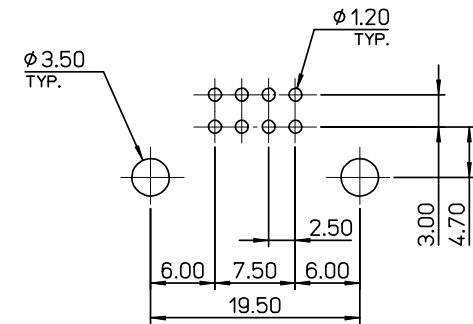
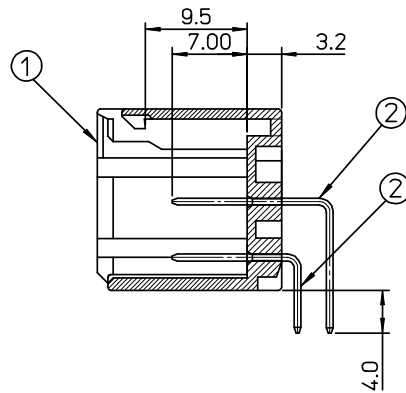
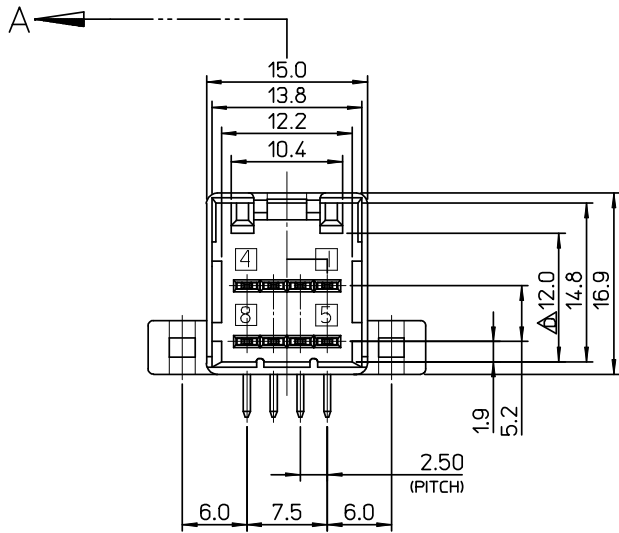
**Reference - Drawing Numbers**

Product Specification  
Sales Drawing

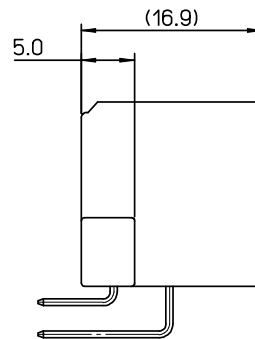
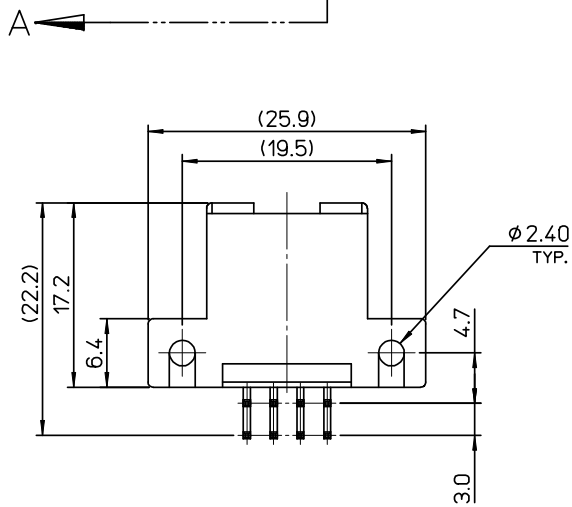
PS-68145-002  
SD-68145-308

This document was generated on 04/07/2010

**PLEASE CHECK [WWW.MOLEX.COM](http://WWW.MOLEX.COM) FOR LATEST PART INFORMATION**



RECOMMENDED P.C.B HOLD DIM.(MOUNT SIDE)



NOTES

1. APPLICABLE FEMALE HOUSING : 68508-081\*

NO.	DESCRIPTION	MATERIAL	REMARK
1	HOUSING	POLYESTER, G/F 15%	UL94HB
2	PIN(L)	BRASS	PRE-TIN PLATED
3	PIN(S)		

NO.	ENG NO.	MATERIAL NO.	REMARK
1	68145-0821	681450821	BLACK
2	68145-0825	681450825	GRAY
3	68145-0826	681450826	WHITE

REVISED	EC NO: KOR2008-0116	2008/01/31
	DRW:NEOKIM	2008/02/14
	CHKD:BCYOON	2008/02/14
	APPR:YUNSIKKIM	2008/02/14

QUALITY SYMBOLS	DESCRIPTION
▽=0	
▽=0	

GENERAL TOLERANCES (UNLESS SPECIFIED)	
mm	INCH
4 PLACES ± ---	± ---
3 PLACES ± ---	± ---
2 PLACES ± 0.25	± ---
1 PLACE ± 0.30	± ---
ANGULAR ± 1 °	
DRAFT WHERE APPLICABLE MUST REMAIN WITHIN DIMENSIONS	

DIMENSION STYLE		SCALE	DESIGN UNITS	THIRD ANGLE PROJECTION
MM ONLY		2:1	METRIC	☉
DRAWN BY	DATE	TITLE		
BCYOON	2002/08/05	040 WIRE TO BOARD CONN. 8P HEADER ASS'Y-R/A(HZT)		
CHECKED BY	DATE	MOLEX INCORPORATED		
YSIKKIM	2002/08/05	SD-68145-308		
APPROVED BY	DATE	SHEET NO.		
CWLEE	2002/08/05	1 OF 1		
MATERIAL NO.		DOCUMENT NO.		
SEE TABLE		SD-68145-308		

MATERIAL NO.		DOCUMENT NO.		SHEET NO.
SEE TABLE		SD-68145-308		1 OF 1
THIS DRAWING CONTAINS INFORMATION THAT IS PROPRIETARY TO MOLEX INCORPORATED AND SHOULD NOT BE USED WITHOUT WRITTEN PERMISSION				